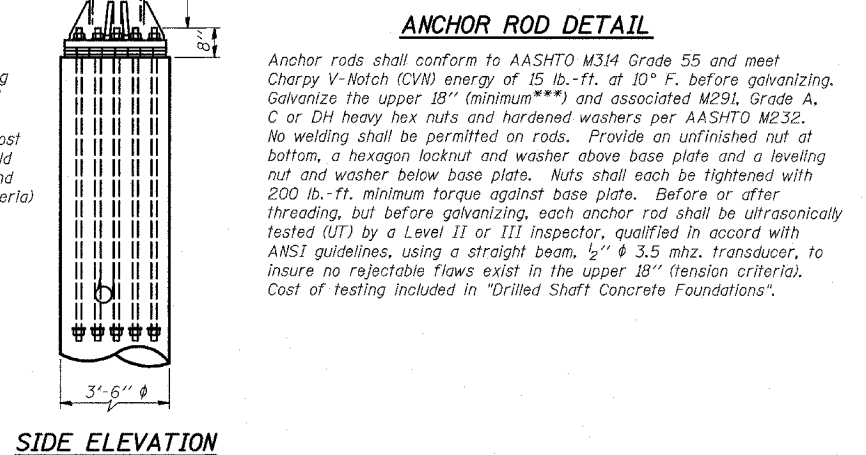
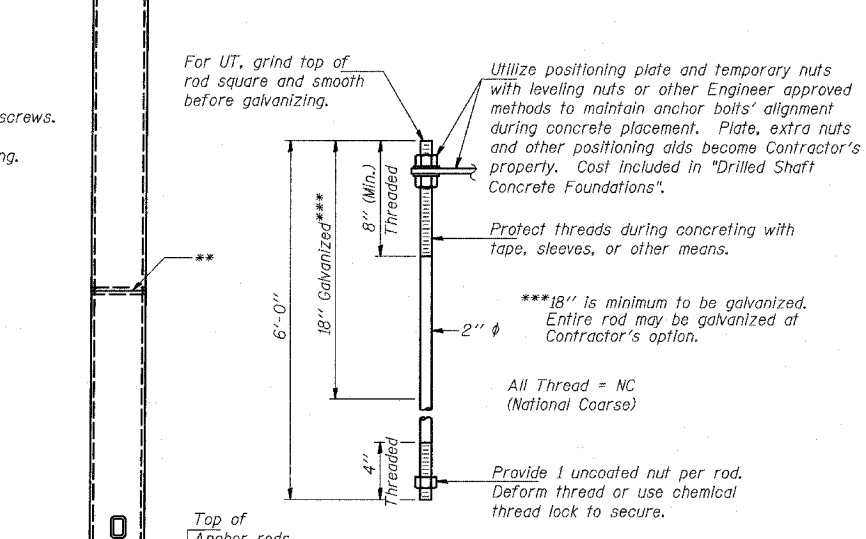
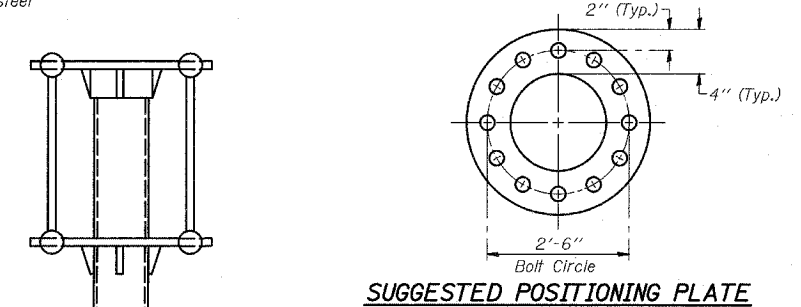


Structure Number	Station	H
1C0161094L062.4	2228+81	16.5'



NUMBER	REVISION	DATE

OSC-A-5 11/1/2002