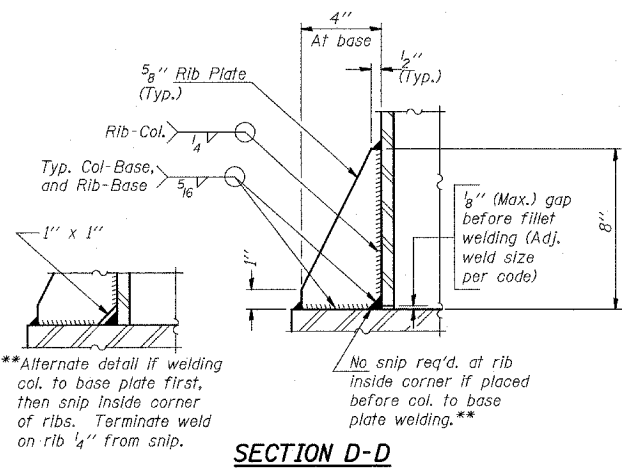
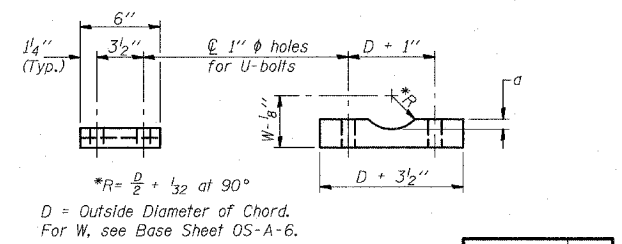


SECTION B-B



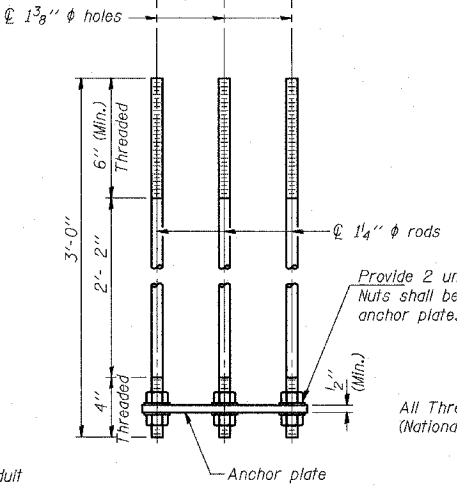
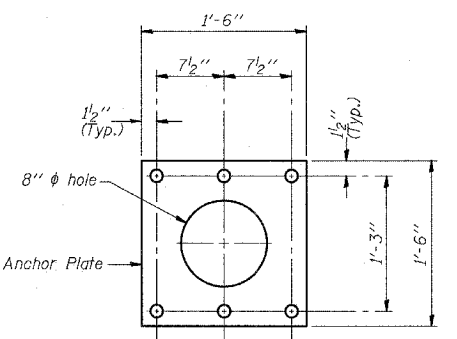
SECTION D-D



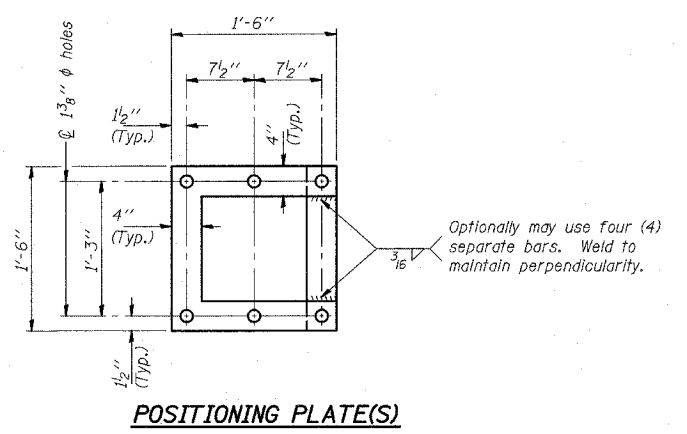
SADDLE SHIM DETAIL

ASTM B26 Alloy 356-F
or
ASTM B209 Alloy 6061-T651
(4 required per sign truss)

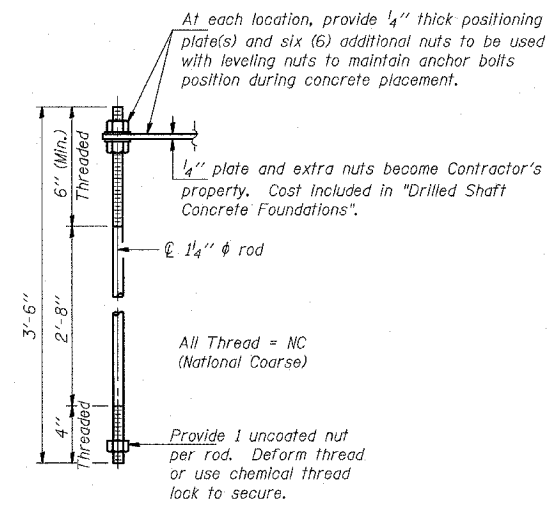
Truss Chord Nominal Dia.	a
5"	3/4"
5 1/2"	13/16"
6"	7/8"
6 1/2"	15/16"
7"	1"



ANCHOR ROD DETAIL
Spread Footing Foundation



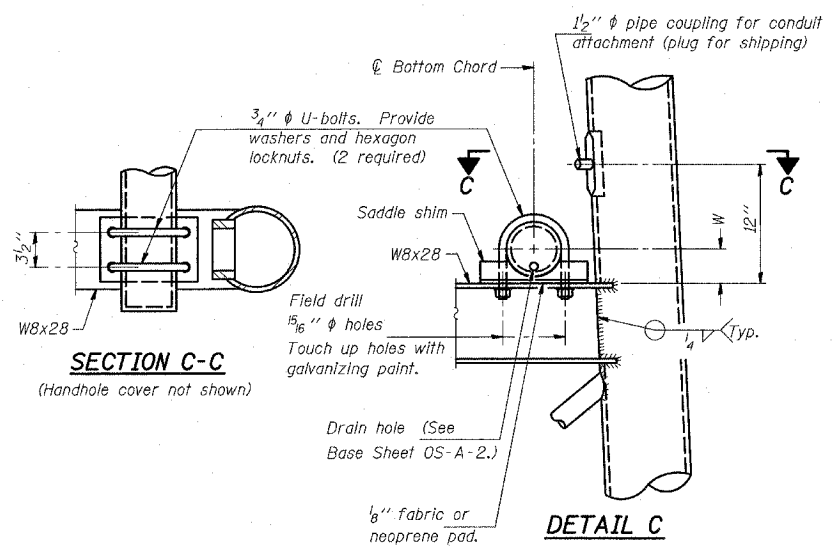
POSITIONING PLATE(S)



ANCHOR ROD DETAIL
Drilled Shaft Foundation

Anchor rods shall conform to AASHTO M314 Grade 36 or 50 and meet Charpy V-Notch (CVN) energy of 15 lb.-ft. at 40° F. Galvanize upper 12" per AASHTO M232. No welding shall be permitted on rods.

10" ϕ PIPE SUPPORT FRAME DETAILS



SECTION C-C
(Handhole cover not shown)

DETAIL C

NUMBER	REVISION	DATE

DESIGNED		20
CHECKED		
DRAWN		
CHECKED		

OS-A-6A 11/1/2002

REVISIONS	
NAME	DATE