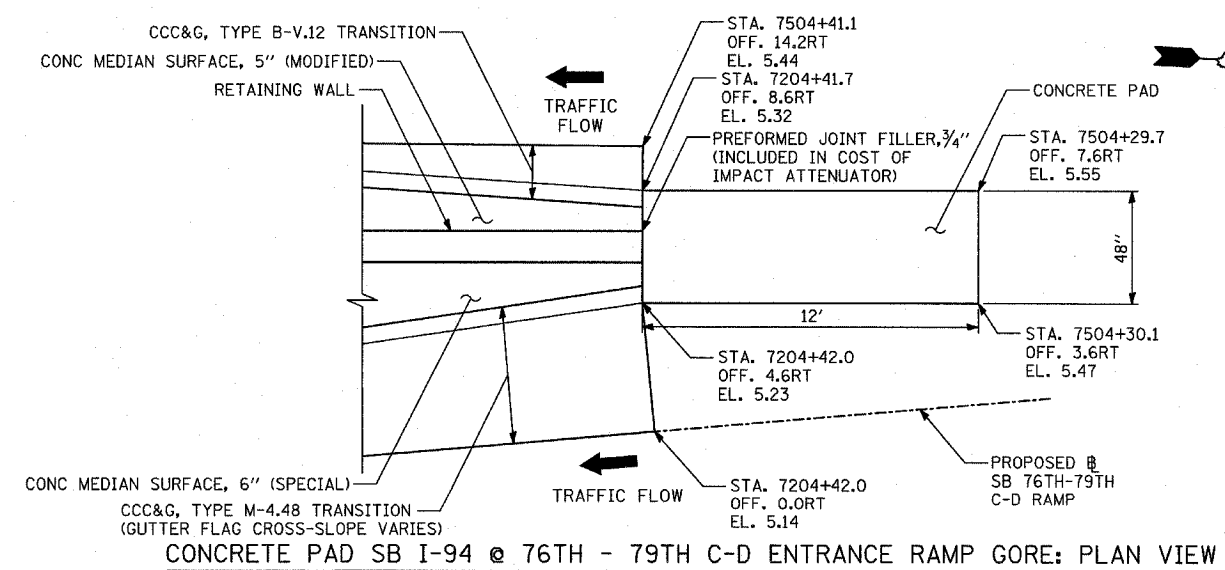
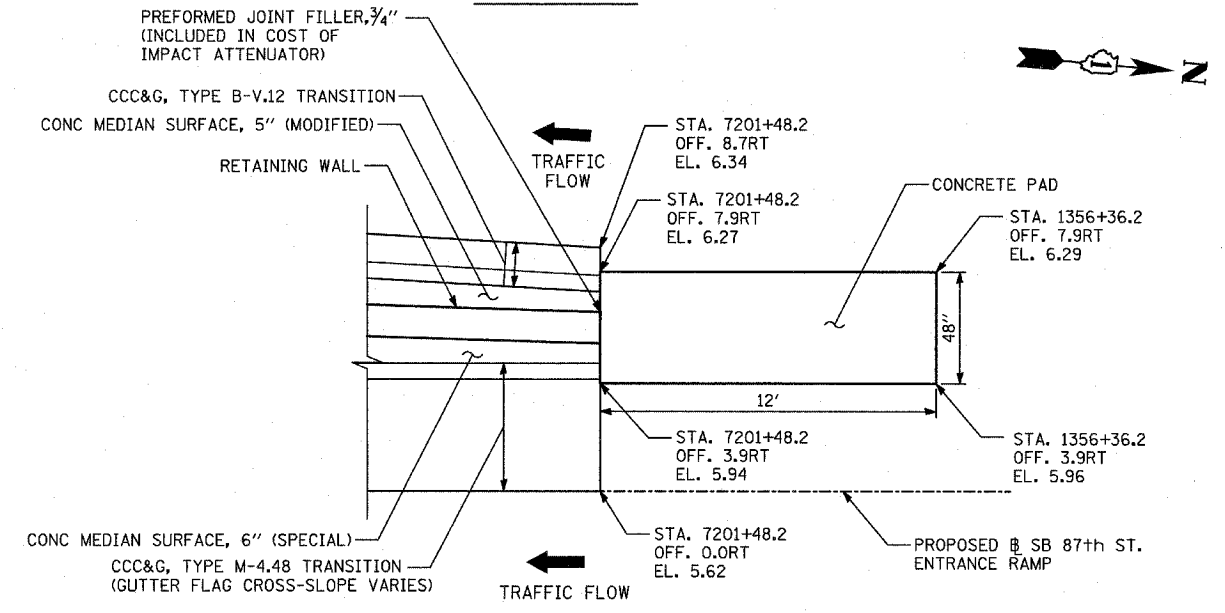
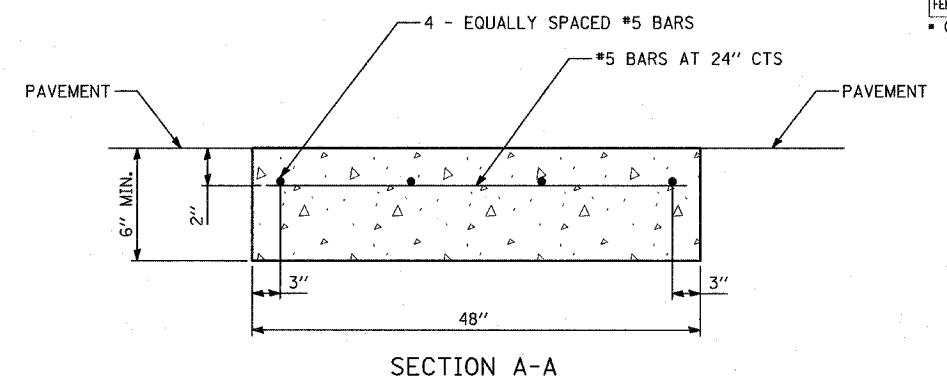
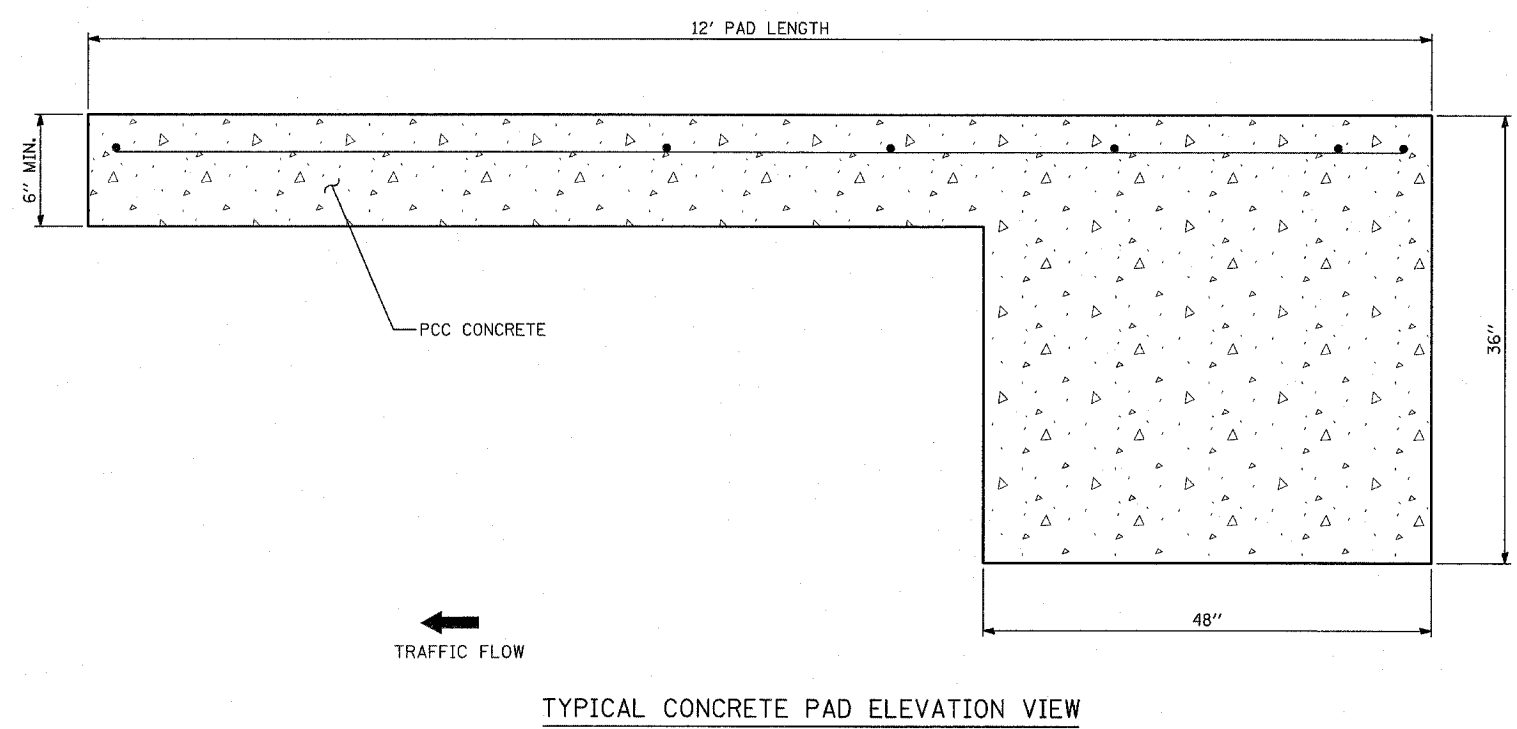
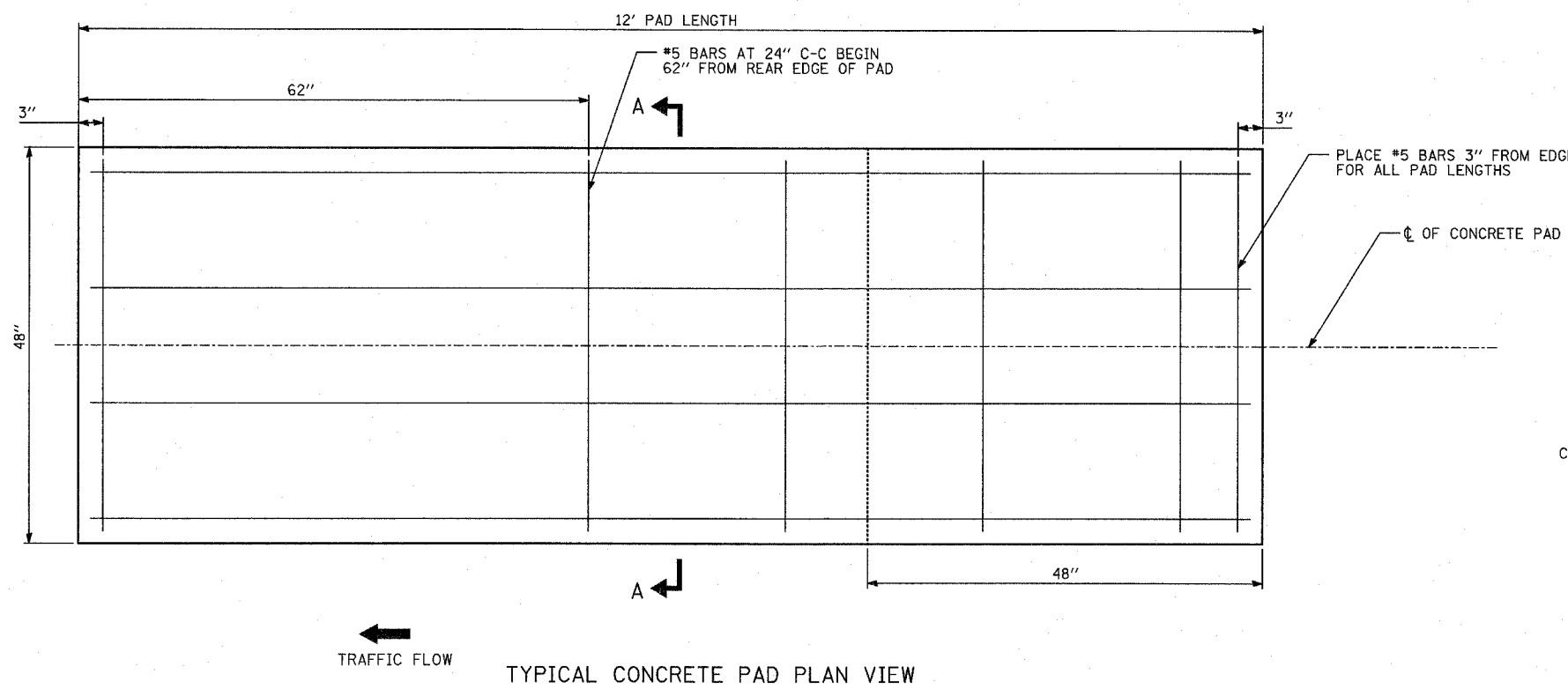


F.A.I. RTE.	SECTION	COUNTY	TOTAL SHEETS	SHEET NO.
94		COOK	907	105
STA. 1200+00.00		TO STA. 1365+00		
FED. ROAD DIST. NO.	ILLINOIS	FED. AID PROJECT		
				62695



NOTE: CONCRETE PAD DRAWING INCLUDED FOR INFORMATIONAL PURPOSES ONLY. THE PAD FOR A 3 BAY QUADGUARD SYSTEM IS DEPICTED. EXACT DIMENSIONS MUST COMPLY WITH THE MANUFACTURER'S REQUIREMENTS FOR SPECIFIED PAY ITEM: IMPACT ATTENUATOR (FULLY REDIRECTIVE, NARROW) TEST LEVEL 2

TYLIN INTERNATIONAL

REVISIONS	
NAME	DATE

ILLINOIS DEPARTMENT OF TRANSPORTATION  
F.A.I. 94 (DAN RYAN EXPRESSWAY)

DETAIL OF CONCRETE PAD  
FOR IMPACT ATTENUATOR (FULLY REDIRECTIVE, NARROW) TEST LEVEL 2

SCALE: NONE  
DATE: MARCH 25, 2005

DRAWN BY: MPG  
CHECKED BY: TGB