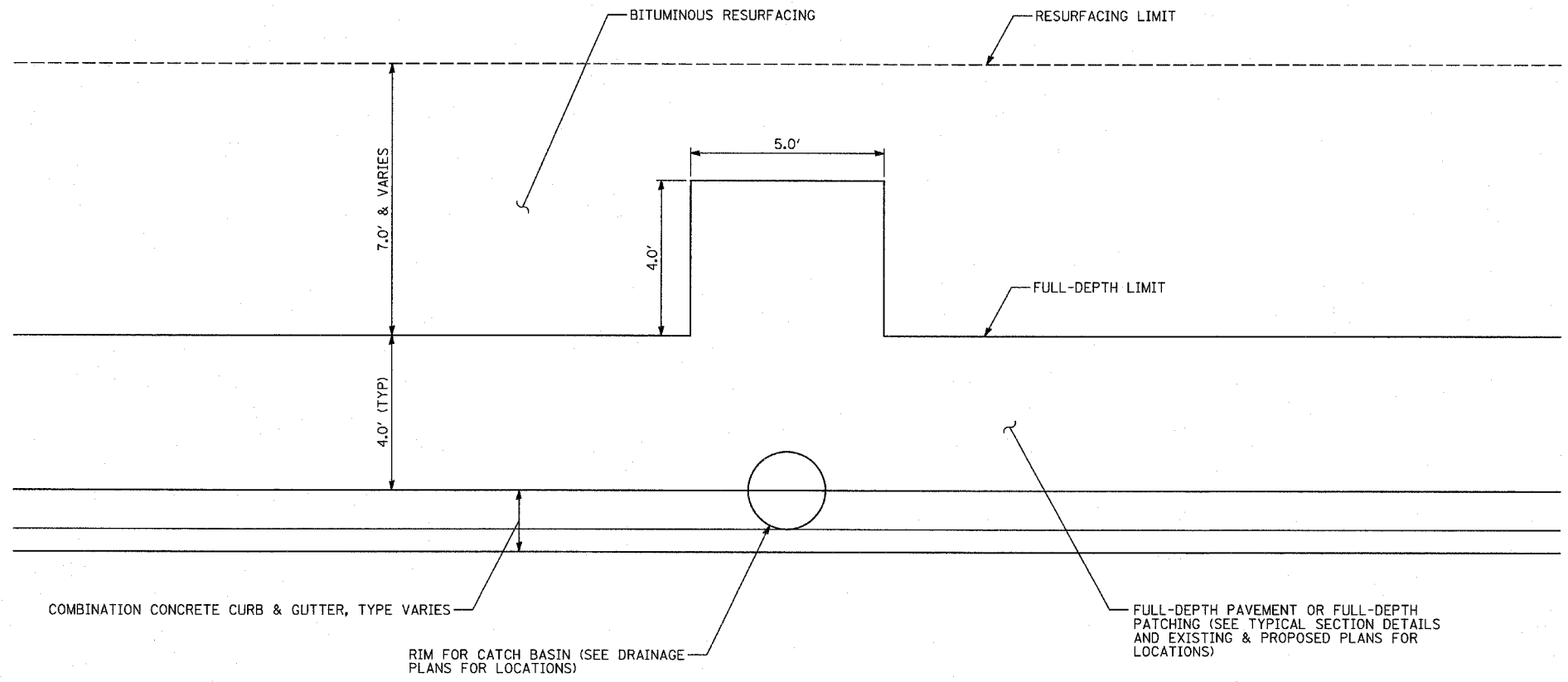


F.A.I. RTE.	SECTION	COUNTY	TOTAL SHEETS	SHEET NO.
94	*	COOK	907	109
STA. 1200+00.00		TO STA. 1365+00		
FED. ROAD DIST. NO.	ILLINOIS	FED. AID PROJECT		
• (1516.1, 1717 & 1818) R-9				62695



NOTE: LOCATION OF ADDITIONAL PAVEMENT IN RELATION TO CATCH BASIN LOCATION IS DETERMINED BY THE ORIENTATION OF THE EXISTING SEWER UNDER THE FRONTAGE ROAD.  
 ACTUAL DIMENSIONS ARE TO BE DETERMINED BY THE RESIDENT ENGINEER ON A CASE BY CASE BASIS.

TYLIN INTERNATIONAL

REVISIONS	
NAME	DATE

ILLINOIS DEPARTMENT OF TRANSPORTATION  
 F.A.I. 94 (DAN RYAN EXPRESSWAY)  
 DETAIL OF ADDITIONAL PAVEMENT  
 REMOVAL AND REPLACEMENT  
 FOR SEWER INSTALLATION  
 SCALE: NONE  
 DATE: MARCH 25, 2005  
 DRAWN BY: MPG  
 CHECKED BY: TGB

03/30/2005 02:00:18 PM