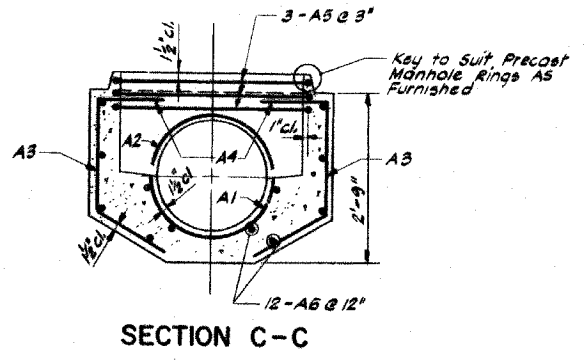
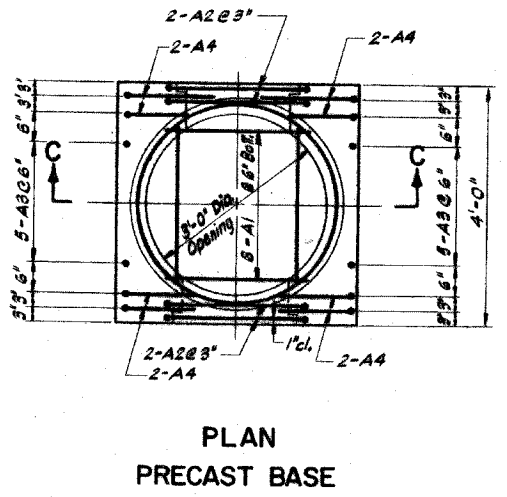
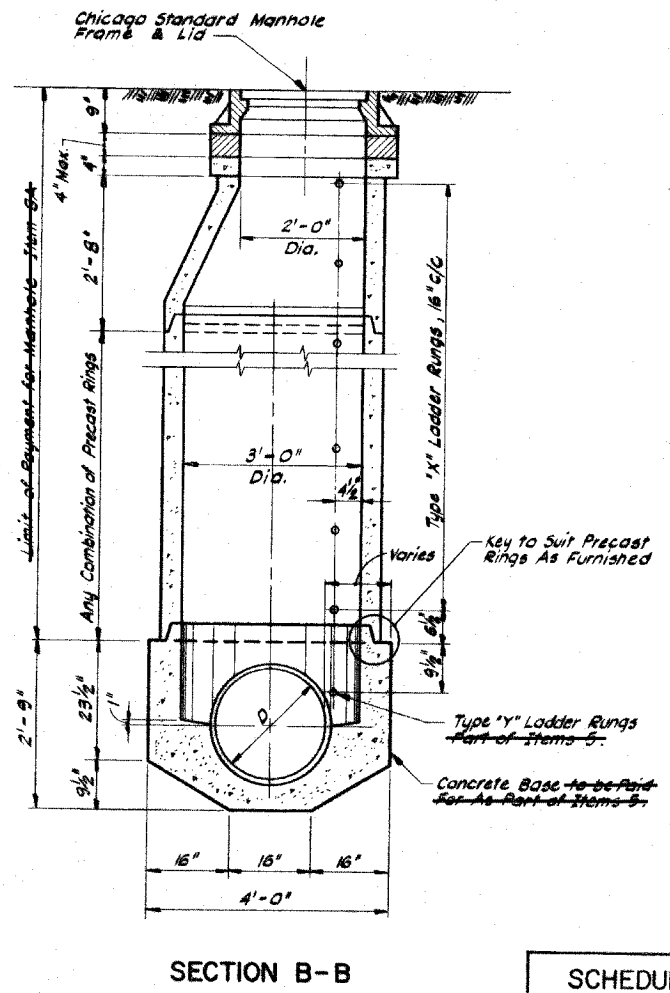
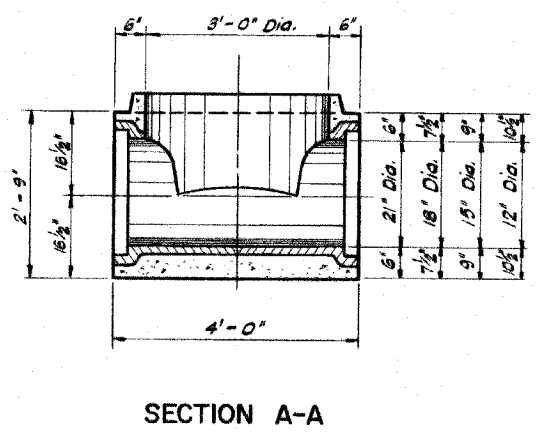
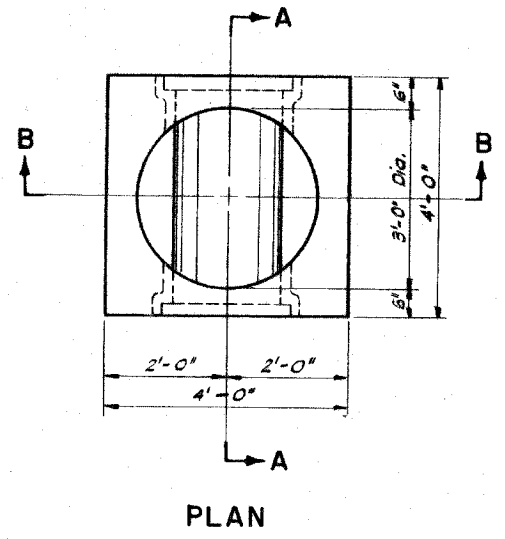


of



SCHEDULE OF REINFORCEMENT - PART OF ITEMS 5																				
STRUCTURE	REINFORCEMENT BAR					BENDING DIMENSIONS														
	MARK NO.	SIZE	TYPE	LENGTH	NO. REIN.	WEIGHT - LBS. EACH	TOTAL	A	B	C	D	E	F	G	H	J	K	O	R	
21" DIA.	21A1	6	9	3'-1"	6	4.63	28		3'-1"							11 1/2"		2'-1"	12 1/2"	
	21A2	6	73	8'-8"	4	13.02	52											2'-0"	2'-10"	
	21A3	5	12	3'-3"	10	3.39	34			22"	17"					14 1/2"		8 1/2"		
	21A4	5	12	4'-6"	8	4.69	38		15"	22"	17"					14 1/2"		8 1/2"		
	21A5	5	73	11'-11"	3	12.43	37											20"	3'-3 1/2"	
	21A6	4	STR	3'-8"	12	2.45	30													
	TOTAL						219													
18" DIA.	18A1	6	9	2'-8 1/2"	6	4.07	24		2'-8 1/2"							9 1/2"		22"	11 1/2"	
	18A2	6	73	7'-10"	4	11.83	47											2'-0"	22 1/2"	
	TOTAL						71													
15" DIA.	15A1	6	9	2'-3 1/2"	6	3.44	21		23 1/2"							8 1/2"		19"	9 1/2"	
	15A2	6	73	7'-1"	4	10.64	42											2'-0"	19 1/2"	
TOTAL						63														
12" DIA.	12A1	6	9	1'-11"	6	2.88	17		23"							6 1/2"		16"	8 1/2"	
	12A2	6	73	6'-1"	4	9.14	37											2'-0"	16 1/2"	
TOTAL						54														

CITY OF CHICAGO
DEPARTMENT OF WATER MANAGEMENT
BUREAU OF ENGINEERING SERVICES

**TYPE "A" PRECAST MANHOLE
FOR SEWERS 21" DIA. & SMALLER**

SCALE: 3/4" = 1'-0"

CONTRACT SHEET NO.

DRAWN BY B. MARLONSKI
DESIGNED BY A. A.
CHECKED BY A. A.

NOTE: THESE DRAWINGS ARE FOR INFORMATIONAL PURPOSES ONLY. ALL REFERENCES TO PAY ITEMS OR PAY LIMITS SHOULD BE IGNORED. SEE SPECIAL PROVISIONS FOR PAY ITEMS.

REVISIONS	
NAME	DATE

ILLINOIS DEPARTMENT OF TRANSPORTATION
F.A.I. 94 (DAN RYAN EXPRESSWAY)

CITY OF CHICAGO
DEPARTMENT OF WATER MANAGEMENT
SEWER RELOCATION DETAIL
(SHEET 1 OF 9)

SCALE: NONE
DATE: MARCH 25, 2005

DRAWN BY: MB
CHECKED BY: MPG

TYLIN INTERNATIONAL