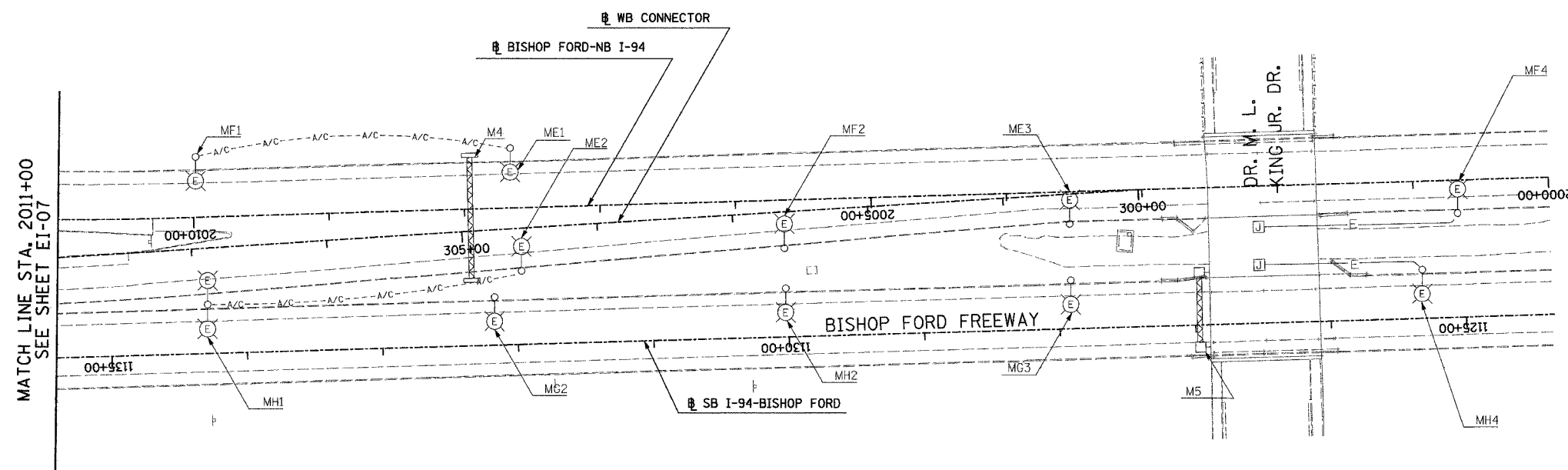


F.A.I. RTE.	SECTION	COUNTY	TOTAL SHEETS	SHEET NO.
94	*	COOK	907	367
STA. 2011+00.00 TO STA. 2000+00.00				
FED. ROAD DIST. NO.	ILLINOIS	FED. AID PROJECT		
* (1516.1,1717 & 1818) R-9		62695		

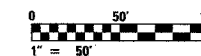


- NOTES:
- SEE DRAWINGS EI-100 AND EI-101 FOR ELECTRICAL SYMBOLS AND ABBREVIATIONS.



NO ELECTRICAL WORK ON THIS SHEET FOR REFERENCE ONLY

SINGH 300 W. ADAMS ST.
CHICAGO, IL 60606
SINGH & ASSOCIATES, INC. TEL: (312) 629-0240
CONSULTING ENGINEERS FAX: (312) 629-8449



17B/EI-08

REVISIONS	
NAME	DATE
REVISED	5/06/05

ILLINOIS DEPARTMENT OF TRANSPORTATION
F.A.I. 94 (DAN RYAN EXPRESSWAY)

ELECTRICAL INFRASTRUCTURE PLANS
PROPOSED IMPROVEMENTS

SCALE: 1"=50'
DATE: MARCH 25, 2005

DRAWN BY: VG
CHECKED BY: TM

5/16/2005 10:55:55 AM