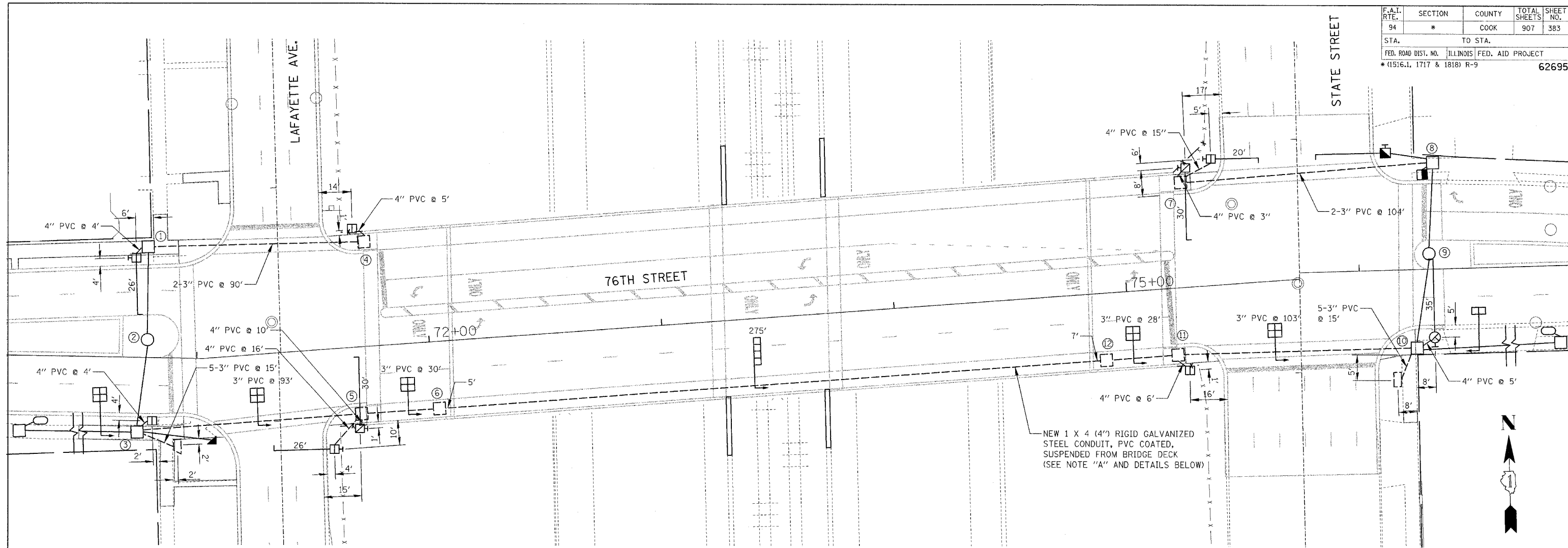


F.A.I. RTE.	SECTION	COUNTY	TOTAL SHEETS	SHEET NO.
94	*	COOK	907	383
STA.		TO STA.		
FED. ROAD DIST. NO.		ILLINOIS FED. AID PROJECT		
*(1516.1, 1717 & 1818) R-9		62695		

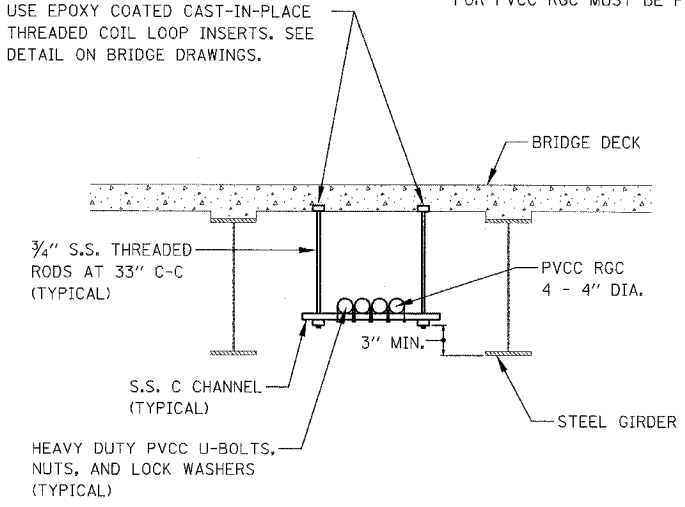


NEW 1 X 4 (4") RIGID GALVANIZED STEEL CONDUIT, PVC COATED, SUSPENDED FROM BRIDGE DECK (SEE NOTE "A" AND DETAILS BELOW)

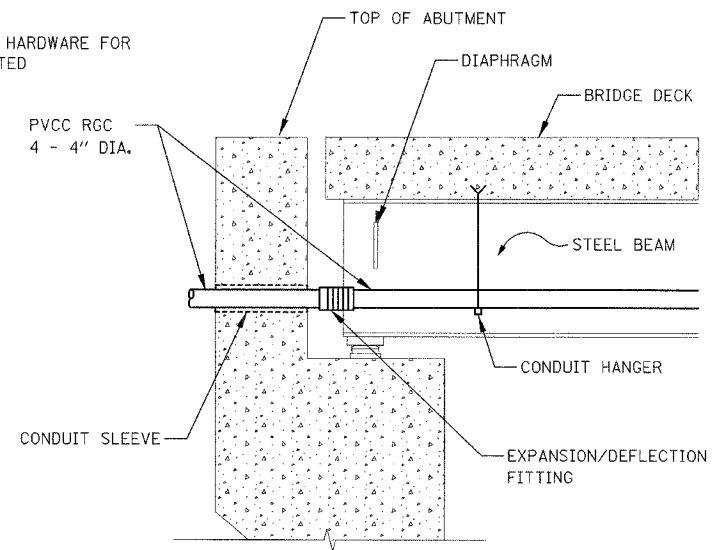
HANDHOLE/MANHOLE SCHEDULE				
NO.	WORK TYPE	LOCATION	SIZE	F&G
1	ADJ.	70+77.5, 47.0' LT	3' X 4' X 4'	24"
2	ADJ.	70+79, 8.0' LT	30" DIA.	24"
3	ADJ.	70+77.5, 32.0' RT	3' X 4' X 4'	24"
4	NEW	71+74, 45.0' LT	3' X 4' X 4'	24"
5	NEW	71+68, 29.0' RT	3' X 4' X 4'	24"
6	NEW	72+01, 29.0' RT	3' X 4' X 4'	24"
7	NEW	75+26.5, 45.0' LT	3' X 4' X 4'	24"
8	ADJ.	76+29, 46.5' LT	3' X 4' X 4'	24"
9	ADJ.	76+30, 7.0' LT	30" DIA.	24"
10	ADJ.	76+26, 31.0' RT	3' X 4' X 4'	24"
11	NEW	75+21, 29.0' RT	3' X 4' X 4'	24"
12	NEW	74+91, 29.0' RT	3' X 4' X 4'	24"

USE EPOXY COATED CAST-IN-PLACE THREADED COIL LOOP INSERTS. SEE DETAIL ON BRIDGE DRAWINGS.

ALL MOUNTING AND INSTALLATION HARDWARE FOR FOR PVCC RGC MUST BE PVC COATED



TYPICAL CONDUIT SUPPORT ATTACHED TO BRIDGE DECK DETAIL  
NOT TO SCALE

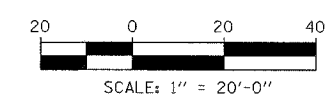


CONDUIT INSTALLATION THROUGH 76TH STREET WEST ABUTMENT WALL  
NOT TO SCALE

**NOTE "A"**  
CONTRACTOR TO PROVIDE CONCRETE INSERTS, CAST INTO THE BRIDGE DECK, AS REQUIRED FOR THE CONDUIT SUPPORT SYSTEM EVERY 4'. THIS WORK SHALL BE COORDINATED WITH THE BRIDGE CONTRACTOR. ALL WORK REQUIRED FOR A COMPLETE CONDUIT SUPPORT SYSTEM SHALL BE PAID FOR AT THE CONTRACT UNIT PRICE PER LUMP SUM FOR "CONDUIT SUPPORT SYSTEM".

**NOTE "B"**  
ALL TRAFFIC SIGNALS SHALL BE INSTALLED IN ACCORDANCE WITH THE RECOMMENDATIONS SET BY THE CITY OF CHICAGO, BUREAU OF TRAFFIC.

**NOTE "C"**  
EXISTING CONDUIT THAT CONFLICTS WITH THE INSTALLATION OF PROPOSED CONDUIT SHALL BE REMOVED AND DISPOSED OF BY THE CONTRACTOR. THE REMOVAL AND DISPOSAL OF THE EXISTING CONDUIT SHALL NOT BE PAID FOR SEPARATELY, BUT SHALL BE CONSIDERED INCLUDED IN THE CONTRACT UNIT PRICE OF THE PROPOSED CONDUIT. NO ADDITIONAL COMPENSATION WILL BE ALLOWED.



REVISIONS		ILLINOIS DEPARTMENT OF TRANSPORTATION	
NAME	DATE	F.A.I. 94 (DAN RYAN EXPRESSWAY)	
		76TH STREET AT LAFAYETTE AVE. & STATE ST.	
		PROPOSED FOUNDATION & CONDUIT PLAN	
		SCALE: AS SHOWN	DRAWN BY: BSB
		DATE: MARCH 25, 2005	CHECKED BY: WHI
REVISION	04/15/05		

FILE: L:\6532\22\Coor\Drawings\Revised\76th\04-15-05\6532\_22\Revised.dwg

