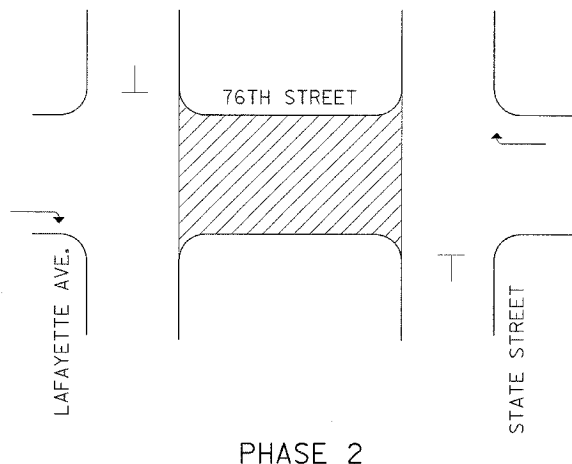
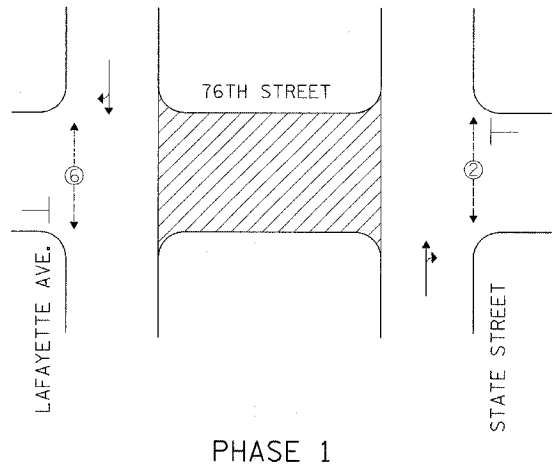
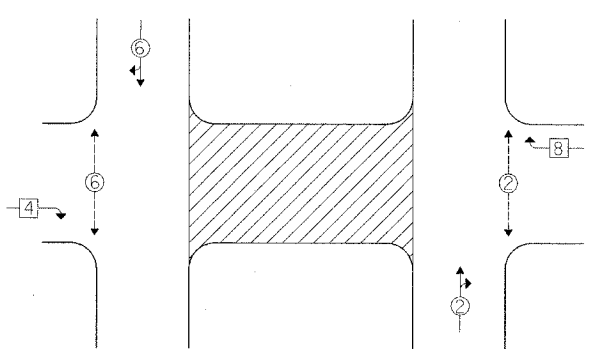


F.A.I. RTE.	SECTION	COUNTY	TOTAL SHEETS	SHEET NO.
94	*	COOK	907	288
STA.	TO STA.			
FED. ROAD DIST. NO.	ILLINOIS	FED. AID PROJECT		
* (1516.J, 1717 & 1818) R-9			62695	



CONTROLLER SEQUENCE



TEMPORARY PHASE DESIGNATION DIAGRAM

LEGEND

- ←□→ SINGLE ENTRY PHASE
- ←○→ DUAL ENTRY PHASE
- ←○→ PEDESTRIAN MOVEMENT
- NUMBER REFERS TO ASSOCIATED PHASE

FILE: L:\6592\21\COV\SPRINT\Roadway\Traffic\Signals\6592\Design\Txdm



REVISIONS	
NAME	DATE

ILLINOIS DEPARTMENT OF TRANSPORTATION
 F.A.I. 94 (DAN RYAN EXPRESSWAY)
 76TH STREET AT
 LAFAYETTE AVE. & STATE ST.
 TEMPORARY SEQUENCING AND
 PHASING DIAGRAMS

SCALE: NONE DRAWN BY: BSB
 DATE: MARCH 25, 2005 CHECKED BY: WHI