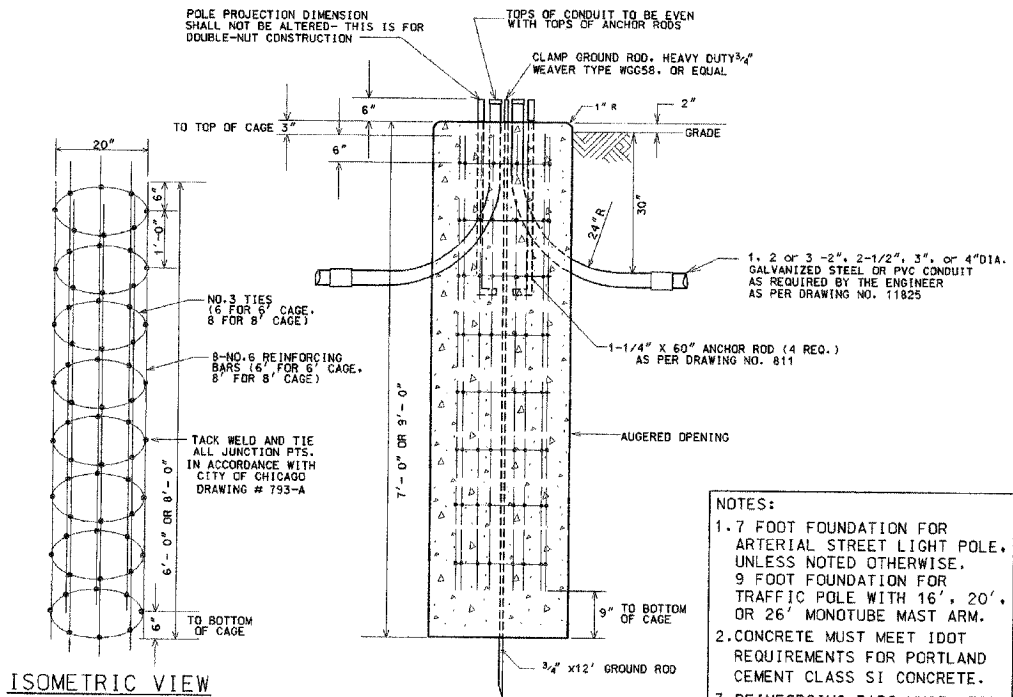
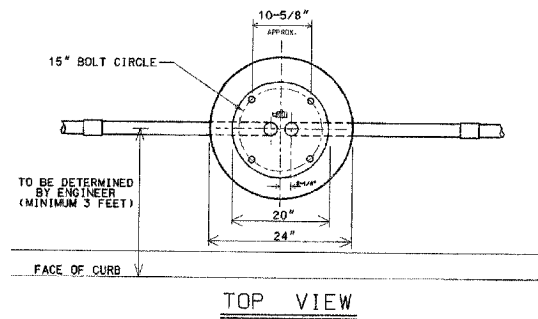


F.A.I. RTE.	SECTION	COUNTY	TOTAL SHEETS	SHEET NO.
94	*	COOK	907	400
STA.		TO STA.		
FED. ROAD DIST. NO.		ILLINOIS	FED. AID PROJECT	
*(1516.1, 1717 & 1818) R-9		62695		



- NOTES:**
- 1.7 FOOT FOUNDATION FOR ARTERIAL STREET LIGHT POLE, UNLESS NOTED OTHERWISE. 9 FOOT FOUNDATION FOR TRAFFIC POLE WITH 16', 20', OR 26' MONOTUBE MAST ARM.
  - CONCRETE MUST MEET IDOT REQUIREMENTS FOR PORTLAND CEMENT CLASS SI CONCRETE.
  - REINFORCING BARS MUST MEET ASTM A-615 GRADE 60.

NOTE: HOLE FOR FOUNDATION MUST BE AUGURED IN UNDISTURBED SOIL

CODE	COMMODITY	SIZE	QUANTITY
05-3267-2940	REDI-MIX CONCRETE	CUL. YD.	0.82 OR 1.05
09-4001-	ELBOW, LARGE RADIUS	2", 2-1/2", 3", 4"	VARIES
37-8180-0200	ANCHOR ROD	1-1/4" X 60"	4
05-5054-6910	RE-BAR CAGE	20" X 6" (OR 8')	1
09-7796-9200	GROUND ROD	3/4" X 12'-0"	1
09-2636-3240	GROUND ROD CLAMP	3/4"	1
09-2092-	GROUND BUSHING	2", 2-1/2", 3" OR 4"	VARIES

8/21/02 SUPERCEDES DWG #818 DRAWN 4/21/81  
 DATE REVISION  
 FOUNDATION FOR 3'-6" ARTERIAL STREET LIGHT OR TRAFFIC SIGNAL POLE - 3 OR 7 GAUGE WITH 15" BOLT CIRCLE  
 CITY OF CHICAGO  
 DEPT. OF STREETS AND SANITATION  
 BUREAU OF ELECTRICITY  
 DIVISION OF ELECTRICAL ENGINEERING  
 DRAFTSMAN: B. GARNSEY, R. CARTER, B. GARNSEY  
 ELECTRICAL DESIGN ENGINEER  
 ENGINEER OF ELECTRICAL ENGINEERING  
 GENERAL SUPERINTENDENT  
 DEPUTY COMMISSIONER  
 SIZE: 11" x 17" SCALE: NONE DATE: 8/21/02  
**818**

REVISIONS		ILLINOIS DEPARTMENT OF TRANSPORTATION F.A.I. 94 (DAN RYAN EXPRESSWAY) CITY OF CHICAGO BUREAU OF ELECTRICITY STANDARDS	
NAME	DATE	SCALE:	DRAWN BY: REW
REVISOR	04/15/05	DATE: MARCH 25, 2005	CHECKED BY: WHI

FILE: L:\65362\02\Cad\Sheet\A\Rev\04\15\05\6536202\_Siglar\07\_Rev\04\15\05.dgn