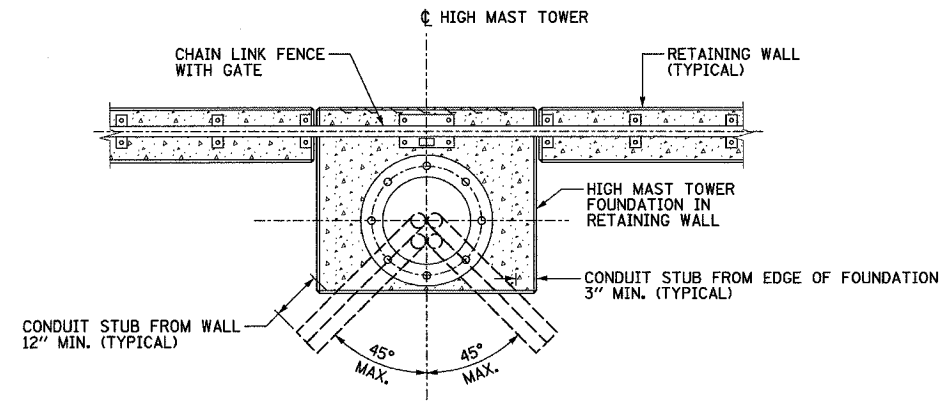
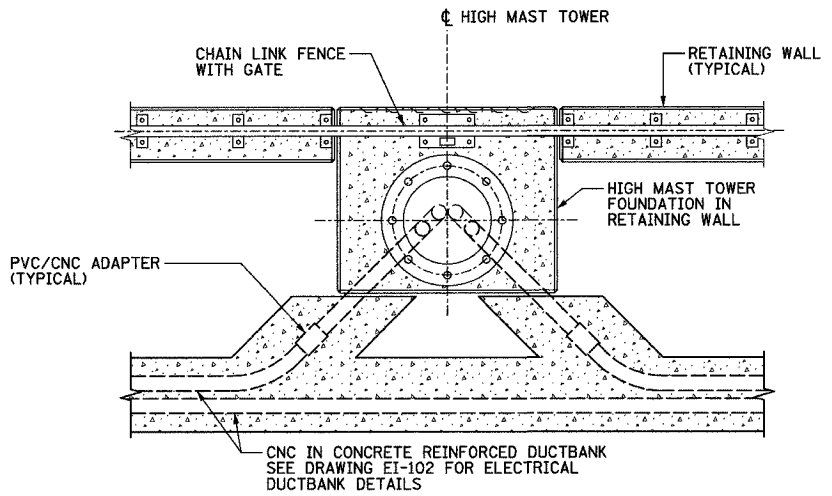


| | | | | |
|---|---------|---------|--------------|-----------|
| F.A.I. RTE. | SECTION | COUNTY | TOTAL SHEETS | SHEET NO. |
| 94 | * | COOK | 907 | 414 |
| STA. | --- | TO STA. | --- | --- |
| FED. ROAD DIST. NO. 1 ILLINOIS FED. AID PROJECT | | | | 62695 |
| * (1516,1,1717 & 1818) R-9 | | | | |

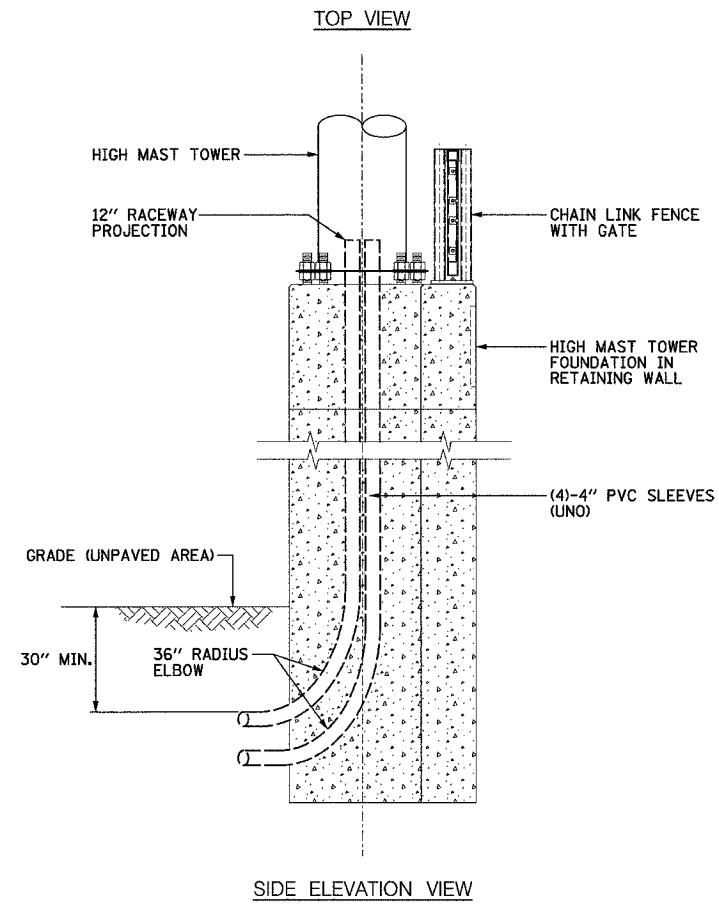


CONDUIT STUB FROM WALL 12\"/>

45° MAX. 45° MAX.



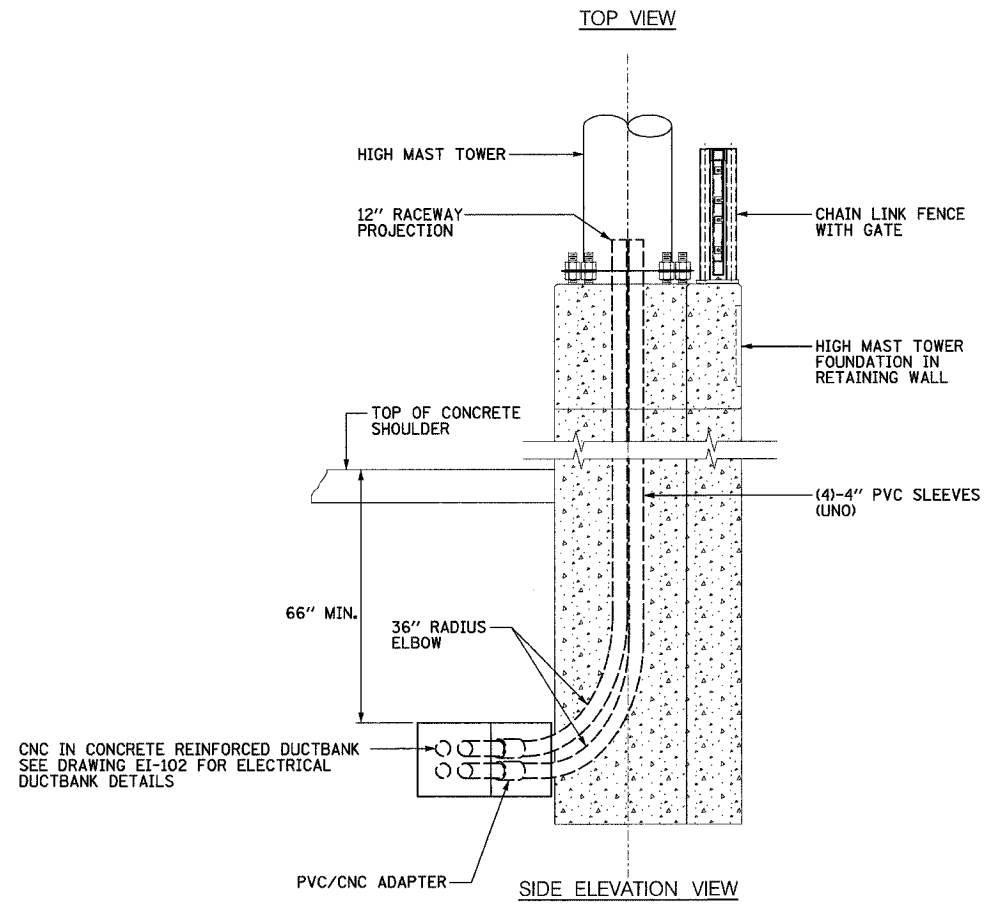
- NOTES:**
- SEE DRAWINGS EI-100 AND EI-101 FOR ELECTRICAL SYMBOLS AND ABBREVIATIONS.
 - SEE PLAN DRAWINGS FOR HIGH MAST LIGHT TOWER FOUNDATION LOCATIONS.



GRADE (UNPAVED AREA)
30\"/>

SIDE ELEVATION VIEW

TYPICAL CONDUIT INSTALLATION DETAIL FOR INSTALLING CONDUIT SLEEVES IN FOUNDATION IN RETAINING WALL
NOT TO SCALE



CNC IN CONCRETE REINFORCED DUCTBANK SEE DRAWING EI-102 FOR ELECTRICAL DUCTBANK DETAILS

SIDE ELEVATION VIEW

TYPICAL CONDUIT INSTALLATION DETAIL FOR INSTALLING CONCRETE DUCTBANK TO FOUNDATION IN RETAINING WALL
NOT TO SCALE



| REVISIONS | |
|-----------|------|
| NAME | DATE |
| | |
| | |
| | |
| | |
| | |
| | |
| | |
| | |
| | |
| | |

ILLINOIS DEPARTMENT OF TRANSPORTATION
F.A.I. 90/94 (DAN RYAN EXPRESSWAY)

CONDUIT INSTALLATION DETAILS FOR LIGHT TOWER FOUNDATIONS MOUNTED ON RETAINING WALLS

SCALE: NOT TO SCALE DRAWN BY: CJM
DATE: FEB. 25, 2005 CHECKED BY: BMW

17B/EI-104

17B contract 17b details 09/04/2005 10:51:23 AM