

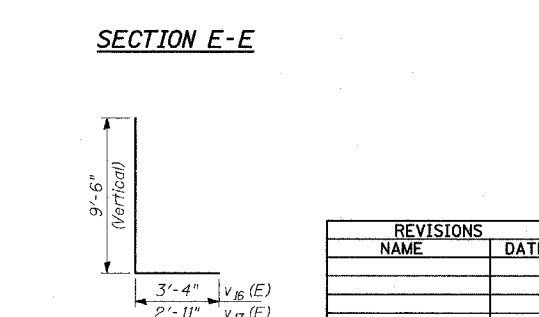
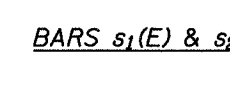
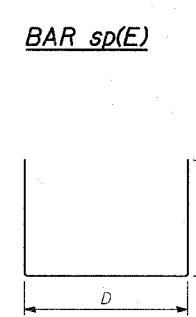
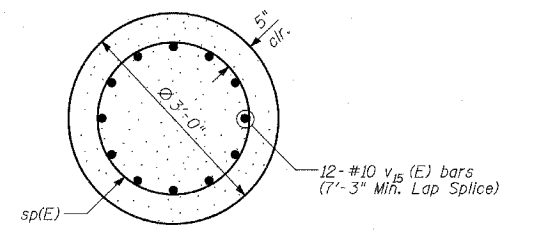
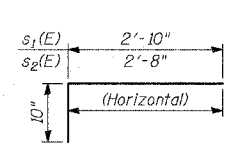
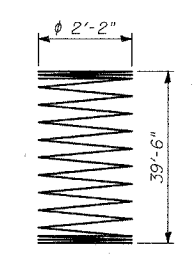
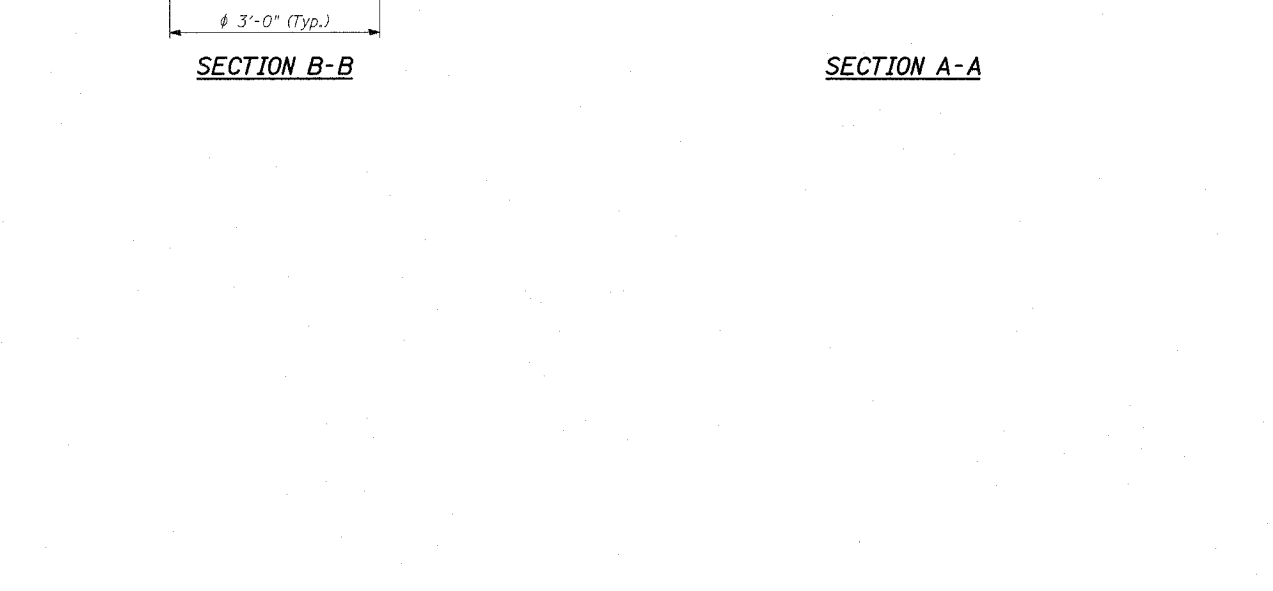
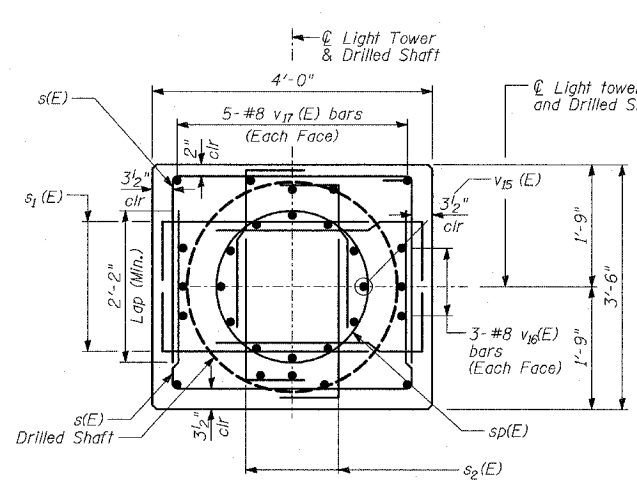
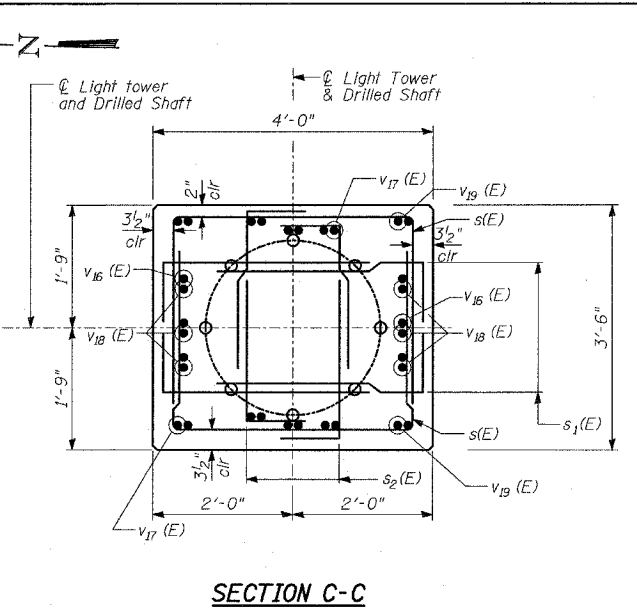
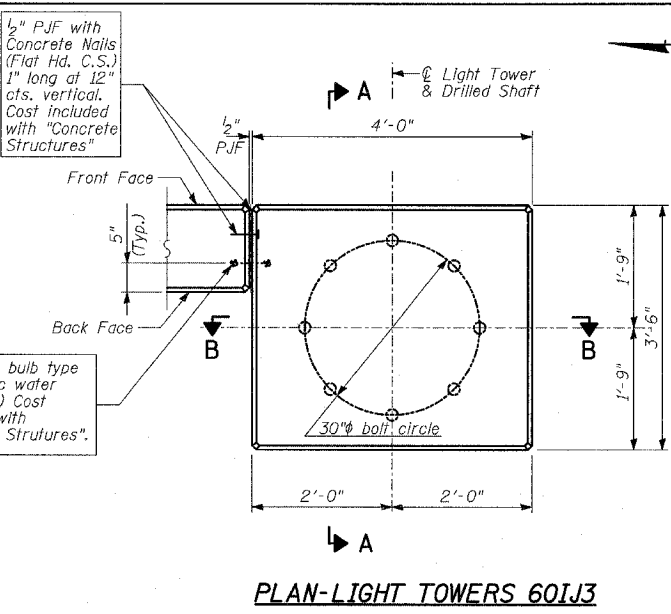
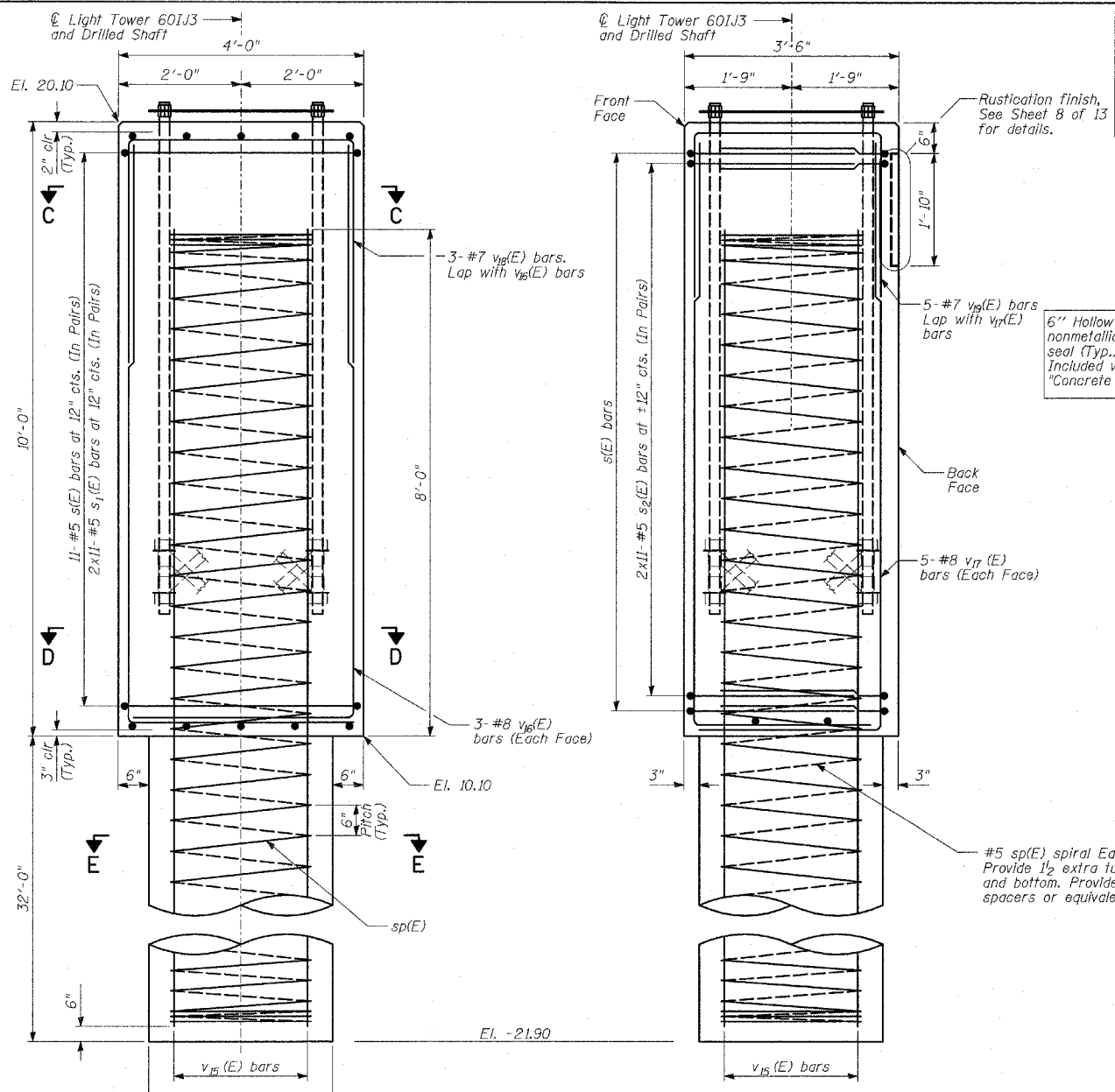
BILL OF MATERIAL

Bar	No.	Size	Length	Shape
s (E)	22	#5	8'-9"	┌
s ₁ (E)	44	#5	3'-8"	┌
s ₂ (E)	44	#5	3'-6"	┌
sp (E)	1	#5	39'-6"	
v ₁₅ (E)	12	#10	39'-6"	—
v ₁₆ (E)	6	#8	12'-10"	┌
v ₁₇ (E)	10	#8	12'-5"	┌
v ₁₈ (E)	3	#7	10'-2"	┌
v ₁₉ (E)	5	#7	9'-10"	┌
Reinforcement Bars, Epoxy Coated		POUND	3,860	
Structure Excavation		SQ YD	7	
Concrete Structures		CU YD	6	
Protective Coat		SQ YD	10	
Rustication Finish		SQ FT	6	
Drilled Shaft in Soil 36"		FOOT	32	

Reinforcement bars designated (E) shall be epoxy coated.

NOTES:

- The design loads are based on AASHTO Standard Specifications for Structural Supports for Highway Signs, Luminaires and Traffic Signals-2001.
- Drilled shafts shall be installed according to IDOT special provisions for "Drilled Shafts".
- Concrete: f'c = 3,500 psi
Reinforcing: fy = 60,000 psi
- At all locations where reinforcement bar laps are not in direct contact, the Contractor shall provide sufficient spacing between the vertical bars, equal to the size of the largest concrete aggregate plus 1/2 inch.
- For location of drilled shaft, see Sheet 2 of 13.
- Conduit is not shown for clarity. For location of conduit, see Sheet 6 of 13.
- Cost of anchor rod assembly, conduit and wires for grounding are included with "Concrete Structures".
- For Expansion Joint Details, see Sheet 7 of 13.
- Minimum lap for spirals = 2'-6"



MARK TABLE

Bar	D
s (E)	3'-5"
v ₁₆ (E)	3'-4"
v ₁₇ (E)	3'-0"

TYLIN INTERNATIONAL

REVISIONS	
NAME	DATE

ILLINOIS DEPARTMENT OF TRANSPORTATION
F.A.I. 94 (DAN RYAN EXPRESSWAY)
RETAINING WALL ALONG LAFAYETTE AVE.
EXIT RAMP AT 93RD ST.
WALL 35
LIGHT TOWER 60IJ3 FOUNDATION DETAILS
 S.N. 016-W947
 SCALE: N.T.S.
 DATE: MARCH 25, 2005

DESIGNED BY: TD, MAF
 DRAWN BY: MAF
 CHECKED BY: MI, TD