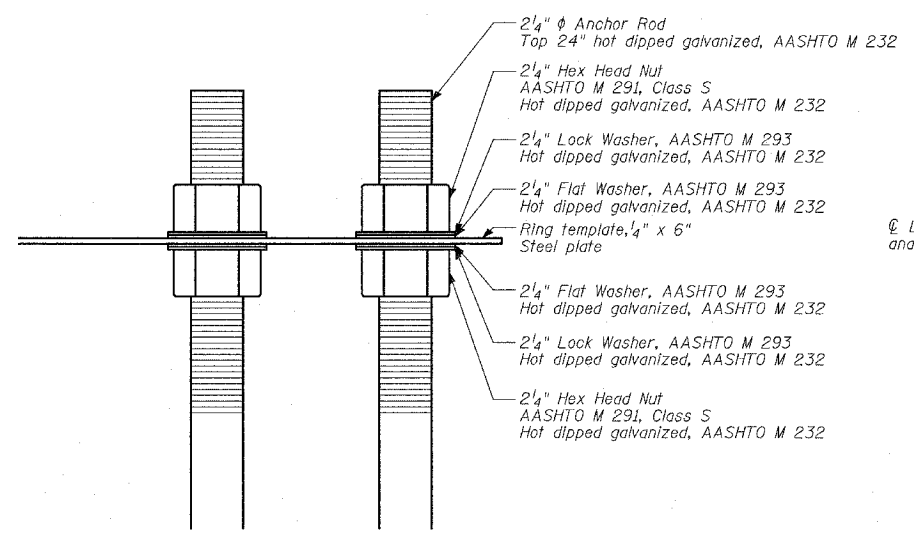
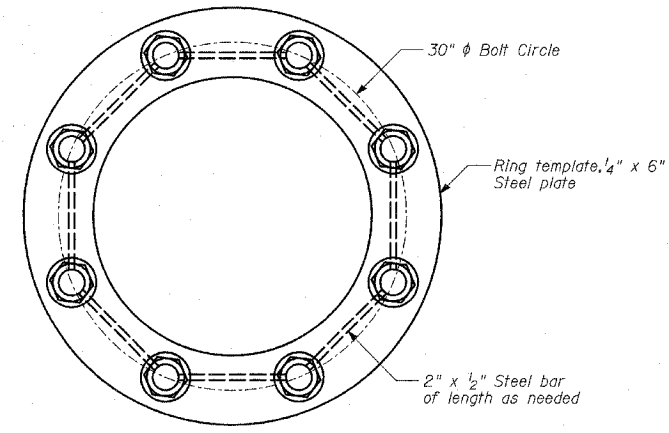


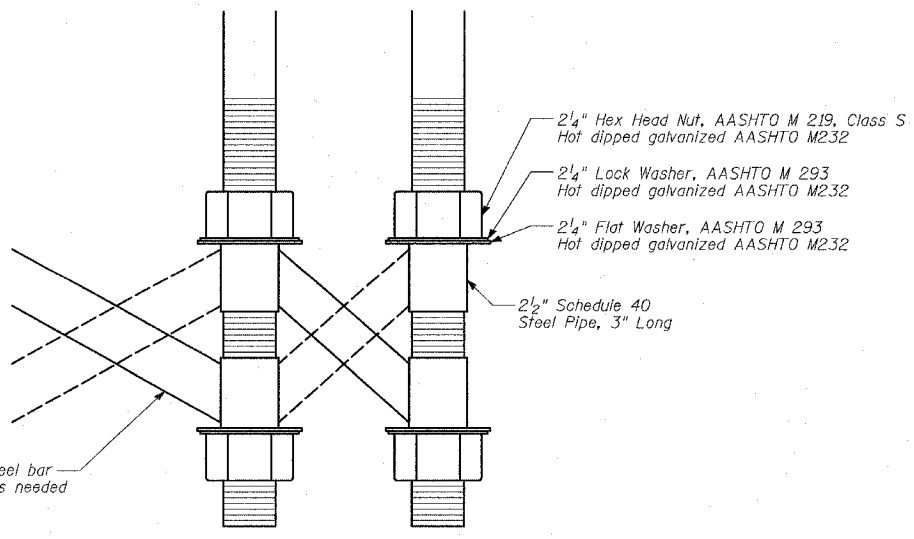
ANCHOR BOLT CAGE



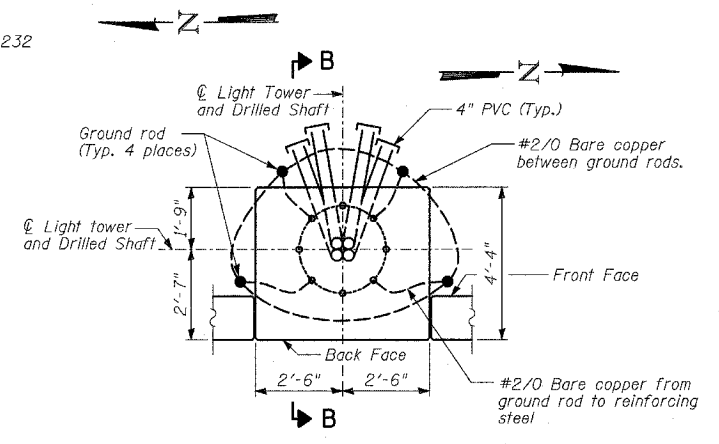
BOLT CAGE TOP



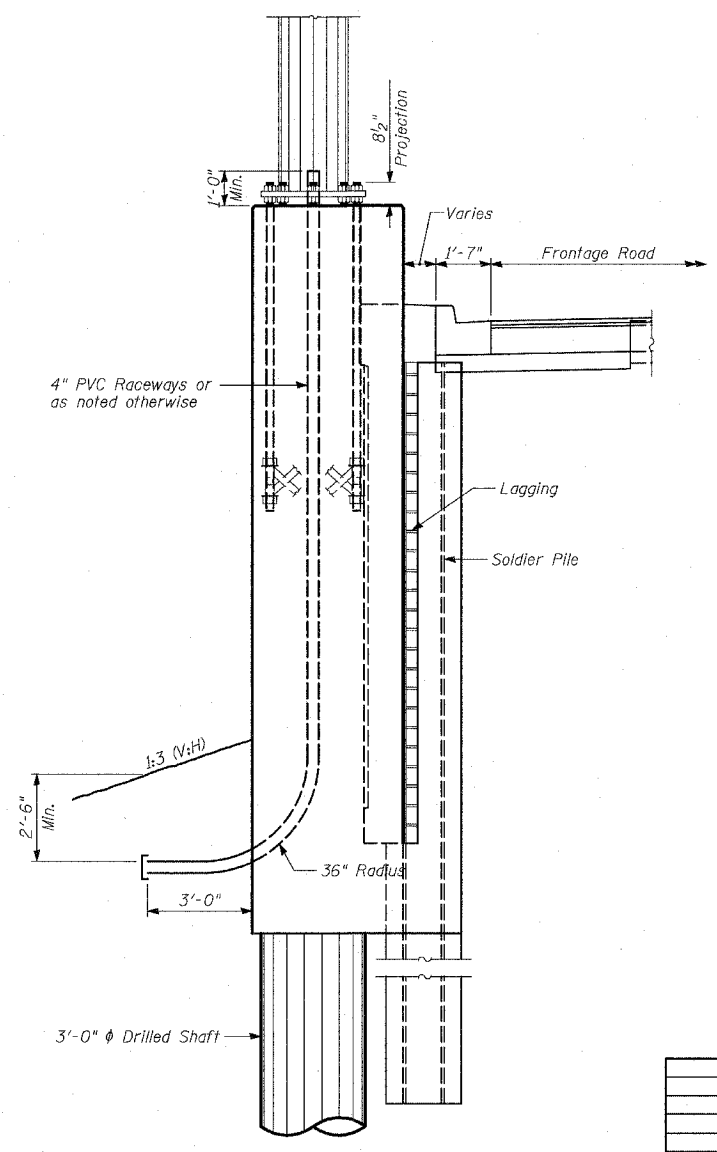
SECTION A-A



BOLT CAGE BOTTOM



PLAN - 60MN2 CONDUIT PLACEMENT



SECTION B-B

NOTES:

1. Anchor rods shall be straight and shall be according to AASHTO M 314 or ASTM F1554, Grade 105 and galvanized according to Article 1006.09.
2. Anchor rod information shall be submitted for approval and shall be fully coordinated with tower manufacturer's requirements.
3. The Anchor Rods shall be vertical. No adjustment shall be allowed after the foundation is placed.
4. The gap between the foundation and the base plate shall be enclosed with a stainless steel screen fastened with a stainless steel band. Cost included with "Light Tower" in Contract 62583.
5. The Light Tower shall not be erected until after the concrete has been cured according to Article 1020.13.
6. Two anchor rods opposite each other shall have the anchor rod threads peened after nuts are installed.
7. Refer to BE501 for details.

REVISIONS	
NAME	DATE

P:\02373\Structural\Drawings\Wall_36\T11\02373_36_T11_02373_36.dwg
 03/29/2005 03:54:42 PM