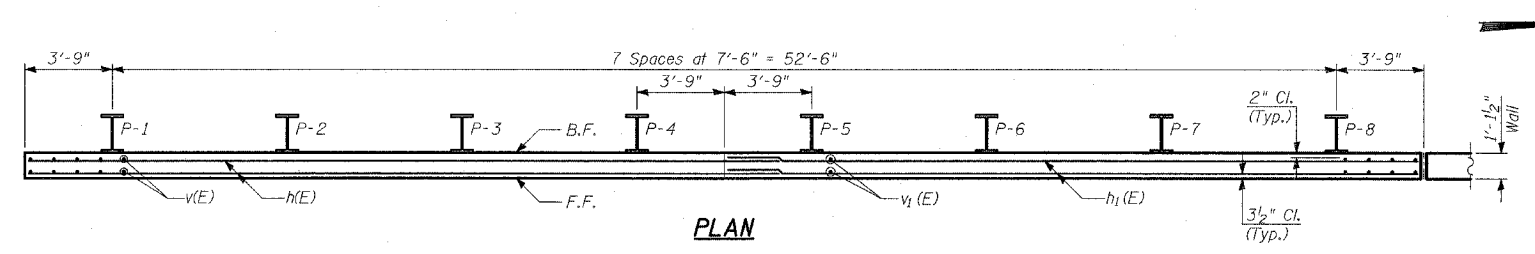
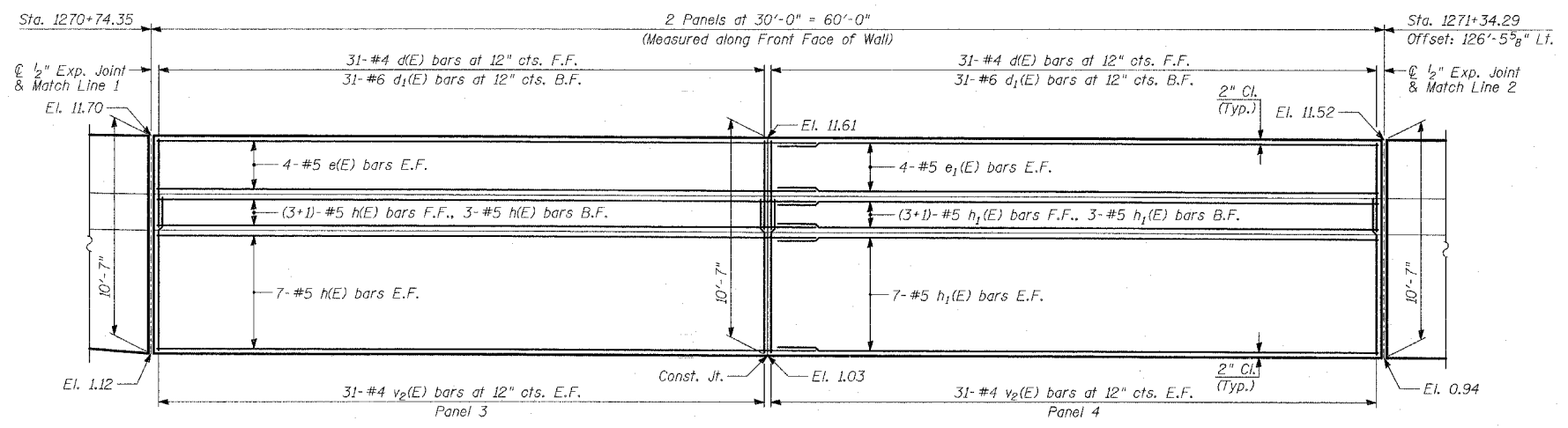


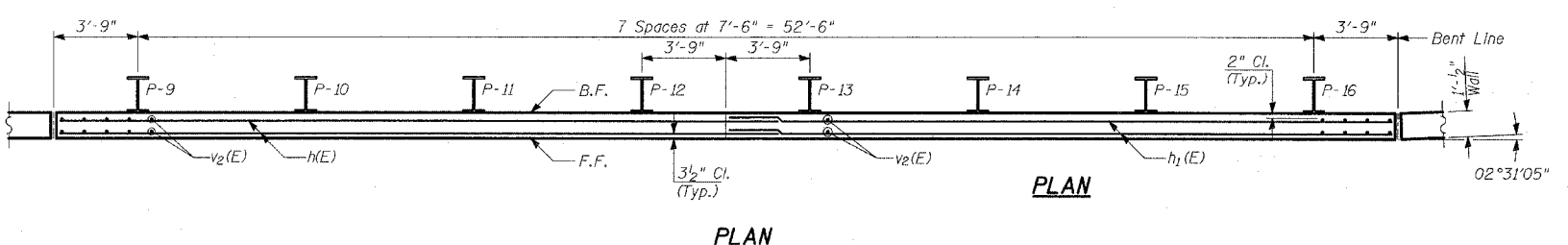
**ELEVATION**



**PLAN**



**ELEVATION**



**PLAN**

- NOTES:**
1. B.F. - denotes Back Face.
  2. E.F. - denotes Each Face.
  3. F.F. - denotes Front Face.
  4. Work this sheet with Sheets 4 thru 8 of 11.
  5. Pile spacing measured along front face of wall.
  6. For Lap Splices, see Sheet 5 of 11.

**TYLIN INTERNATIONAL**

REVISIONS	
NAME	DATE

ILLINOIS DEPARTMENT OF TRANSPORTATION  
**F.A.I. 94 (DAN RYAN EXPRESSWAY)**  
**RETAINING WALL ALONG LAFAYETTE AVE.**  
**EXIT RAMP AT AIS #3**  
**AIS 3 - PLAN AND ELEVATION**  
**STA. 1270+14.40 TO STA. 1271+34.29**  
 S.N. 016-W958      DESIGNED BY: MI, DJR  
 SCALE: N.T.S.      DRAWN BY: DJR, TB  
 DATE: MARCH 25, 2005      CHECKED BY: TD, MI