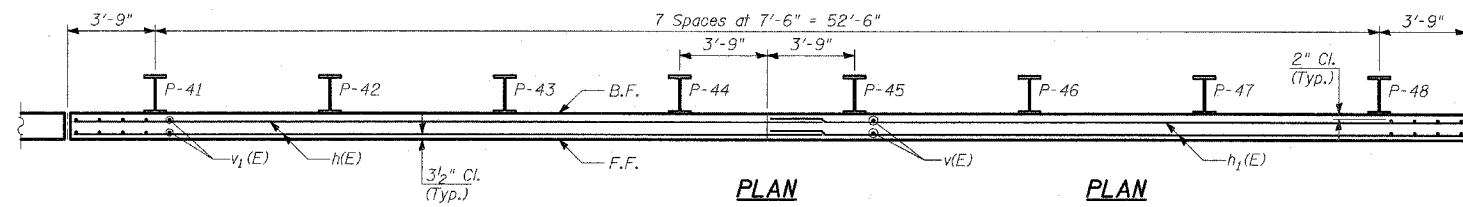
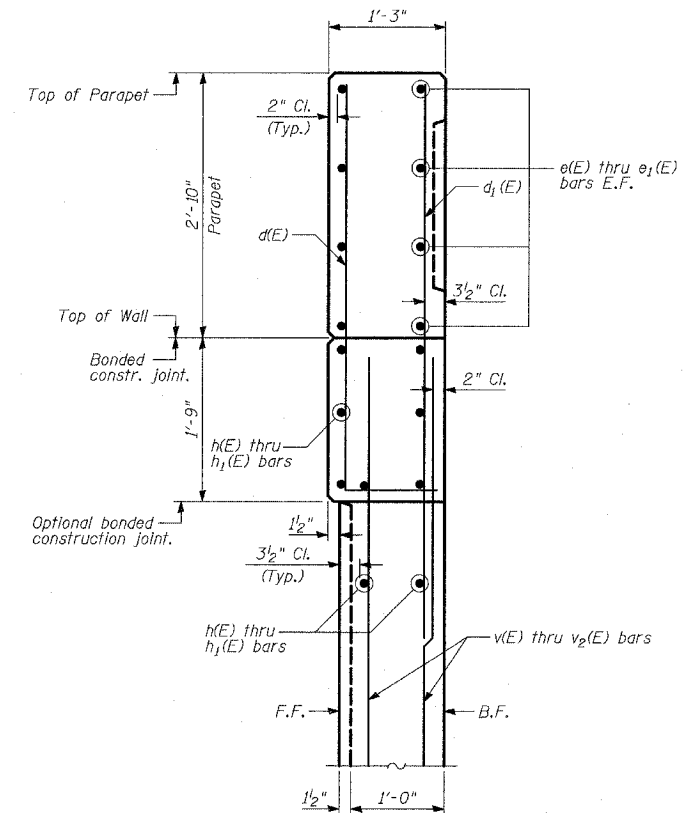


**ELEVATION**



**PLAN**

**PLAN**



**FLUTED PARAPET DETAIL**

**NOTES:**

1. B.F. - denotes Back Face.
2. E.F. - denotes Each Face.
3. F.F. - denotes Front Face.
4. Work this sheet with Sheets 4 thru 8 of 11.
5. Pile spacing measured along front face of wall.
6. For Lap Splices, see Sheet 5 of 11.

**TYLIN** INTERNATIONAL

REVISIONS	
NAME	DATE

ILLINOIS DEPARTMENT OF TRANSPORTATION  
**F.A.I. 94 (DAN RYAN EXPRESSWAY)**  
**RETAINING WALL ALONG LAFAYETTE AVE.**  
**EXIT RAMP AT AIS #3**  
**AIS 3 - PLAN AND ELEVATION**  
**STA. 1273+14.29 TO STA. 1273+74.29**  
 S.N. 016-W958  
 SCALE: N.T.S.  
 DATE: MARCH 25, 2005

DESIGNED BY: MI, DJR  
 DRAWN BY: DJR, TB  
 CHECKED BY: TD, MI