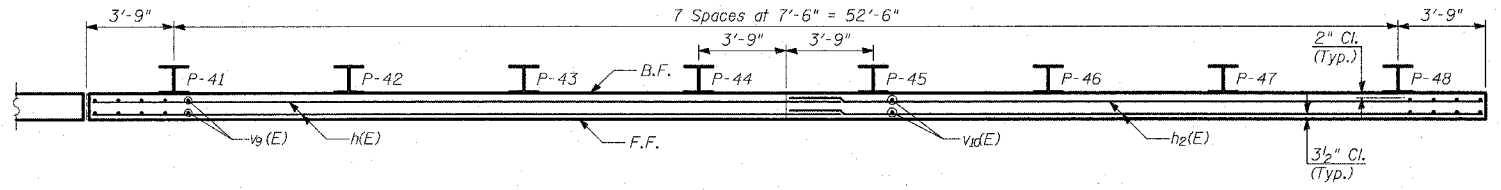
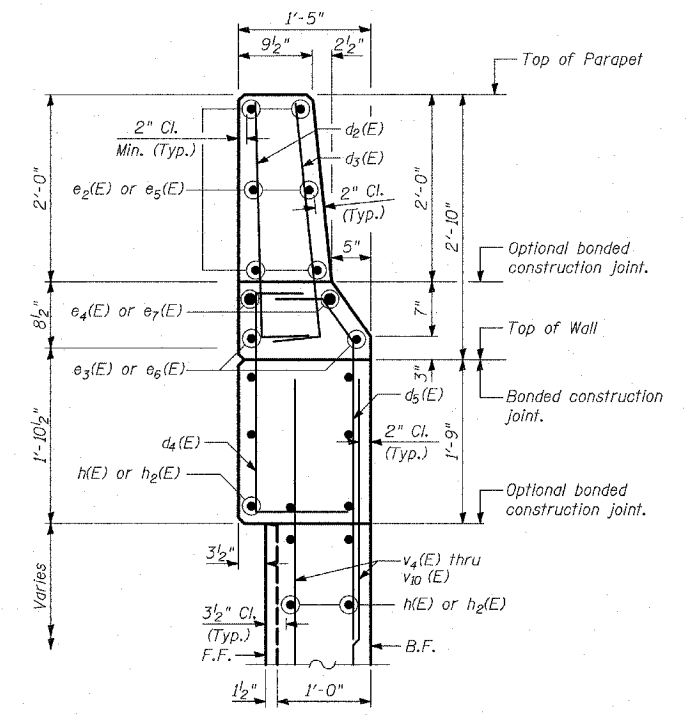


ELEVATION



PLAN



**SECTION B-B
TYPE F BARRIER DETAIL**
(Sta. 1315+73.12 to Sta. 1318+15.17)

- NOTES:**
1. B.F. - denotes Back Face.
 2. E.F. - denotes Each Face.
 3. F.F. - denotes Front Face.
 4. Work this Sheet with Sheets 6 and 12 thru 14 of 21.
 5. Pile spacing measured along front face of wall.
 6. For Lap Splices, see Sheet 6 of 21.

TYLIN INTERNATIONAL

| REVISIONS | |
|-----------|------|
| NAME | DATE |
| | |
| | |
| | |
| | |
| | |
| | |
| | |
| | |
| | |

ILLINOIS DEPARTMENT OF TRANSPORTATION
F.A.I. 94 (DAN RYAN EXPRESSWAY)
SOUTHBOUND EXIT RAMP RETAINING WALL
AT 79TH ST.
WALL 72 - PLAN AND ELEVATION
STA. 1317+54.68 TO STA. 1318+15.17
 S.N. 016-W971 DESIGNED BY: MI, MAF
 SCALE: N.T.S. DRAWN BY: MAF, DJR
 DATE: MARCH 25, 2005 CHECKED BY: TD, MI