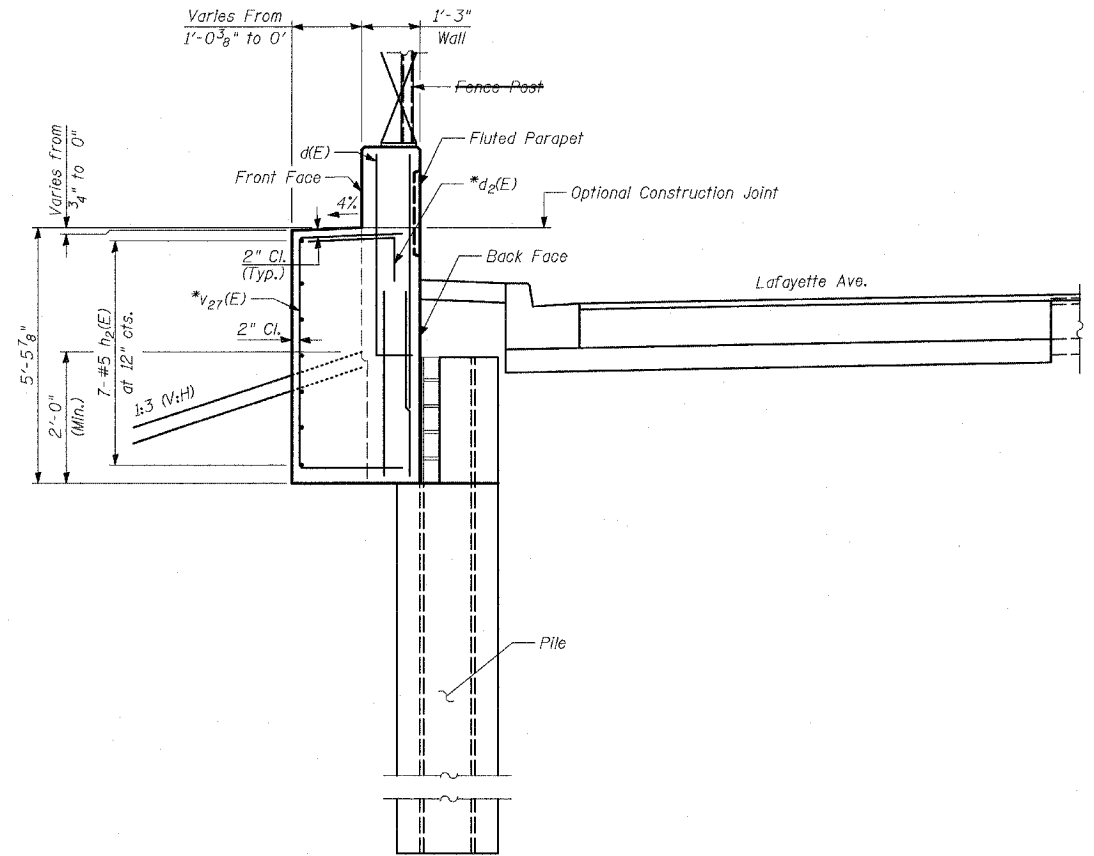


SECTION C-C
Sta. 1328+87.78 to Sta. 1329+37.06



SECTION D-D
Sta. 1329+37.06 to Sta. 1329+61.69

LEGEND:

*Cut horizontal leg of bars to fit in field.



REVISIONS		ILLINOIS DEPARTMENT OF TRANSPORTATION	
NAME	DATE	F.A.I. 94 (DAN RYAN EXPRESSWAY)	
		RETAINING WALL ALONG LAFAYETTE AVE.	
		77TH PL. TO 78TH ST.	
		WALL 73B - HIGH MAST LIGHT TOWER	
		FOUNDATION PROTECTION SECTIONS	
		S.N. 016-W976	DESIGNED BY: DJR, MI
		SCALE: N.T.S.	DRAWN BY: SNB
		DATE: MARCH 25, 2005	CHECKED BY: TD, MI
REVISED	04/15/05		