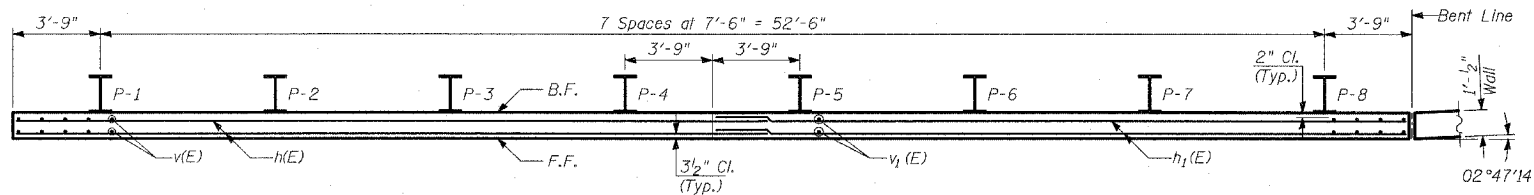
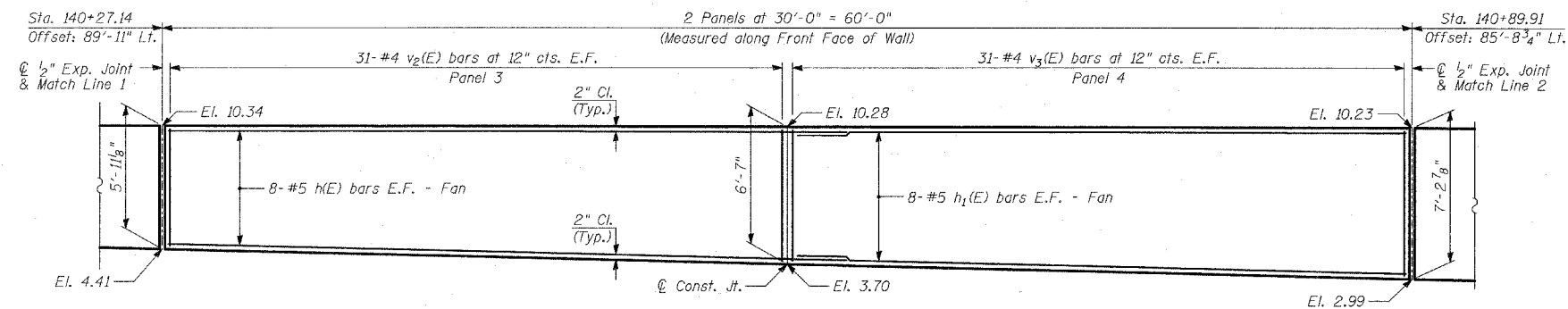


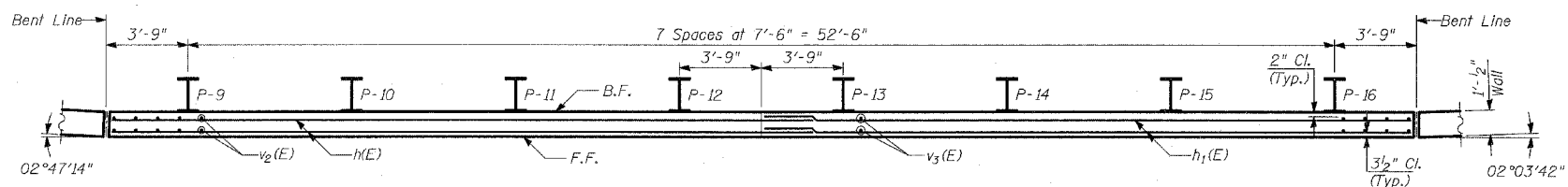
**ELEVATION**



**PLAN**



**ELEVATION**



**PLAN**

**NOTES:**

1. B.F. - denotes Back Face.
2. E.F. - denotes Each Face.
3. F.F. - denotes Front Face.
4. Work this Sheet with Sheets 7 and 11 thru 13 of 17.
5. Pile spacing measured along front face of wall.
6. For Lap Splices, see Sheet 7 of 17.

**TYLIN INTERNATIONAL**

REVISIONS	
NAME	DATE

ILLINOIS DEPARTMENT OF TRANSPORTATION  
 F.A.I. 94 (DAN RYAN EXPRESSWAY)  
 RETAINING WALL ALONG LAFAYETTE AVE.  
 AT 97TH ST.  
 WALL 68 - PLAN AND ELEVATION  
 STA. 139+64.27 TO STA. 140+89.91  
 S.N. 016-W967      DESIGNED BY: MI, DJR  
 SCALE: N.T.S.      DRAWN BY: DJR, MAF  
 DATE: MARCH 25, 2005      CHECKED BY: TD, MI