

F.A.I. RTE.	SECTION	COUNTY	TOTAL SHEETS	SHEET NO.
94	*	COOK	907	663
STA. 1200+00.00		TO STA. 1365+00		
FED. ROAD DIST. NO.		ILLINOIS	FED. AID PROJECT	
(1516.1, 1717 & 1818) R-9		62695		

**BILL OF MATERIAL**

Bar	No.	Size	Length	Shape
d(E)	32	#10	14'-3"	[U]
h <sub>2</sub> (E)	18	#8	40'-8"	[—]
h <sub>3</sub> (E)	9	#5	40'-8"	[—]
h <sub>4</sub> (E)	8	#8	15'-8"	[U]
s(E)	26	#5	13'-6"	[□]
s <sub>1</sub> (E)	58	#5	10'-6"	[□]
s <sub>2</sub> (E)	6	#5	11'-0"	[□]
s <sub>3</sub> (E)	36	#5	14'-0"	[□]
sp(E)	4	#5	27'-0"	[     ]
v <sub>20</sub> (E)	76	#5	8'-3"	[—]
v <sub>21</sub> (E)	14	#10	13'-11"	[L]
v <sub>22</sub> (E)	14	#10	12'-5"	[L]
v <sub>23</sub> (E)	32	#10	25'-0"	[—]
w(E)	10	#8	15'-8"	[U]
w <sub>1</sub> (E)	10	#10	15'-8"	[U]

Item	Unit	Quantity
Structure Excavation	CU YD	165
Concrete Structures	CU YD	39
Protective Coat	SQ YD	42
Rustication Finish	SQ FT	272
Reinforcement Bars, Epoxy Coated	POUND	14,540
Drilled Shaft in Soil 36"	FOOT	102

**MARK TABLE**

Bar	C	D
d(E)	4'-6"	9'-9"
v <sub>21</sub> (E)	1'-10"	12'-1"
v <sub>22</sub> (E)	1'-10"	10'-7"

**BARS d(E), v<sub>21</sub>(E) & v<sub>22</sub>(E)**

**MARK TABLE**

Bar	A	B
h <sub>4</sub> (E)	13'-0"	1'-4"
w(E)	13'-0"	1'-4"
w <sub>1</sub> (E)	13'-0"	1'-4"

**BARS h<sub>4</sub>(E), w(E) & w<sub>1</sub>(E)**

**MARK TABLE**

Bar	E	F
s(E)	3'-5"	2'-6"
s <sub>1</sub> (E)	1'-11"	2'-6"
s <sub>2</sub> (E)	3'-5"	1'-3"
s <sub>3</sub> (E)	3'-8"	2'-6"

**BARS s(E) THRU s<sub>3</sub>(E)**

**BAR sp(E)**

**LEGEND:**

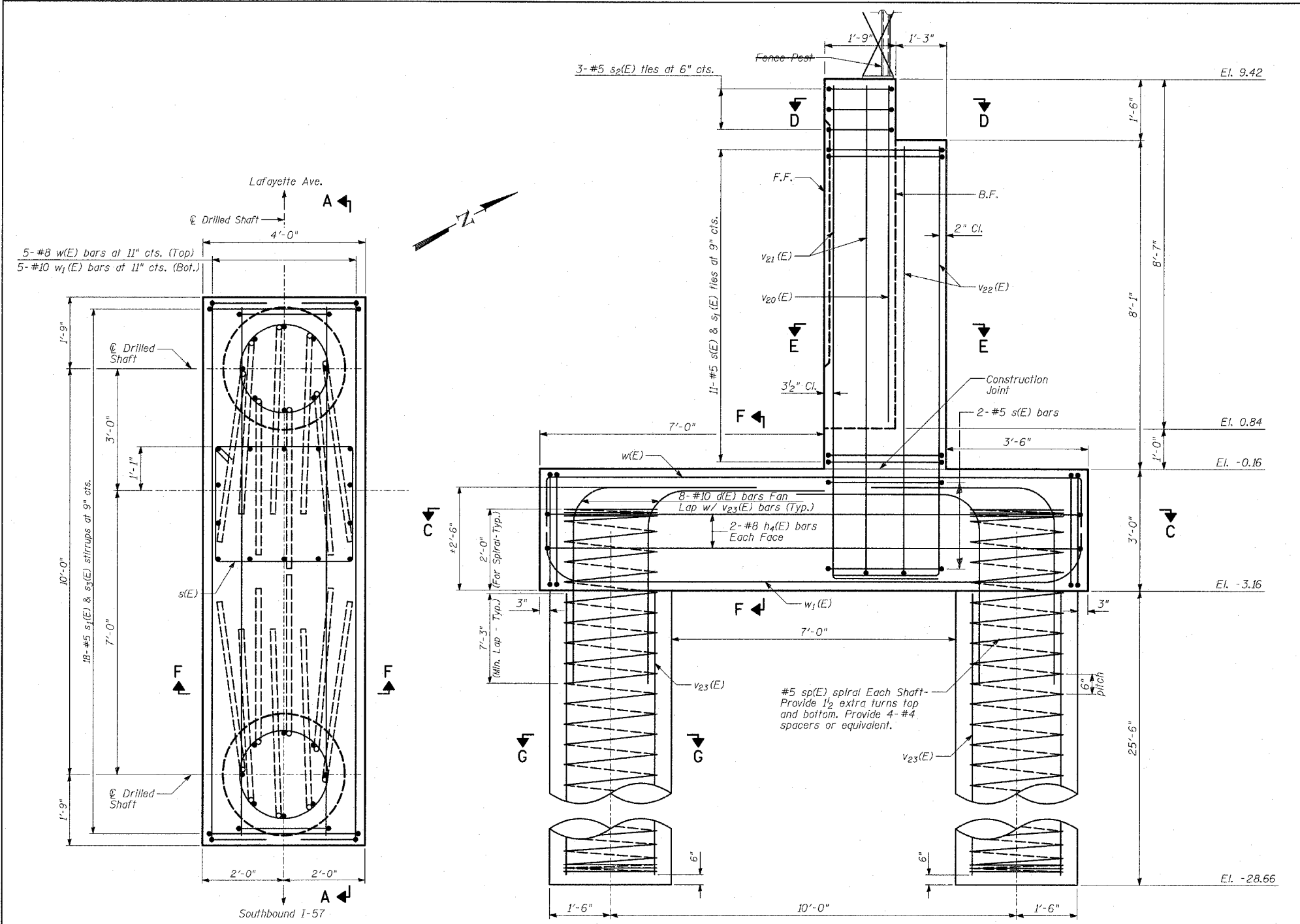
B.F. - denotes Back Face.  
F.F. - denotes Front Face.

**NOTES:**

Minimum Lap for Spirals = 2'-6".

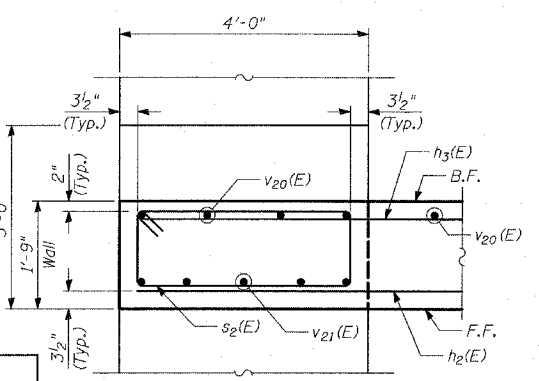
REVISIONS	
NAME	DATE

ILLINOIS DEPARTMENT OF TRANSPORTATION  
 F.A.I. 94 (DAN RYAN EXPRESSWAY)  
 RETAINING WALL ALONG LAFAYETTE AVE.  
 AT 9TH ST.  
 WALL 68  
 SADDLE SECTION AND DETAILS 2  
 S.N. 016-W967  
 SCALE:                      DATE: MARCH 25, 2005  
 DESIGNED BY: MI, DJR      CHECKED BY: TD, MI  
 DRAWN BY: DJR, MAF

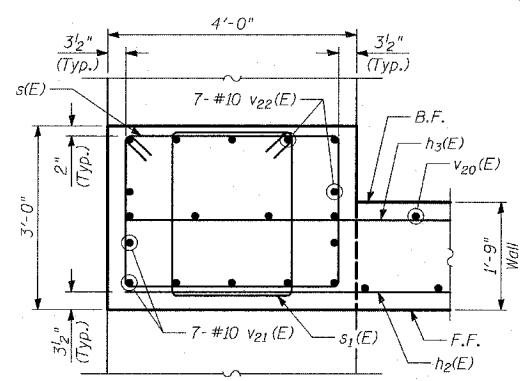


**SECTIONAL PLAN C-C**

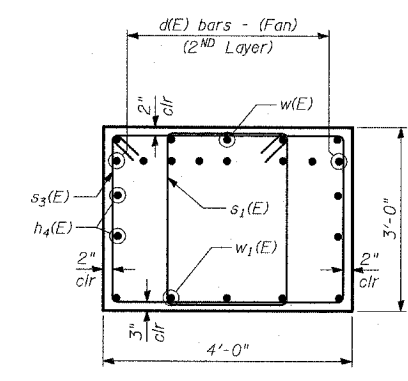
**SECTION A-A**



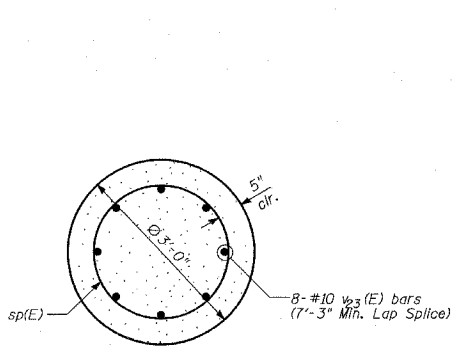
**SECTION D-D**



**SECTION E-E**



**SECTION F-F**



**SECTION G-G**