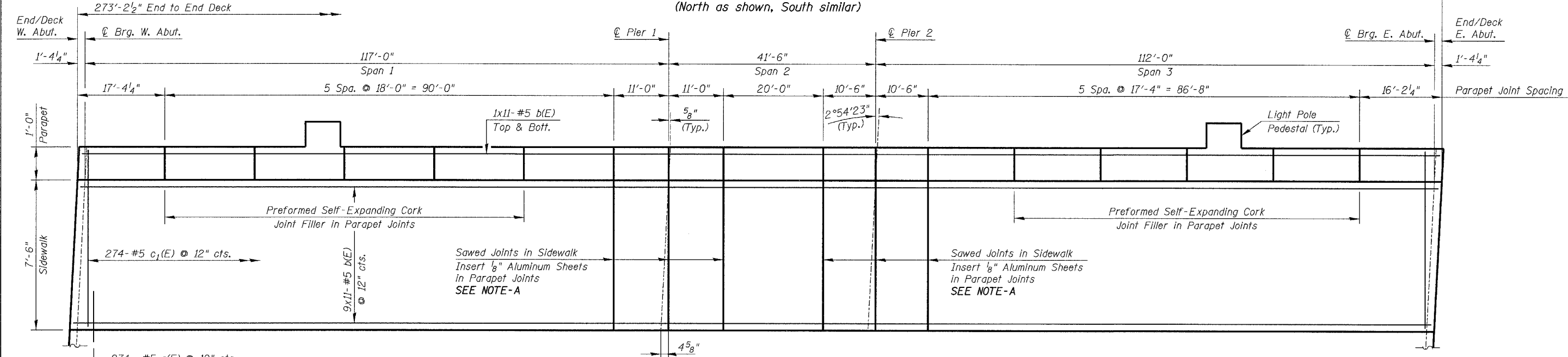
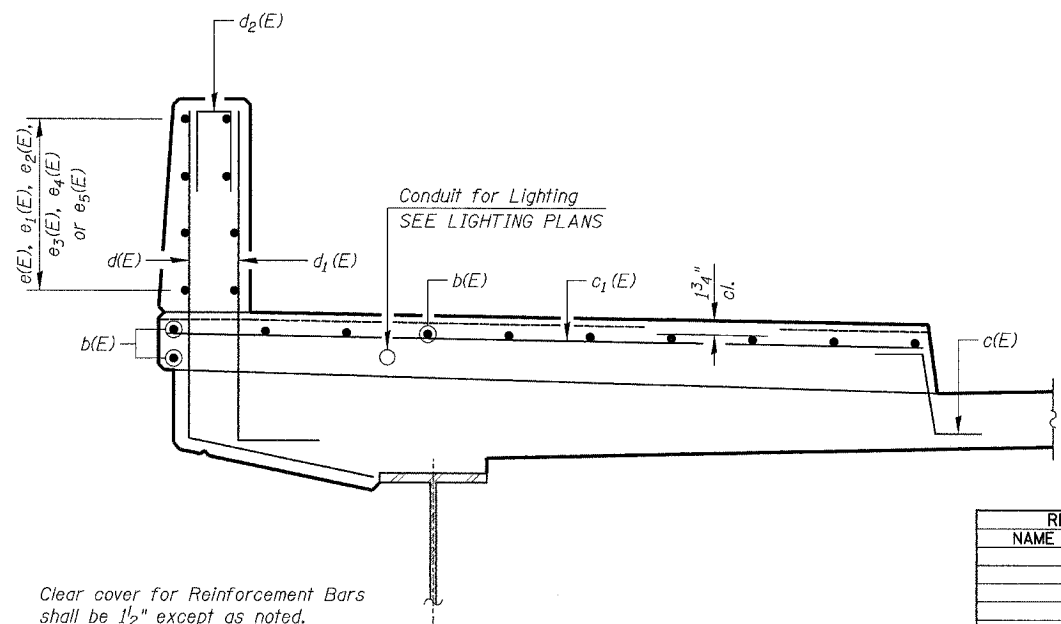
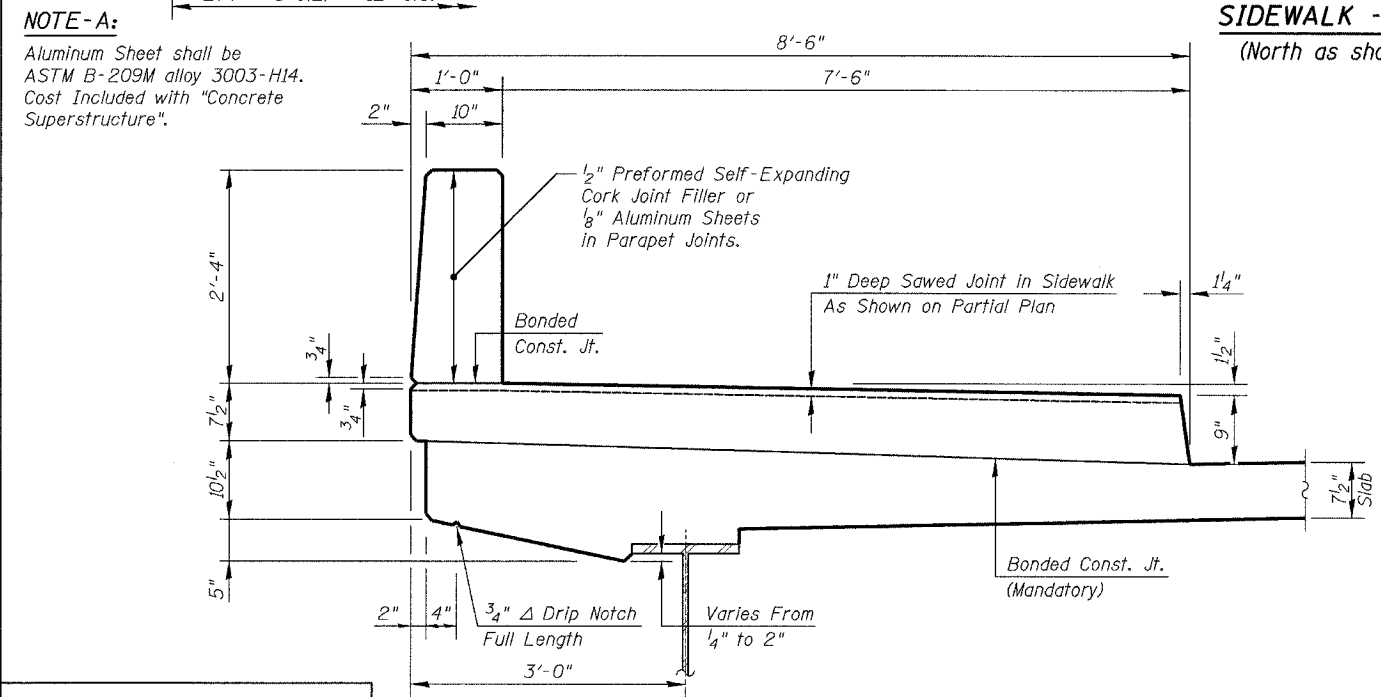


INSIDE ELEVATION OF PARAPET
(North as shown, South similar)



SIDEWALK - PARTIAL PLAN
(North as shown, South similar)



NOTE-A:
Aluminum Sheet shall be ASTM B-209M alloy 3003-H14. Cost Included with "Concrete Superstructure".

Notes:
Reinforcement Bars designated (E) shall be epoxy coated.
Bars indicated thus 20 x 3-#5 etc. indicates 20 lines of bars with 3 lengths per line.
SEE DWG. S-12 for Light Pole Pedestal Details.
SEE DWG. S-13 for Cork Filled Parapet Joint Detail.
SEE DWG. S-13 for Deck Misc. details and Bill of Materials.
SEE DWG. S-18 for Bridge Railing Details
Work this DWG. with DWGS. S-09, S-10, S-12 & S-13.

MIN. BAR LAPS:
#5 = 1'-8"
#6 = 2'-0"

Clear cover for Reinforcement Bars shall be 1 1/2" except as noted.

SECTION THRU SIDEWALK & PARAPET
(Showing Dimensions)

SECTION THRU SIDEWALK & PARAPET
(Showing Reinforcement Bars)

F.A.I. RTE. 94	SECTION *	COUNTY COOK	TOTAL SHEETS 407	SHEET NO. 651
STA. TO STA.		FED. ROAD DIST. NO. ILLINOIS FED. AID PROJECT		
		* (1516.1, 1717 & 1818) R-9		



FILE: L:\16592\02\Cad\ISheefes\Roadway Structures\1818R-9\6592-S2850-DK03.dgn



REVISIONS	
NAME	DATE

DWG. S-11 of 42
ILLINOIS DEPARTMENT OF TRANSPORTATION
SIDEWALK & PARAPET DETAILS
76TH STREET OVER FAI-94
FAP ROUTE 1541 SECTION 1818 R-9
COOK COUNTY
STATION 73+49.33
STRUCTURE NUMBER 016-2850
SCALE: NONE DESIGNED BY: TB DRAWN BY: TL
DATE: March 25, 2005 CHECKED BY: WPM CHECKED BY: WPM