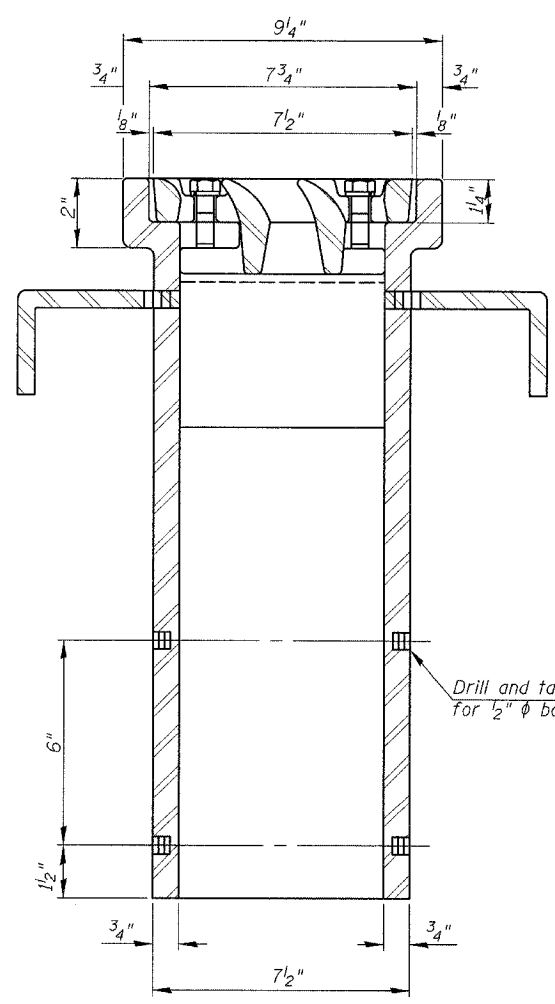
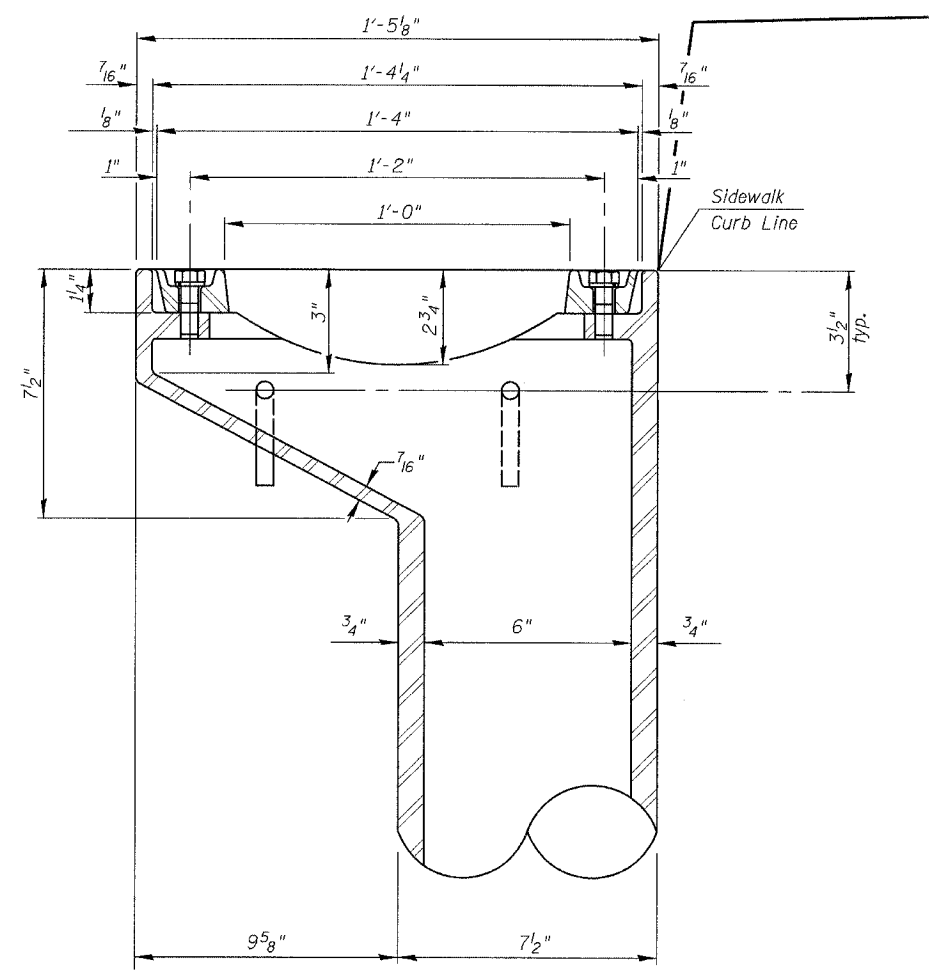
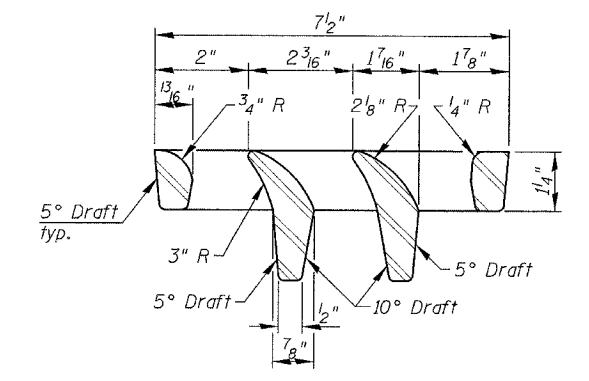
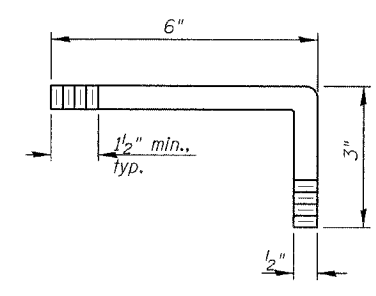
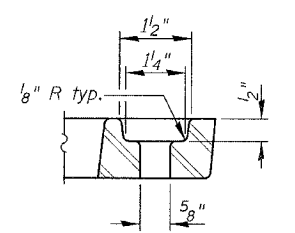
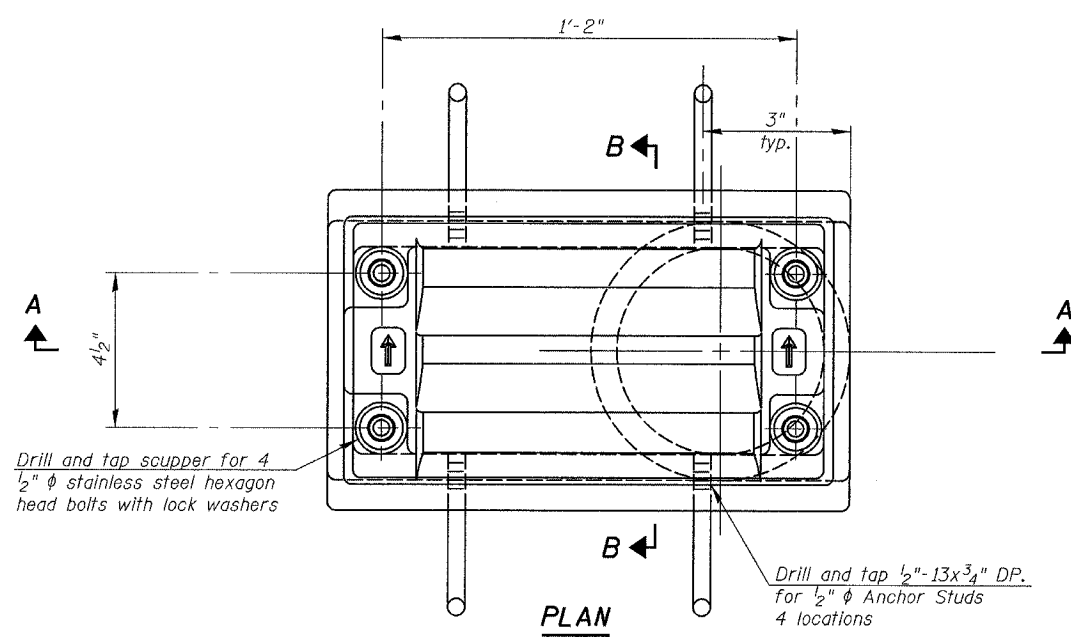


| | | | | |
|----------------------------|----------|------------------|--------------|-----------|
| F.A.I. RTE. | SECTION | COUNTY | TOTAL SHEETS | SHEET NO. |
| 94 | * | COOK | 907 | 684 |
| STA. | | TO STA. | | |
| FED. ROAD DIST. NO. | ILLINOIS | FED. AID PROJECT | | |
| *(1516.1, 1717 & 1818) R-9 | | 62695 | | |



Notes: All cast iron parts shall be gray iron conforming to the requirements of AASHTO M 105, Class 35B.
 Bolts, anchor studs, washers and nuts shall conform to the requirements of ASTM A 307 and shall be galvanized according to AASHTO M 232.
 The grate, frame and downspout shall be galvanized according to AASHTO M 111 and ASTM A 385. Downspouts located on the exterior side of a painted steel fascia beam shall be painted with the finish coat specified for the exterior side of the fascia beam.
 As an alternate, bolts, anchor studs, washers and nuts may be stainless steel according to Article 1006.29(d) of the Standard Specifications.
 Structural steel weldments of equal sections and of the same configuration may be substituted for cast iron. Fillet or full penetration welds shall be used for the weldments. Details shall be submitted to the Engineer for approval.
 The Contractor shall take appropriate measures to assure that Protective Coat is not applied to the scupper.
 Cost of the Grate, Frame, Downspout, Anchor Studs, Bolts, Washers and Nuts including complete installation of the scupper shall be paid for at the contract unit price each for Drainage Scupper, DS-11.

BILL OF MATERIAL

| ITEM | UNIT | QUANTITY |
|-------------------------|------|----------|
| Drainage Scupper, DS-11 | Each | 10 |

| REVISIONS | |
|-----------|------|
| NAME | DATE |
| | |
| | |
| | |
| | |
| | |
| | |

ILLINOIS DEPARTMENT OF TRANSPORTATION
DRAINAGE SCUPPER DETAILS
 76TH STREET OVER FAI-94
 FAP ROUTE 1541 SECTION 1818 R-9
 COOK COUNTY
 STATION 73+49.33
 STRUCTURE NUMBER 016-2850

SCALE: NONE
 DATE: March 25, 2005
 DESIGNED BY: TB
 CHECKED BY: WPM
 DRAWN BY: TL
 CHECKED BY: WPM

FILE: L:\6592.02\Cad\Sheet\Roadway_Structures\Bridge\6592-DS01.dgn

KNIGHT
 Engineers & Architects