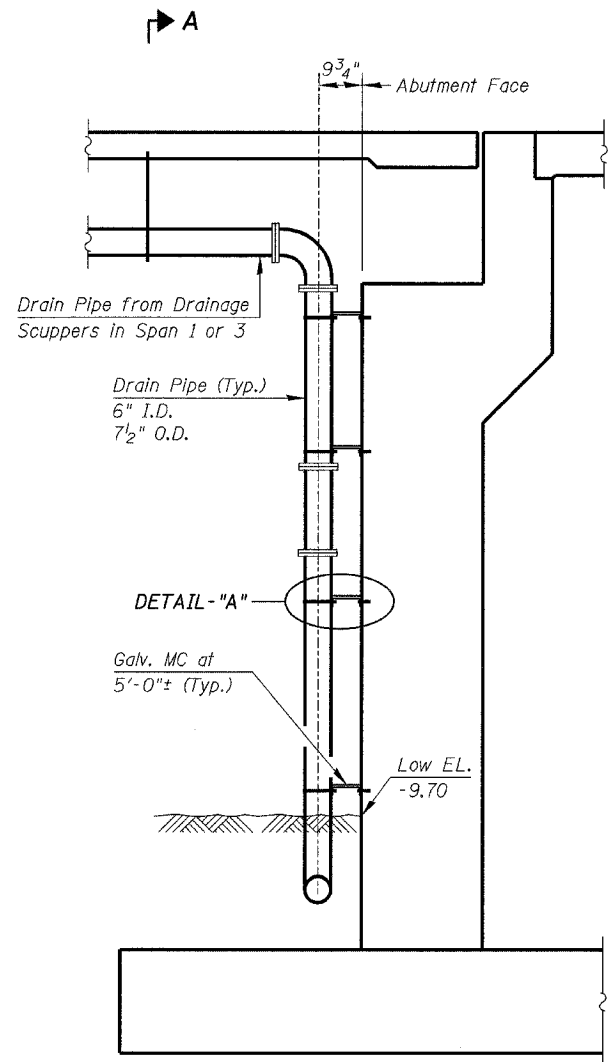
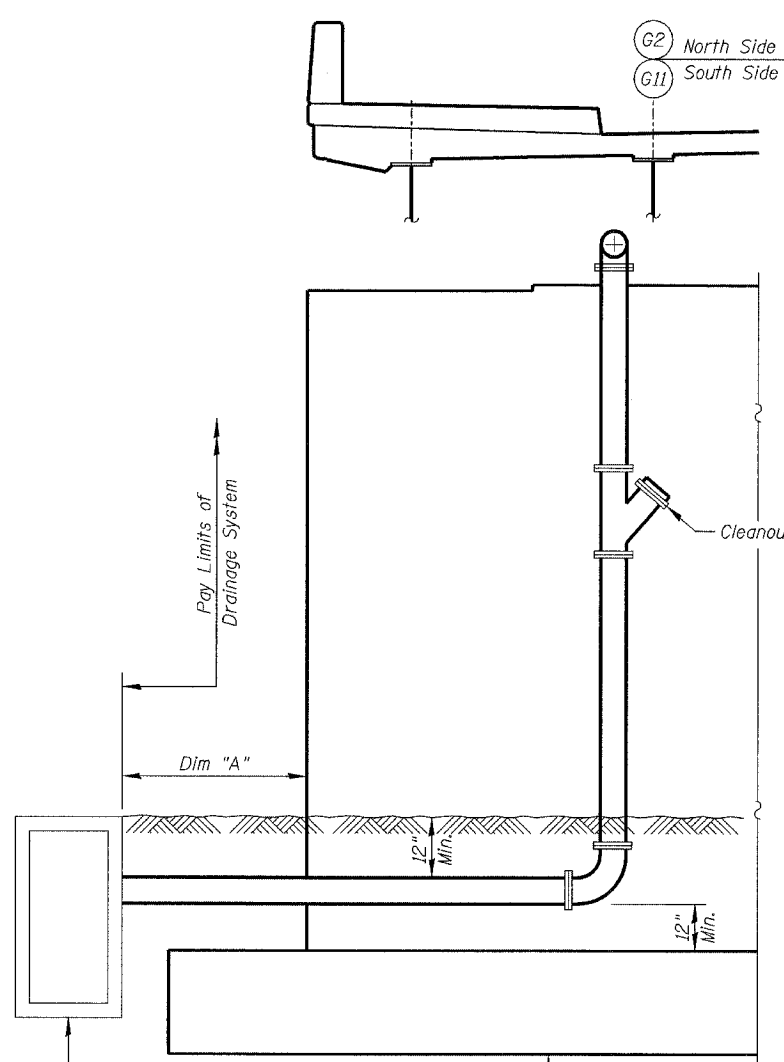


F.A.I. RTE.	SECTION	COUNTY	TOTAL SHEETS	SHEET NO.
94	*	COOK	907	1087
STA.	TO STA.			
FED. ROAD DIST. NO.	ILLINOIS FED. AID PROJECT		62695	
*(1516.1, 1717 & 1818) R-9				

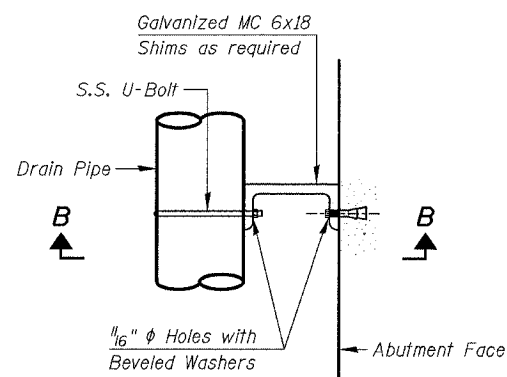


DRAINAGE SYSTEM AT ABUTMENTS

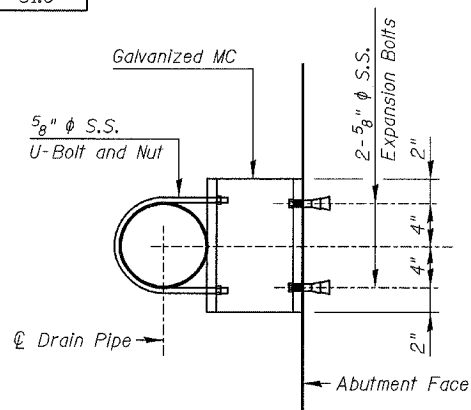


SECTION A-A

DIM "A"		
W. Abut.	NW Corner	18.0'
	SW Corner	10.0'
E. Abut	NE Corner	14.0'
	SE Corner	31.0'



DETAIL - A



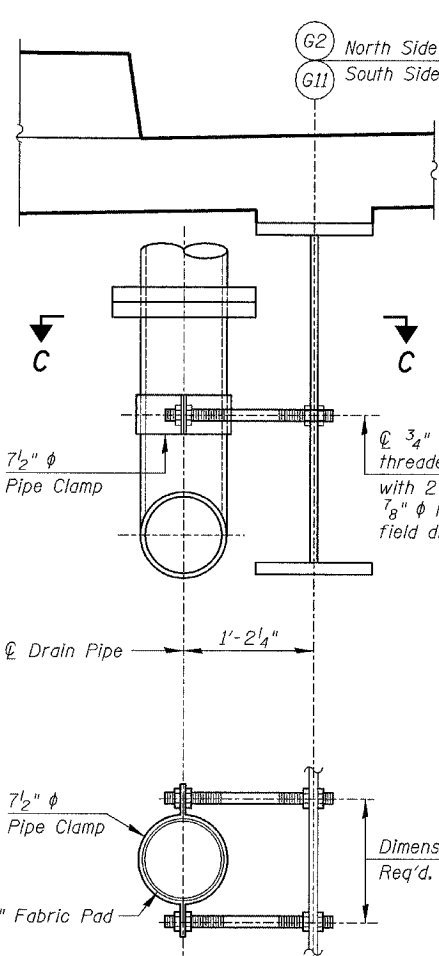
SECTION B-B

Notes:

The Contractor shall submit all details of the drainage system for approval by the Engineer.

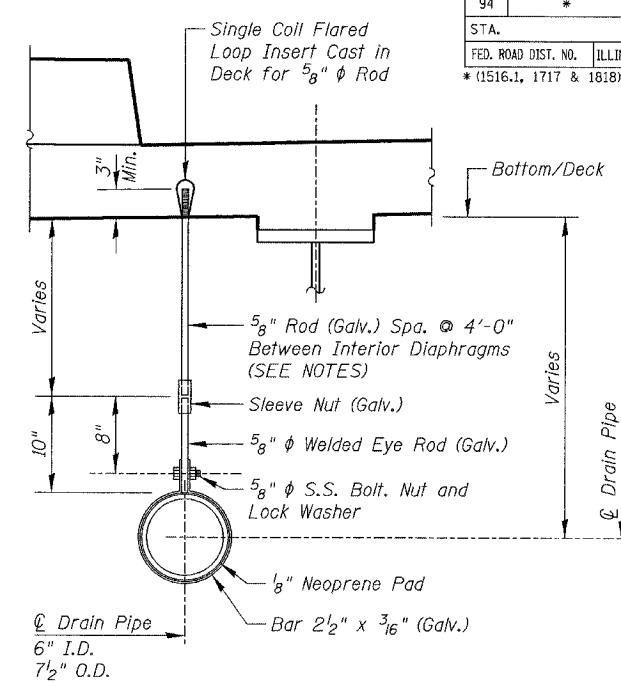
Cost of all drain pipes, collars, bolts, expansion bolts, channels, shims, clamps, cleanouts, pads, field drilling of web holes, and other items required to be included with "Drainage System".

All shim plates and beveled washers to be galvanized.

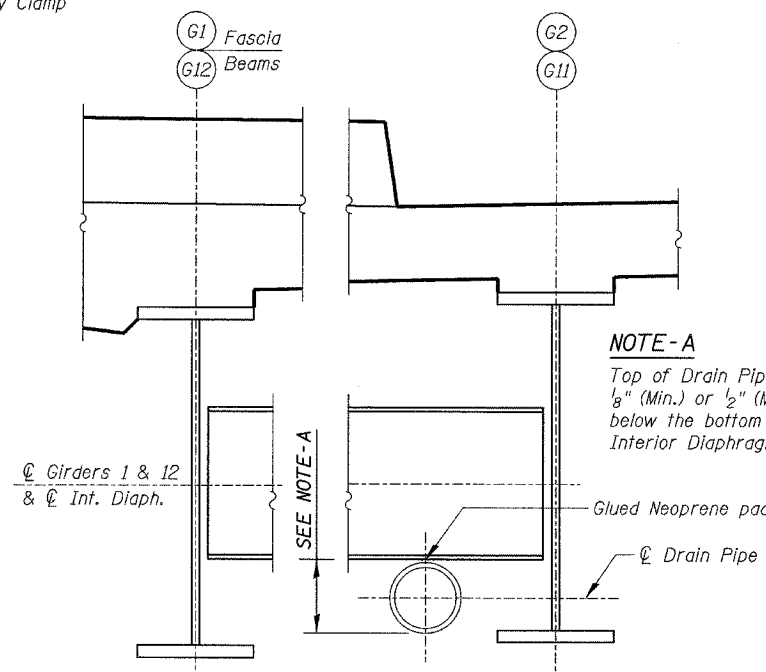


SECTION C-C

VERTICAL PIPE SUPPORT DETAIL



LONGITUDINAL PIPE SUPPORT DETAIL



PIPE AT DIAPHRAGMS

NOTE-A

Top of Drain Pipe to be 1/8" (Min.) or 1/2" (Max.) below the bottom of Interior Diaphragms.

BILL OF MATERIAL

Item	Unit	Quantity
Drainage System	L Sum	I

REVISIONS	
NAME	DATE

ILLINOIS DEPARTMENT OF TRANSPORTATION
BRIDGE DRAINAGE SYSTEM
 76TH STREET OVER FAI-94
 FAP ROUTE 1541 SECTION 1818 R-9
 COOK COUNTY
 STATION 73+49.33
 STRUCTURE NUMBER 016-2850
 SCALE: NONE
 DATE: March 25, 2005
 DESIGNED BY: TB
 CHECKED BY: WPM
 DRAWN BY: TL
 CHECKED BY: WPM