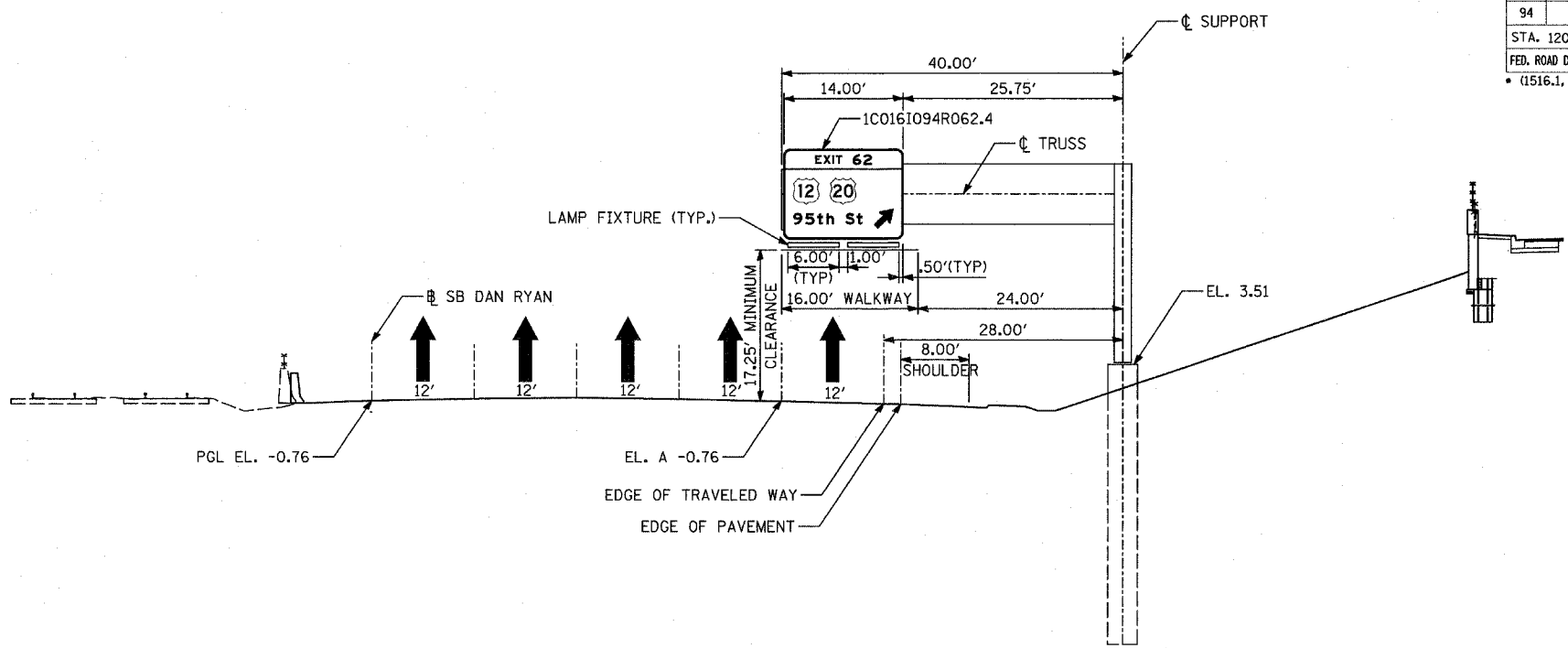
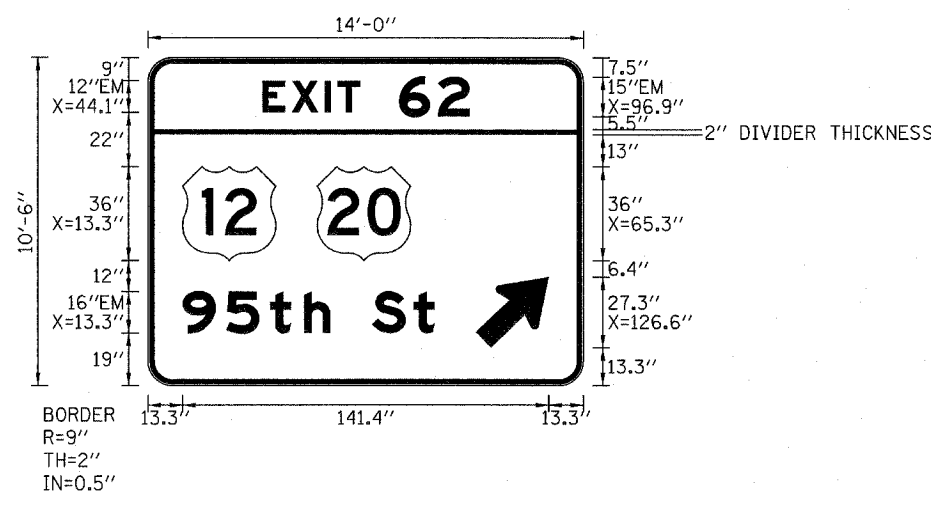
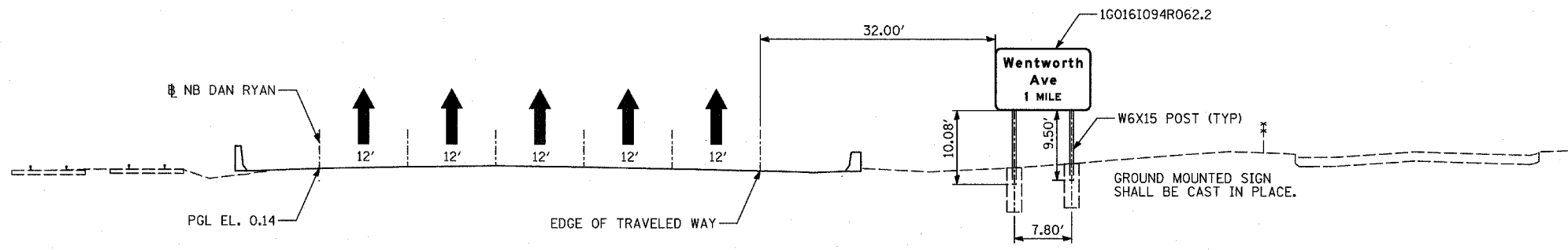
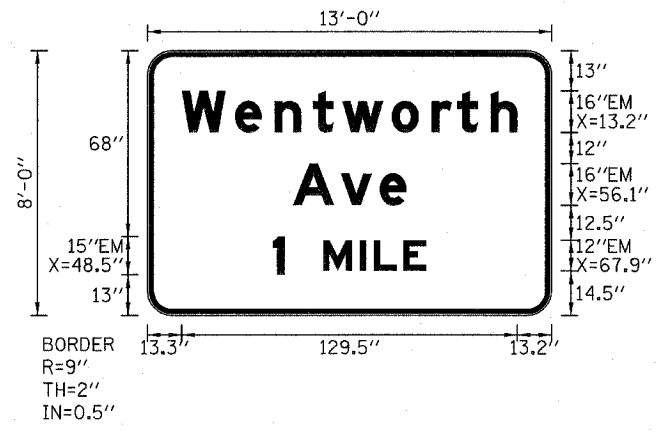


F.A.I. RTE.	SECTION	COUNTY	TOTAL SHEETS	SHEET NO.
94		COOK	907	743
STA. 1200+00.00		TO STA. 1365+00		
FED. ROAD DIST. NO.		ILLINOIS	FED. AID PROJECT	
		• (1516.1, 1717 & 1818) R-9		62695



STA. 1227+50 SB I-94
LOOKING SOUTH
1C0161094R062.4

ULTIMATE LANE AND PAVEMENT CONFIGURATION IN 2007 IS SHOWN.
SEE CONSTRUCTION SIGNING-STAGE 2
FOR SIGN PANEL CONFIGURATION AT END OF CONTRACT.



STA. 1239+75 SB I-94
LOOKING SOUTH
1G0161094R062.2

ULTIMATE LANE AND PAVEMENT CONFIGURATION IN 2007 IS SHOWN.
SEE CONSTRUCTION SIGNING-STAGE 2
FOR SIGN PANEL CONFIGURATION AT END OF CONTRACT.

REVISIONS	
NAME	DATE

ILLINOIS DEPARTMENT OF TRANSPORTATION
F.A.I. 94 (DAN RYAN EXPRESSWAY)
PERMANENT SIGN PANEL MOUNTING DETAILS
PROPOSED OVERHEAD SIGN STRUCTURE
STA. 1227+50 AND
GROUND MOUNTED SIGN STRUCTURE
STA. 1239+75
SCALE: NOT TO SCALE DRAWN BY: AMB
DATE: MARCH 25, 2005 CHECKED BY: TB