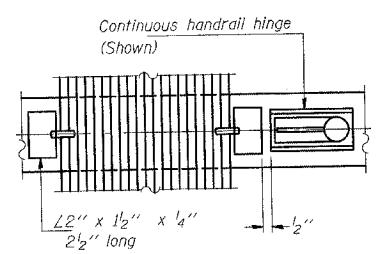
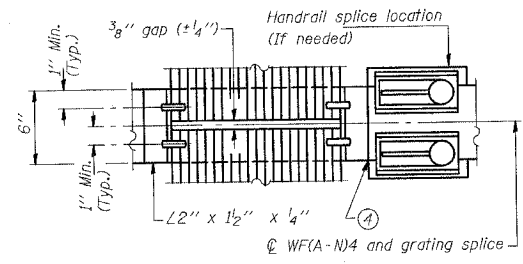


SECTION B-B



(CONTINUOUS WALKWAY GRATING)

SECTION W-W



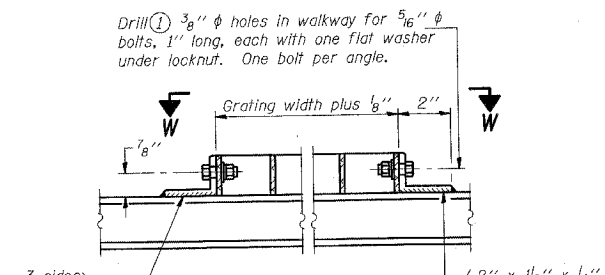
(AT WALKWAY GRATING SPLICE)

SPECIFICATIONS FOR STANDARD ALUMINUM GRATING

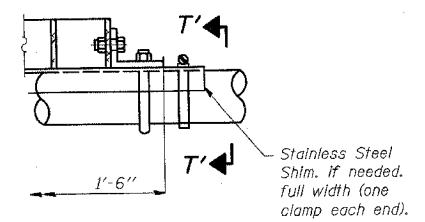
Main Bearing Bars (MBB) shall be 3/16" x 1/2" on 1 3/16" centers and conform to ASTM B211 Alloy 6061-T6.
 Cross bars (CB) shall be 3/16" x 1/2" on 4" centers and conform to ASTM B221 Alloy 6063-T5 or 6061-T6.

OR

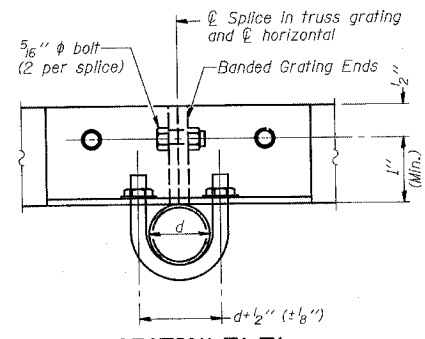
Aluminum Grating with modified "4" sections for main bearing bars shall meet the following requirements:
 Main bars shall conform to ASTM B221 Alloy 6061-T6 and have a minimum section modulus equal to 0.0705 in.³ per bar, a depth of 1/2", spaced on 1 3/16" centers.
 Cross bars shall conform to ASTM B221 Alloy 6063-T5 or T-42 and spaced on 4" centers.



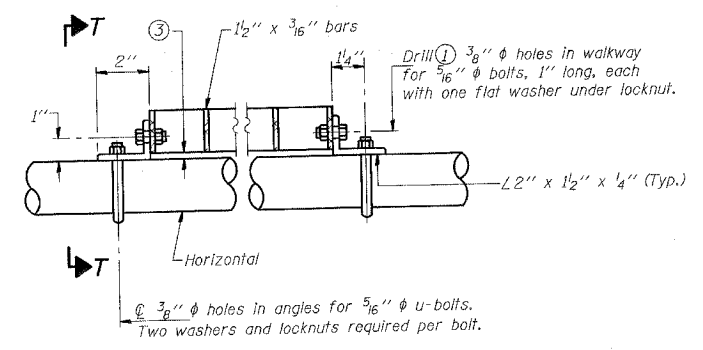
DETAIL W
(Walkway grating)



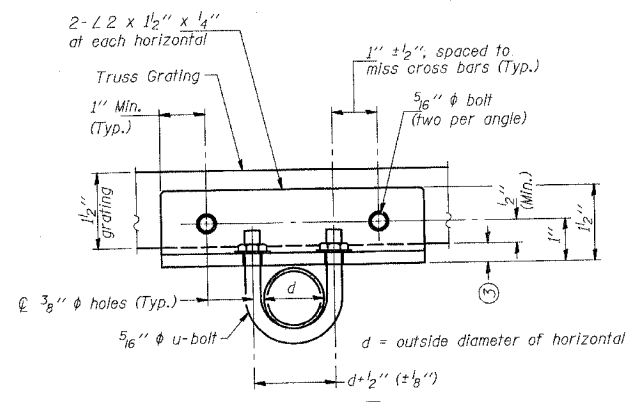
DETAIL T'
(Truss grating splice)
Details not shown same as Detail T.
Alternate materials may be used subject to the Engineer's review and approval.



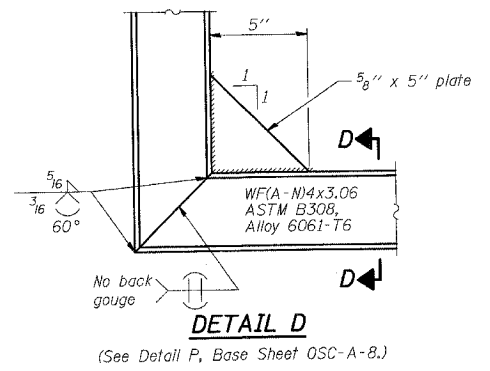
SECTION T'-T'



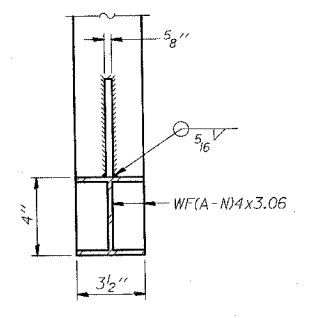
DETAIL T
(Truss grating at horizontal)



SECTION T-T



DETAIL D
(See Detail P, Base Sheet OSC-A-8.)



SECTION D-D

NUMBER	REVISION	DATE

- Drilling holes in grating may be done in shop or field, based on Contractor's preference and subject to accurate alignment.
- When truss grating must be spliced, use suggested detail or other methods subject to the Engineer's review and approval. Locate splices to avoid interference between cross bars and bolt locations.
- Tube to grating gap may vary from 0 to 1/2" (Max.) to align walkway, allow for camber, etc.
- If Handrail Joint present, weld angle to WF(A-N)4 and 1/4" extension bars. (See Base Sheet OSC-A-8)
- 2- 1/8" x 1/2" x 2" welded to handrail posts to protect locations that contact grating.

Structure Number	Station	A	B	C	D
IC0161057L357.8	117+30	8.5'	5.25'	7'	12'-9"
IC0161057R063.0	144+75	8.5'	1'-3"	7'	8'-9"
IC0161094R062.6	1216+75	8.5'	2'-0"	7'	9'-6"
IC0161094R062.4	1227+50	8.5'	3'-0"	7'	10'-6"

OSC-A-7 11/1/2002

REVISIONS	
NAME	DATE

ILLINOIS DEPARTMENT OF TRANSPORTATION
 F.A.I. 94 (DAN RYAN EXPRESSWAY)
 CANTILEVER SIGN STRUCTURES
 WALKWAY DETAILS
 ALUMINUM TRUSS & STEEL POST

SCALE: AS NOTED DRAWN BY: AMB
 DATE: MARCH 25, 2005 CHECKED BY: TB