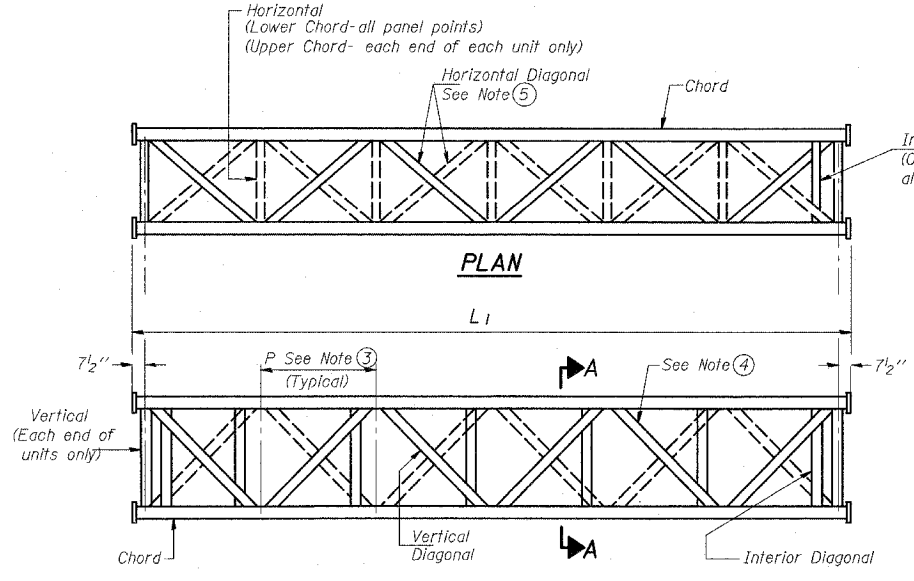
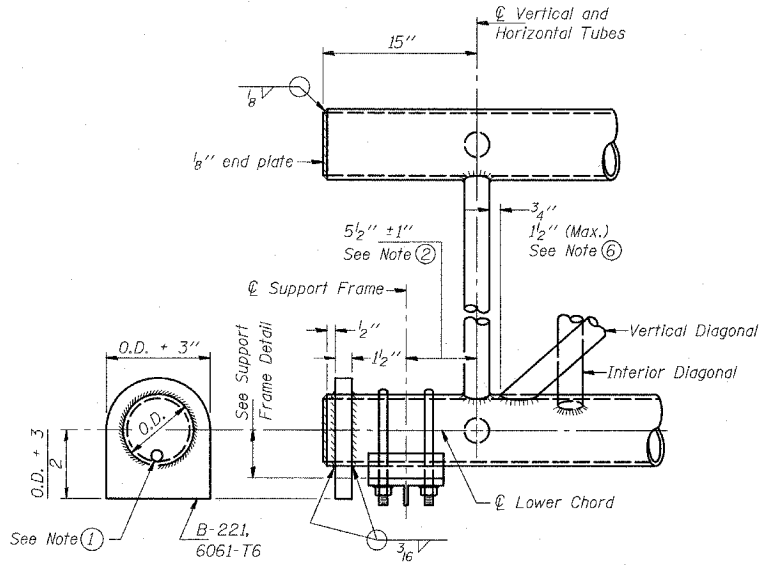


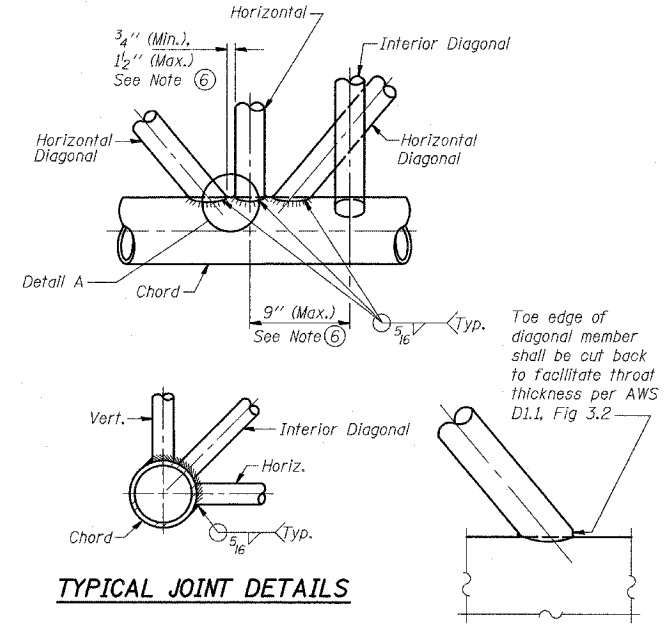
STATE OF ILLINOIS  
DEPARTMENT OF TRANSPORTATION



**ELEVATION  
TYPICAL INTERIOR UNIT**  
Even number of panels/interior unit required.



**SUPPORT END DETAIL FOR EXTERIOR UNIT**

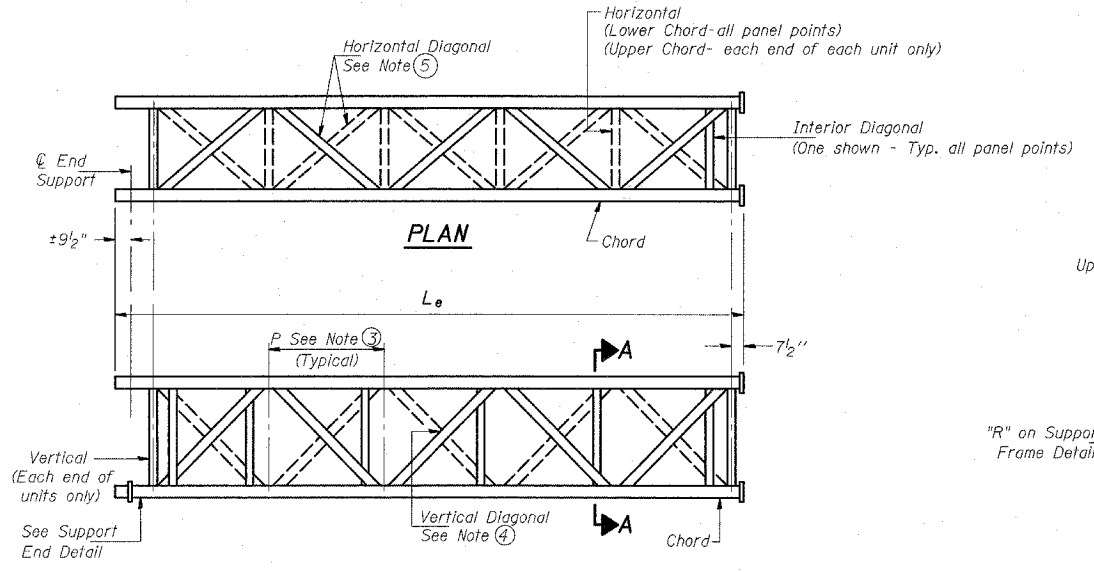


**TYPICAL JOINT DETAILS**

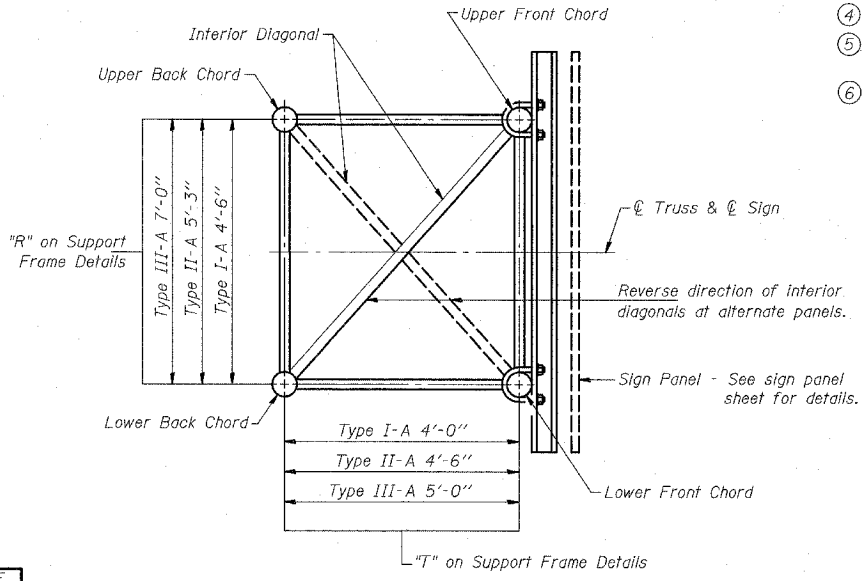
**DETAIL A**

**NOTES**

- Contractor may alternatively use standard aluminum drive-fit cap to close end. 1/2" diameter drain hole in end plate/drive-fit cap. (Typ. at ends of all chords)
- 5 1/2" end dimension may vary by +/- 1" to provide uniform panel spacing (P).
- Panel spacing (P) shall be uniform for entire truss and between 4'-0" and 5'-0" for Type I-A or 4'-0" and 5'-6" for Types II-A and III-A.
- Vertical Diagonals in front and back face shall alternate.
- Hidden lines show wind bracing alternates direction between planes of top and bottom chords.
- All diagonals shall be detailed for minimum offset from the panel point based on the following: Offset shall be such as to provide a 3/4" minimum to 1 1/2" maximum clearance between any diagonal and any horizontal or vertical member, and to provide clearance for U-bolt connections of signs or walkway brackets.



**ELEVATION  
TYPICAL EXTERIOR UNIT**  
Even or odd number of panels/exterior units allowed.



**SECTION A-A**

DESIGNED	
CHECKED	
DRAWN	
CHECKED	

EXAMINED	20
PASSED	ENGINEER OF STRUCTURAL SERVICES
	ENGINEER OF BRIDGES AND STRUCTURES

NUMBER	REVISION	DATE

OS-A-2 11/1/2002

TYLIN INTERNATIONAL

REVISIONS	
NAME	DATE

ILLINOIS DEPARTMENT OF TRANSPORTATION  
F.A.I. 94 (DAN RYAN EXPRESSWAY)  
OVERHEAD SIGN STRUCTURES  
ALUMINUM TRUSS DETAILS  
FOR TRUSS TYPES I-A, II-A AND III-A

SCALE: AS NOTED DRAWN BY: AMB  
DATE: MARCH 25, 2005 CHECKED BY: TB

3/30/2005 12:45:38 PM