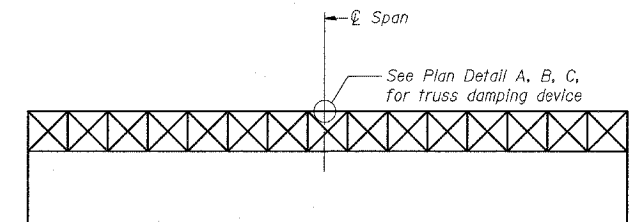
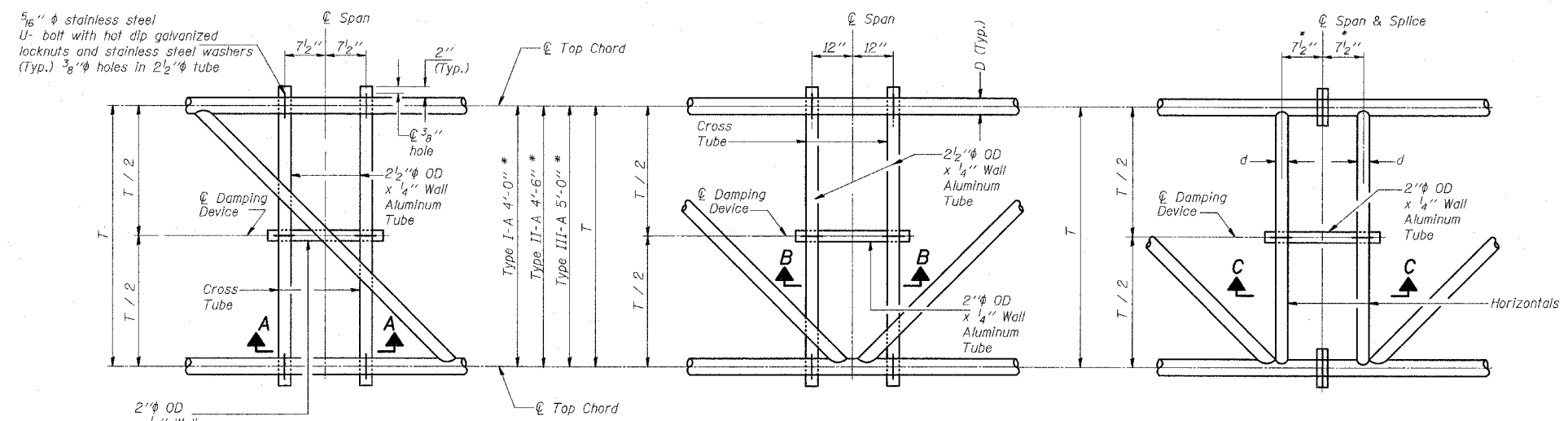


STATE OF ILLINOIS
DEPARTMENT OF TRANSPORTATION

* Center of horizontal to center of splice dimension may vary. Verify before drilling holes in mounting tube.



ELEVATION
Aluminum Overhead Sign Truss

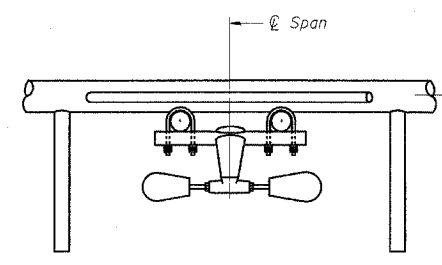
NOTES

Damper: One damper per truss.
(31 lbs. Stockbridge-Type Aluminum)
Cost included in "Overhead Sign Structure..."
Materials: Aluminum tubes shall be ASTM B221 alloy 6061 temper T6. Cost included in "Overhead Sign Structure..."

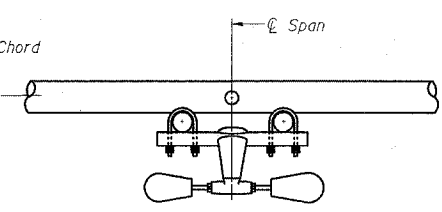
PLAN DETAIL "A"
Span BETWEEN PANEL POINTS

PLAN DETAIL "B"
Span AT PANEL POINT

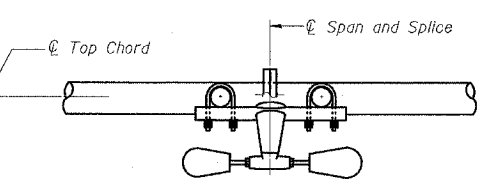
PLAN DETAIL "C"
Span AT CHORD SPLICE



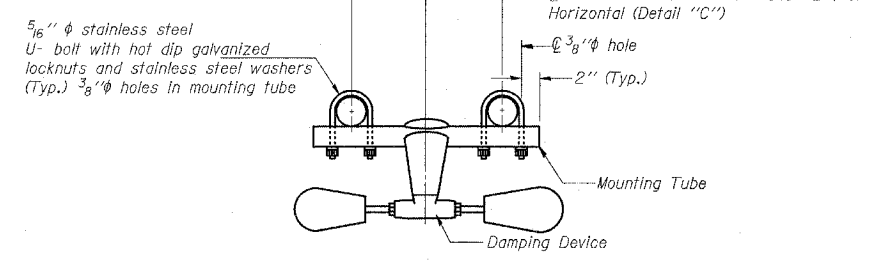
SECTION A-A



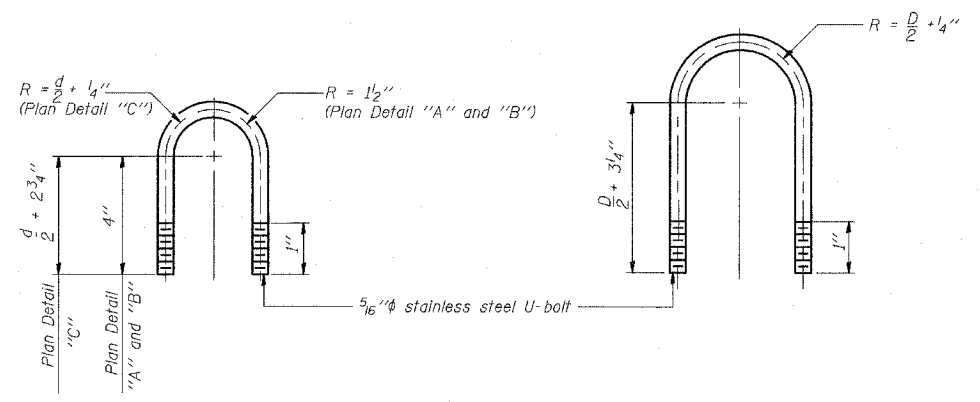
SECTION B-B



SECTION C-C



TRUSS DAMPING DEVICE CONNECTION DETAIL
(Typical)



DAMPING DEVICE MOUNTING TUBE U-BOLT DETAIL
(Typical)

TOP CHORD TO CROSS TUBE U-BOLT DETAIL
(Typical - Detail "A" and "B")

DESIGNED	20
CHECKED	EXAMINED
DRAWN	PASSED
CHECKED	ENGINEER OF BRIDGES AND STRUCTURES

OS-A-D 11/1/2002

REVISIONS	
NAME	DATE

ILLINOIS DEPARTMENT OF TRANSPORTATION
F.A.I. 94 (DAN RYAN EXPRESSWAY)
OVERHEAD SIGN STRUCTURES DAMPING DEVICE
SCALE: AS NOTED DRAWN BY: AMB
DATE: MARCH 25, 2005 CHECKED BY: TB