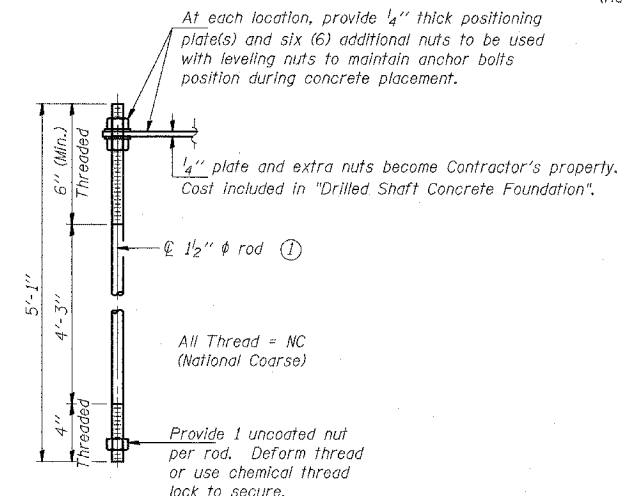
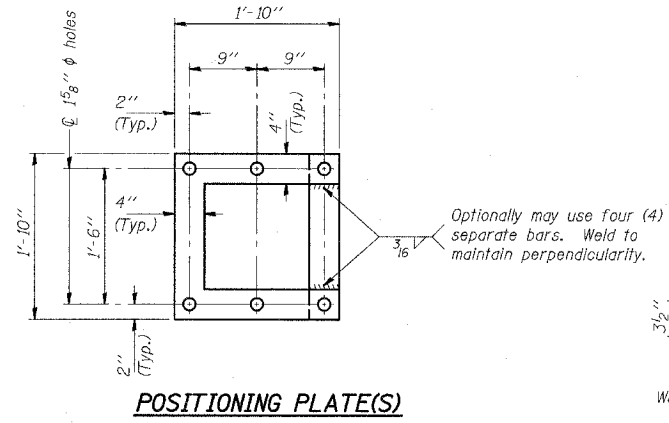
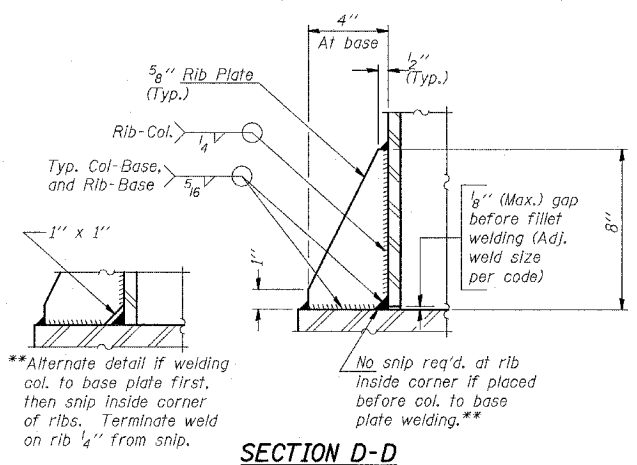
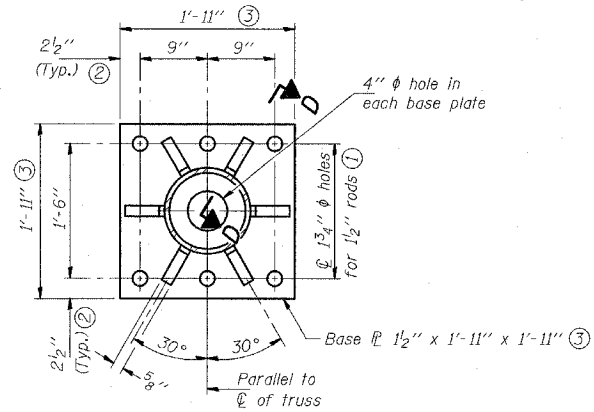
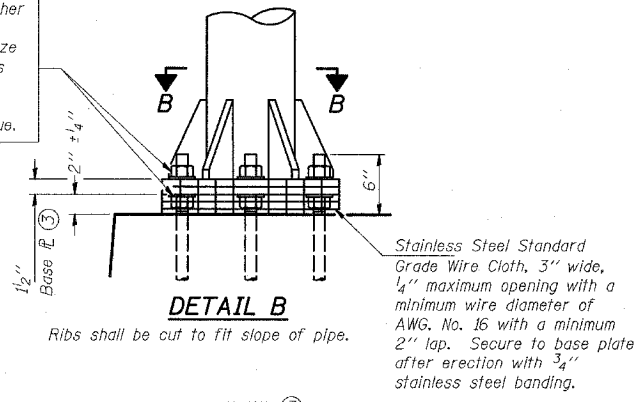


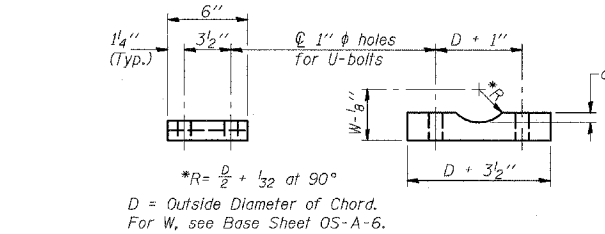
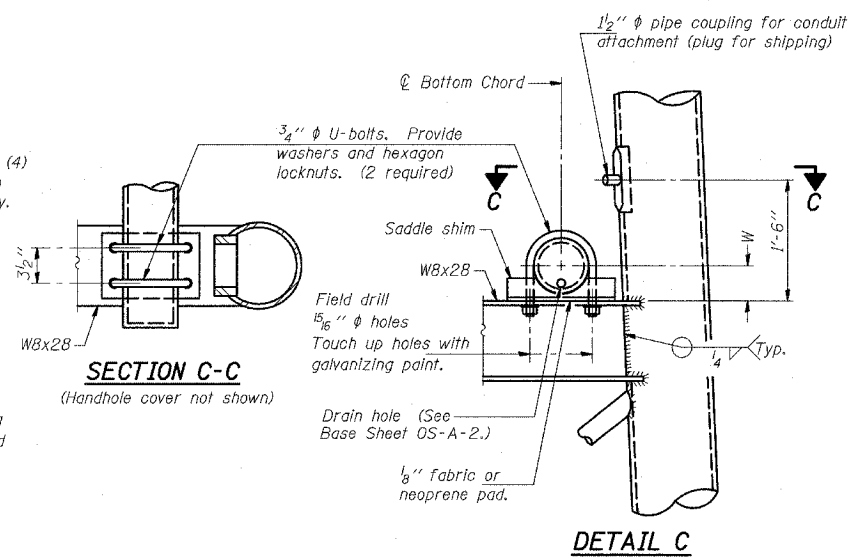
STATE OF ILLINOIS
DEPARTMENT OF TRANSPORTATION

Hexagon locknut and washer (top), leveling nut and washer (bottom). Galvanize per AASHTO M232. Nuts shall each be tightened against base plate with 200 lb.-ft. minimum torque.



TYPE III-A TRUSS
12" ϕ PIPE SUPPORT FRAME DETAILS

- Notes: For Type III-A Truss spans greater than 150 ft, and up to 160 ft.:
- ① 1 3/4" ϕ rod, 2" ϕ holes
 - ② 2 3/4" edge distance
 - ③ Base ϕ 1 5/8" x 1'-11 1/2" x 1'-11 1/2"



Truss Chord Nominal Dia.	a
7"	1"
8 1/2"	1 1/4"
9"	1 3/8"

SADDLE SHIM DETAIL

ASTM B26 Alloy 356-F

or

ASTM B209 Alloy 6061-T651 (4 required per sign truss)

DESIGNED		20
CHECKED	EXAMINED	
DRAWN	PASSED	
CHECKED		

NUMBER	REVISION	DATE

OS4-A-8aA 11/1/2002

TYLIN INTERNATIONAL

REVISIONS	
NAME	DATE

ILLINOIS DEPARTMENT OF TRANSPORTATION
F.A.I. 94 (DAN RYAN EXPRESSWAY)

OVERHEAD SIGN STRUCTURES
SUPPORT FRAME FOR TYPE III-A
ALUMINUM TRUSS

SCALE: AS NOTED
DATE: MARCH 25, 2005

DRAWN BY: AMB
CHECKED BY: TB