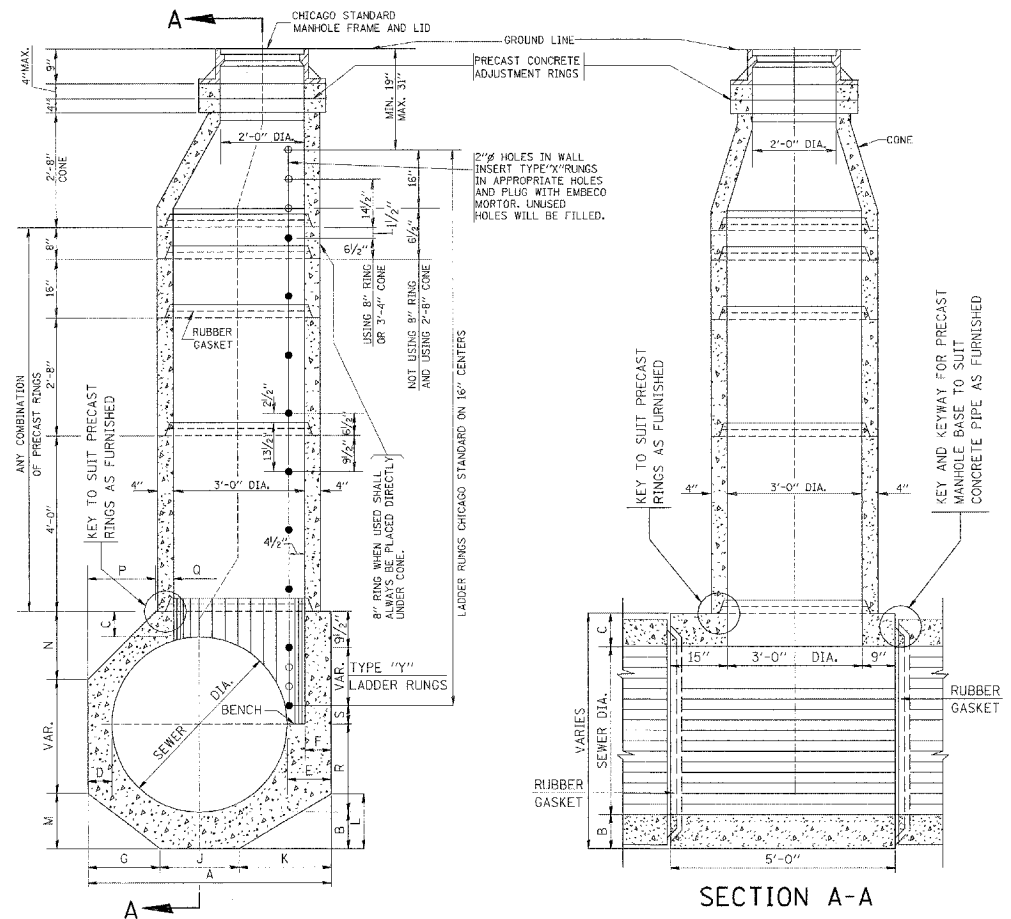
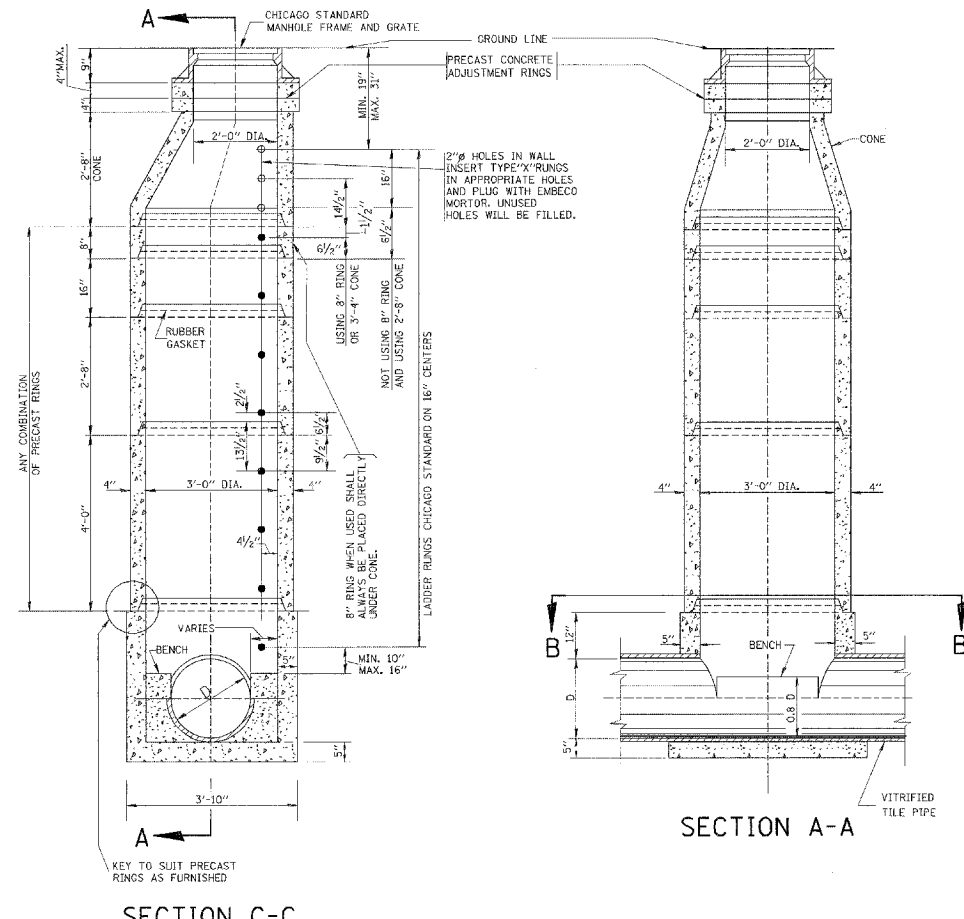


P.A. SHEET	SECTION	COUNTY	TOTAL SHEETS	SHEET NO.
			907	702
STA.	TO STA.			
FED. ROAD DIST. NO.	ILLINOIS	FED. AID PROJECT		

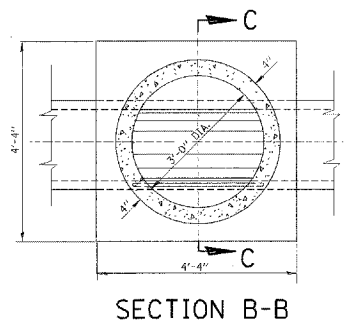


SECTION A-A



SECTION C-C

SECTION A-A



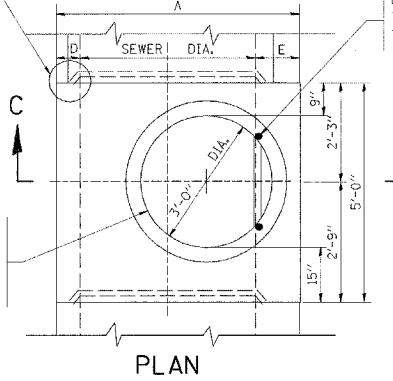
SECTION B-B

TYPE "A" MANHOLE
FOR SEWERS
24" TO 120" DIAMETER
PRECAST BASES AND RINGS

TYPE "A" MANHOLE
FOR SEWERS
21" DIAMETER AND SMALLER
PRECAST BASES AND RINGS

KEY AND KEYWAY FOR PRECAST MANHOLE BASE TO SUIT CONCRETE PIPE AS FURNISHED

SECTION C-C



PLAN

LADDER RUNGS:
TYPE "X" AT MANHOLE
TYPE "Y" AT BASE

SCALE: 1/2" = 1'-0"

SEWER DIA.	PART OF ITEM	DIMENSIONS OF PRECAST MANHOLE BASE														No. "Y" RINGS		
		A	B	C	D	E	F	G	J	K	L	M	N	P	Q		R	
120"		12'-4 1/2"	12"	12"	12"	16 1/2"	12"	4'-0"	4'-0"	4'-4 1/2"	2'-7 1/2"	2'-5"	3'-7"	3'-7"	4'-8 1/2"	2'-0"	2 1/2"	7
108"		11'-8 1/2"	12"	12"	12"	16 1/2"	12"	3'-8"	3'-8"	4'-0 1/2"	2'-5"	2'-2"	3'-4"	3'-4"	4'-0 1/2"	2'-0"	6 1/2"	6
102"		10'-10 1/2"	12"	12"	12"	16 1/2"	12"	3'-6"	3'-6"	3'-10 1/2"	2'-4"	2'-1"	3'-2"	3'-2"	3'-8 1/2"	2'-0"	16 1/2"	5
96"	10-A	10'-2 1/2"	11"	11"	11"	15 1/2"	11"	3'-3"	3'-3"	3'-8 1/2"	2'-3"	2'-11"	2'-11"	3'-4 1/2"	2'-0"	9 1/2"	5	
90"	10-B	9'-8 1/2"	11"	11"	11"	15 1/2"	11"	3'-1"	3'-1"	3'-6 1/2"	2'-1 1/2"	2'-10"	2'-10"	2'-11 1/2"	2'-0"	3 1/2"	5	
84"	10-C	9'-0 1/2"	10"	10"	10"	14 1/2"	10"	2'-11"	2'-11"	3'-2 1/2"	2'-3"	2'-7"	2'-7"	2'-7 1/2"	2'-0"	12 1/2"	4	
78"	10-D	8'-6 1/2"	10"	10"	10"	14 1/2"	10"	2'-9"	2'-9"	3'-0 1/2"	2'-2"	2'-6"	2'-6"	2'-2 1/2"	2'-0"	6 1/2"	4	
72"	10	7'-10 1/2"	9"	9"	9"	13 1/2"	9"	2'-6"	2'-6"	2'-10 1/2"	2'-1"	18"	2'-3"	2'-3"	2'-2 1/2"	2'-0"	15 1/2"	3
66"	11	7'-4 1/2"	9"	9"	9"	13 1/2"	9"	2'-4"	2'-4"	2'-8 1/2"	19 1/2"	17"	2'-1"	2'-1"	18 1/2"	2'-0"	9 1/2"	3
60"	12	6'-8 1/2"	8"	8"	8"	12 1/2"	8"	2'-1 1/2"	2'-1"	2'-6"	18"	15"	2'-3"	2'-3"	13 1/2"	2'-0"	2 1/2"	3
54"	13	6'-2 1/2"	8"	8"	8"	12 1/2"	8"	2'-3 1/2"	2'-3"	2'-4"	17"	14"	2'-1"	2'-1"	9 1/2"	2'-0"	12 1/2"	2
48"	14	5'-6 1/2"	7"	7"	7"	11 1/2"	7"	2'-0 1/2"	2'-0"	2'-1"	15"	12 1/2"	18 1/2"	18 1/2"	5"	2'-0"	5 1/2"	2
42"	15	5'-0 1/2"	7"	7"	7"	11 1/2"	7"	18 1/2"	19"	23"	14"	11"	---	---	17 1/2"	2'-0"	2 1/2"	1
36"	16	4'-4 1/2"	6"	6"	6"	10 1/2"	6"	16"	16"	20 1/2"	12 1/2"	9 1/2"	---	---	10 1/2"	18"	14 1/2"	2
30"	17	4'-0"	6"	6"	6"	12"	6"	14"	14"	20"	12"	8 1/2"	---	---	6"	15"	11 1/2"	1
24"	18	4'-0"	6"	6"	6"	12"	6"	16"	16"	16"	9 1/2"	9 1/2"	---	---	6"	12"	8 1/2"	1

FOR STATE CONTRACT
ALL DIMENSIONS SHOULD
BE PREPARED IN METRIC
UNITS. SOFT CONVERSION
METHOD SHOULD BE USED.

REVISIONS	
DATE	DESCRIPTION
6-18-82	CHICAGO STANDARD MH
9-22-90	TYPE "A" MANHOLE

CITY OF CHICAGO
DRAINAGE
DETAILS
10/18/2002