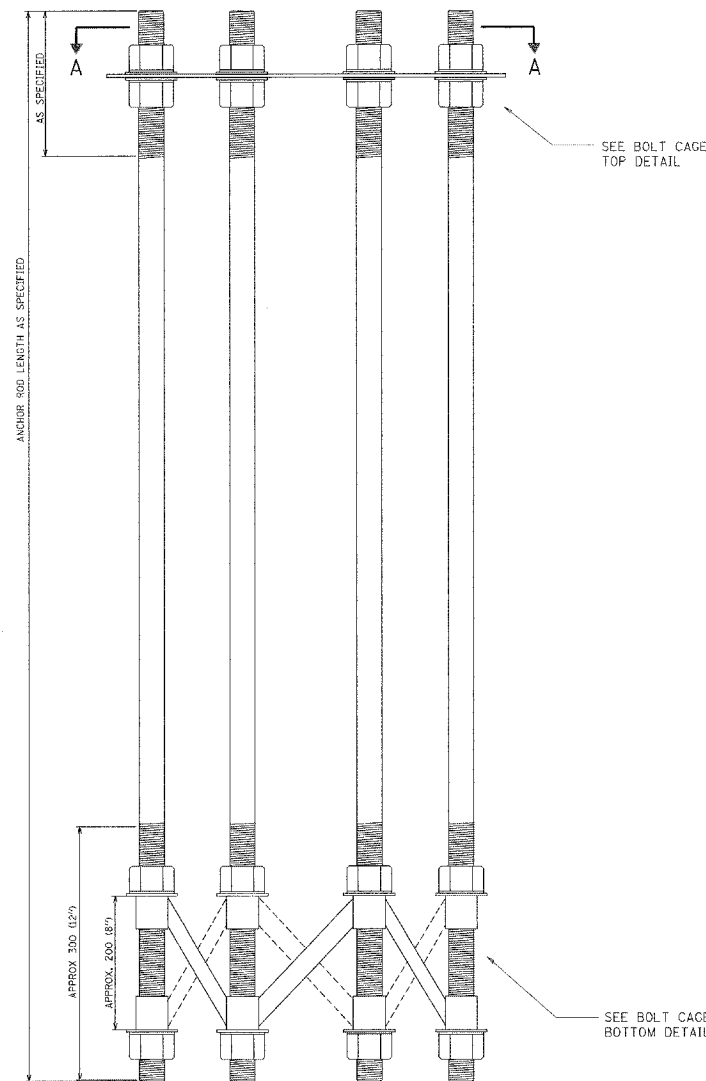
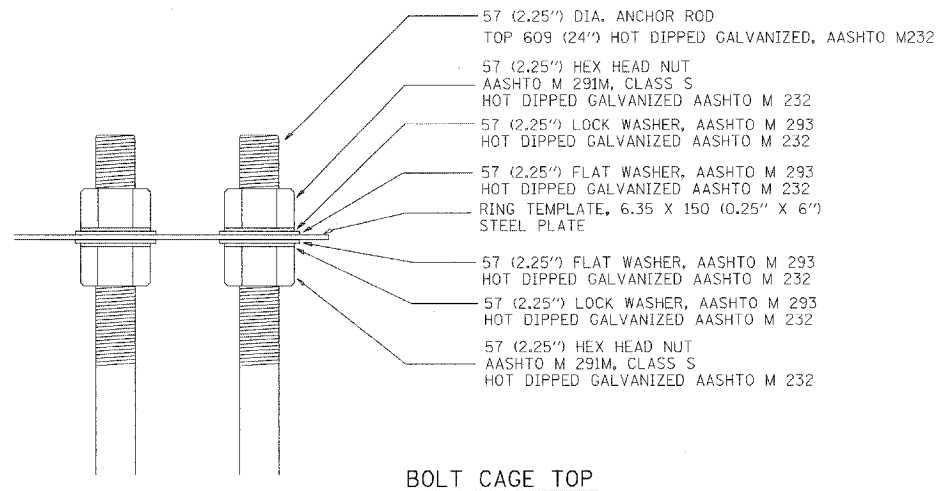


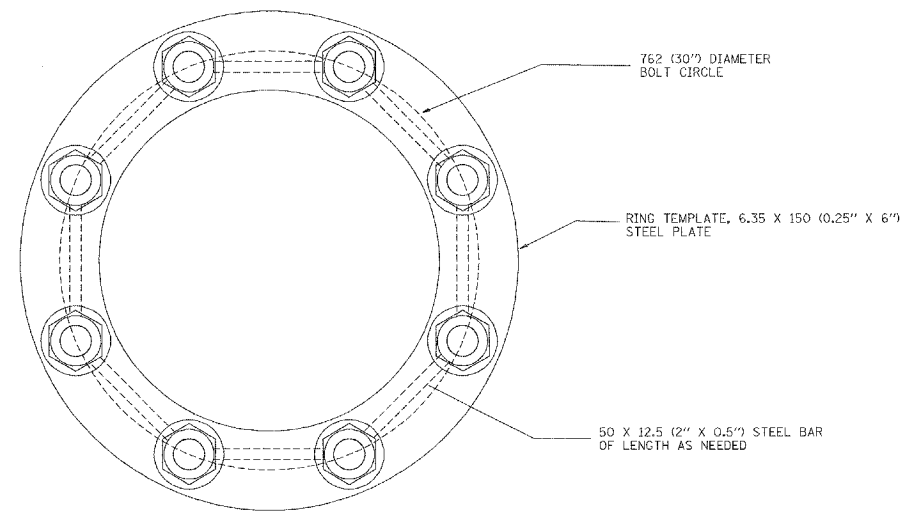
F. A. RT.	SECTION	COUNTY	TOTAL SHEETS	SHEET NO.
			907	803
STA.	TO STA.			
FED. ROAD DIST. NO. 1	BILLINGS	FED. AID PROJECT		



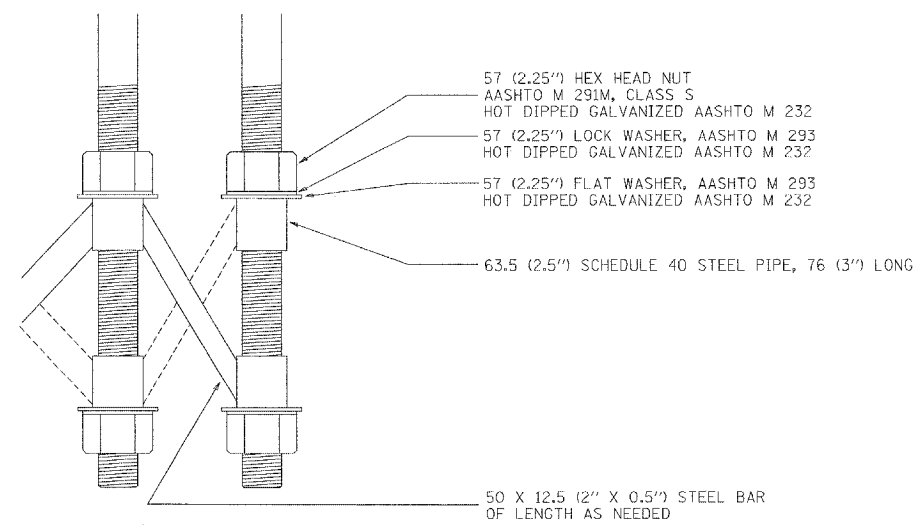
ANCHOR BOLT CAGE



BOLT CAGE TOP



SECTION A-A



BOLT CAGE BOTTOM

NOTES

1. ALL DIMENSIONS IN MILLIMETERS (INCHES) UNLESS OTHERWISE SHOWN
2. ANCHOR RODS SHALL BE STRAIGHT AND SHALL BE ACCORDING TO AASHTO M 314 OR ASTM F1554, GRADE 725 (GRADE 105) AND GALVANIZED ACCORDING TO ARTICLE 1006.09.
3. ANCHOR ROD INFORMATION SHALL BE SUBMITTED FOR APPROVAL AND SHALL BE FULLY COORDINATED WITH TOWER MANUFACTURERS REQUIREMENTS.

DATE-TIME
DOW-SPEC
VH-BEB

REVISIONS	
NAME	DATE

BE501

ILLINOIS DEPARTMENT OF TRANSPORTATION

HIGH MAST LIGHT TOWER
27m TO 36m (90FT TO 120FT)
FOUNDATION DETAIL

SHEET 2 OF 2

SCALE: NONE
DATE 10/18/2002

DRAWN BY
CHECKED BY
BE08 (BE501)