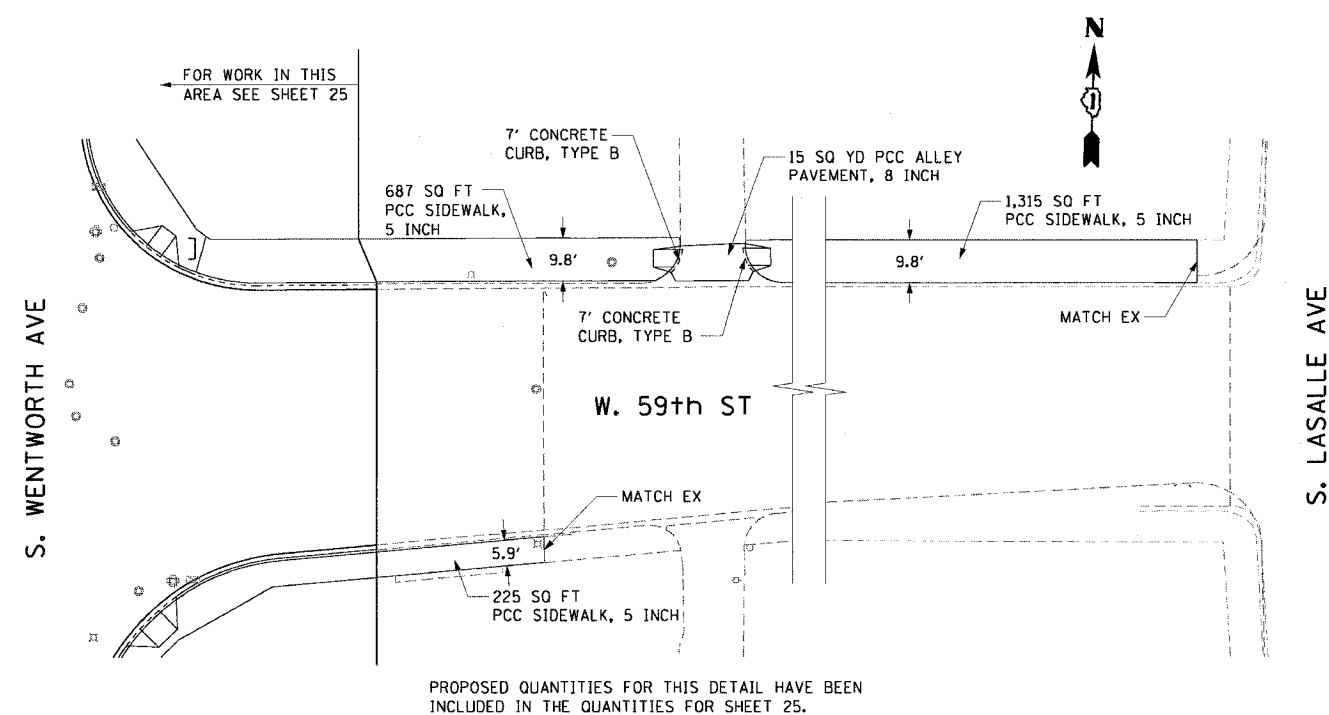
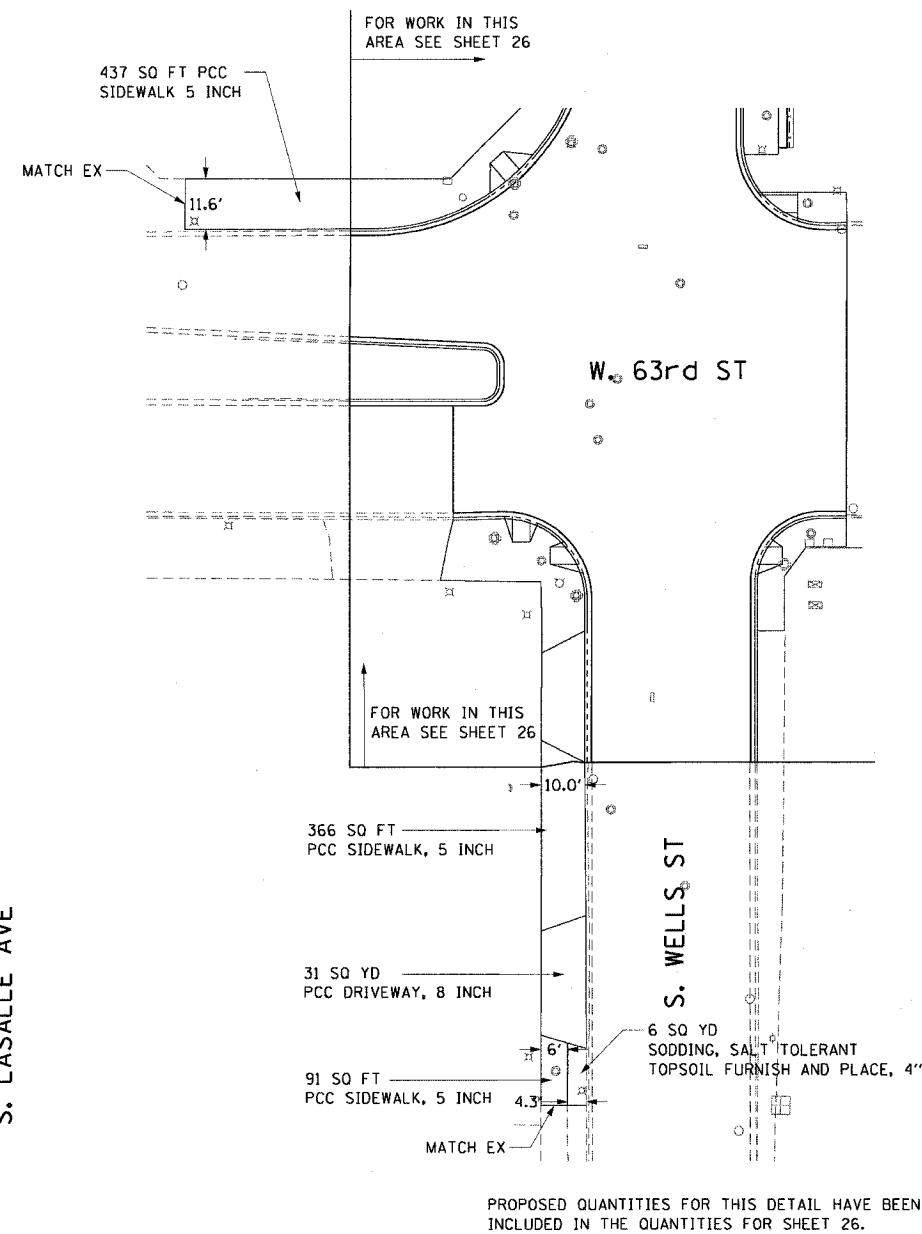
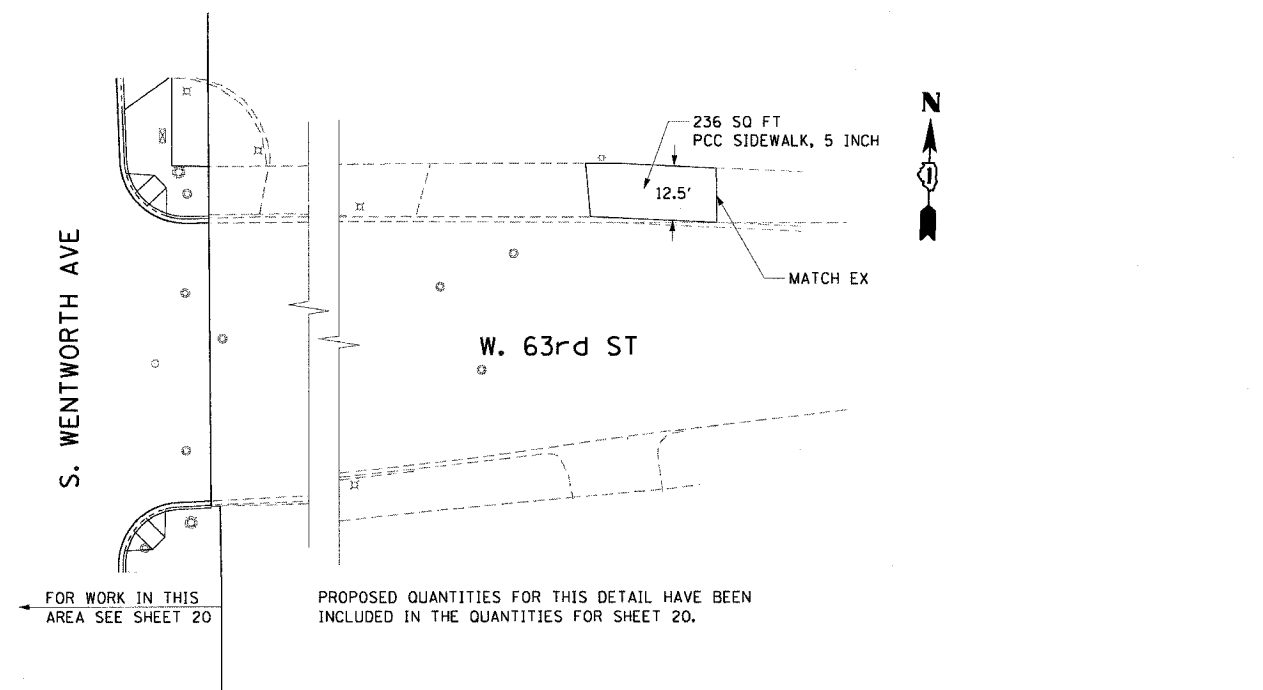


F.A.I. RTE.	SECTION	COUNTY	TOTAL SHEETS	SHEET NO.
90/94	2004-094 I	COOK	40	37
STA.	TO STA.			
FED. ROAD DIST. NO. 1 ILLINOIS FED. AID PROJECT				

62835



- NOTES:
- SEE CONTRACTS 62839 AND 62840 FOR EXACT LOCATIONS AND SEQUENCE OF ROADWAY REMOVALS.

CTE ENGINEERS
 CONSOER TOWNSEND ENVRADYNE ENGINEERS, INC.
 303 EAST WACKER DRIVE, SUITE 600
 CHICAGO, ILLINOIS 60601-5212, PHONE: (312) 938-0300

REVISIONS	
NAME	DATE

ILLINOIS DEPARTMENT OF TRANSPORTATION
 F.A.I. 90/94 (DAN RYAN EXPRESSWAY)
 63rd ST TO 59th ST (SIDEWALKS & DRIVEWAYS)
**ROADWAY DETAILS
 PROPOSED ROADWAY PLANS
 BEYOND SHEET LIMITS**

SCALE: NONE
 DATE: MARCH 04, 2005
 DRAWN BY: JB
 CHECKED BY: RMG

m:\p4\468\ch\14\46-cnt\90-94-ded_cmt\90-94-37.dwg 10-46:JB AM 03/01/2005