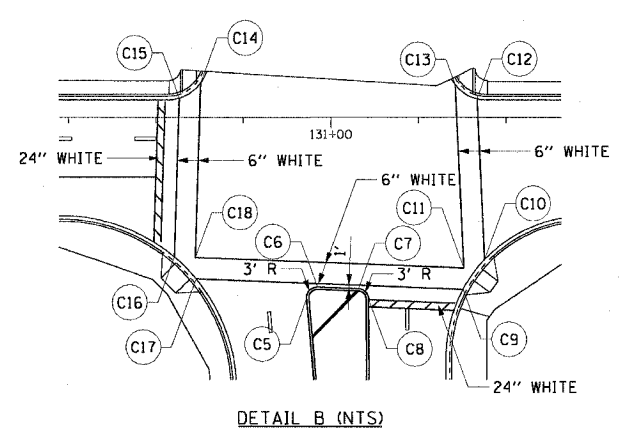


PT.	STATION	OFFSET	PT.	STATION	OFFSET	PT.	STATION	OFFSET
C1	9520+14.00	16.00' LT	C15	130+56.69	5.44' LT	C29	534+34.00	50.00' LT
C2	9520+15.09	0.00'	C16	130+55.23	39.77' RT	C30	534+45.59	50.00' LT
C3	127+01.48	2.00' LT	C17	130+61.41	45.99' RT	C31	534+48.59	52.99' LT
C4	128+10.97	2.00' LT	C18	130+61.22	39.99' RT	C32	534+73.94	8.82' RT
C5	130+92.95	51.59' RT	C19	528+54.54	0.00'	C33	539+62.85	16.17' LT
C6	130+96.06	48.33' RT	C20	9000+79.24	0.00'	C34	534+86.17	40.58' LT
C7	131+07.78	48.78' RT	C21	9000+79.24	16.00' LT	C35	534+79.90	43.00' LT
C8	131+10.66	51.77' RT	C22	529+59.60	0.00'	C36	534+80.09	49.00' LT
C9	131+37.56	48.93' RT	C23	530+94.26	10.00' LT	C37	533+79.35	49.00' LT
C10	131+43.73	40.43' RT	C24	531+64.46	1.00' LT	C38	533+78.74	43.00' LT
C11	131+37.84	42.94' RT	C25	533+15.89	17.00' LT	C39	533+72.34	42.65' LT
C12	131+41.62	5.28' LT	C26	533+83.58	17.00' LT	C40	534+01.22	8.30' RT
C13	131+35.44	9.21' LT	C27	534+09.08	55.00' LT	C41	533+93.22	5.00' RT
C14	130+62.83	9.69' LT	C28	534+31.01	53.20' LT			



LEGEND:

PAVEMENT MARKING (BY OTHERS)

NOTES:

1. ALL PAVEMENT MARKINGS SHALL BE POLYUREA TYPE 1.
2. THE PAVEMENT MARKINGS SHALL MATCH THOSE OF CONTRACT 62693 AT THE TOP OF RAMP 59C AND RAMP 59D.
3. THE PAVEMENT MARKINGS SHALL MATCH THOSE OF CONTRACT 62799 NORTH OF THE 59TH ST INTERSECTION.
4. STOP BARS AT THE SIDE STREETS SHALL BE PLACED 2' OFFSET OF THE EDGE OF PAVEMENT UNLESS OTHERWISE NOTED.
5. STOP BARS SHALL BE PLACED 4' IN ADVANCE OF AND PARALLEL TO THE CROSSWALK UNLESS OTHERWISE NOTED.
6. ALL STOP BAR DIMENSIONING IS TO THE CENTERLINE OF THE STOP BAR.
7. STATION CALLOUTS ARE BASED ON THE WELLS STREET AND WENTWORTH AVENUE BASELINES UNLESS OTHERWISE NOTED.
8. FOR PAVEMENT MARKING DETAILS AND LOCATIONS OF TURN LANE MARKINGS, SEE DISTRICT 1 STANDARD TC-24.

REVISIONS	
NAME	DATE

ILLINOIS DEPARTMENT OF TRANSPORTATION
 F.A.I. 90/94 (DAN RYAN EXPRESSWAY)
 63rd ST TO 59th ST (PAVEMENT MARKINGS)
PAVEMENT MARKING PLANS
 SCALE: 1"=50'
 DATE: March 4, 2005
 DRAWN BY: NJH
 CHECKED BY: RMG