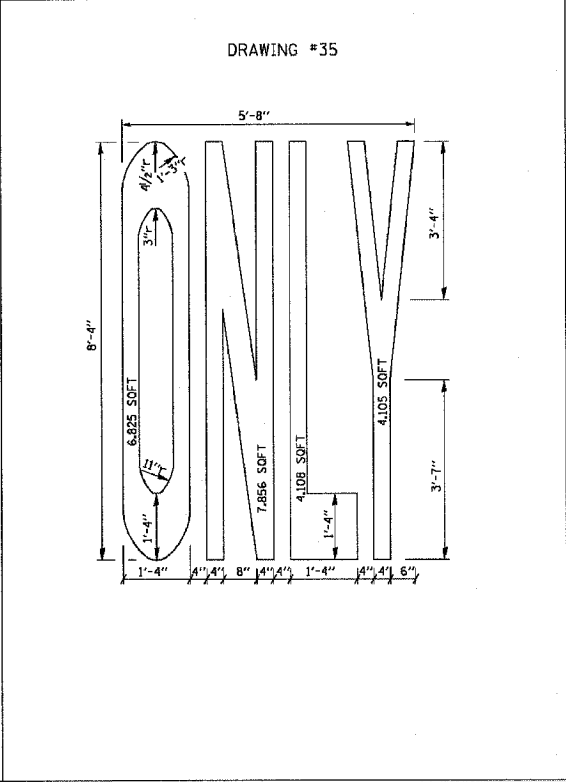
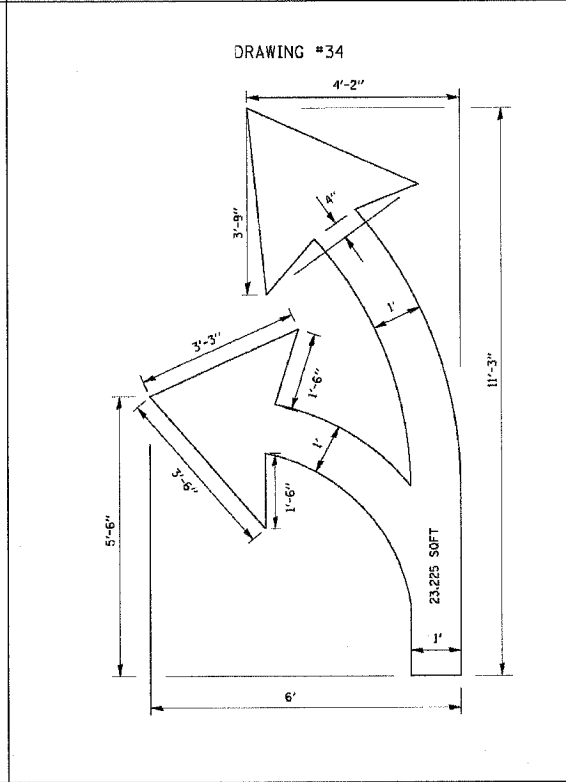
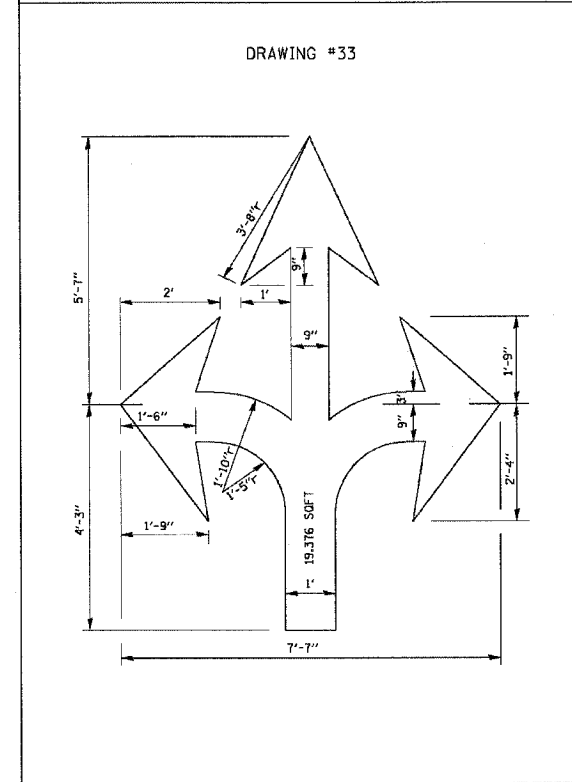
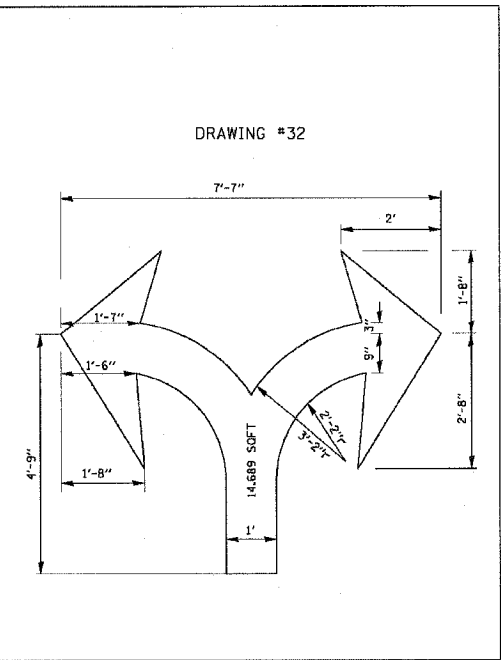
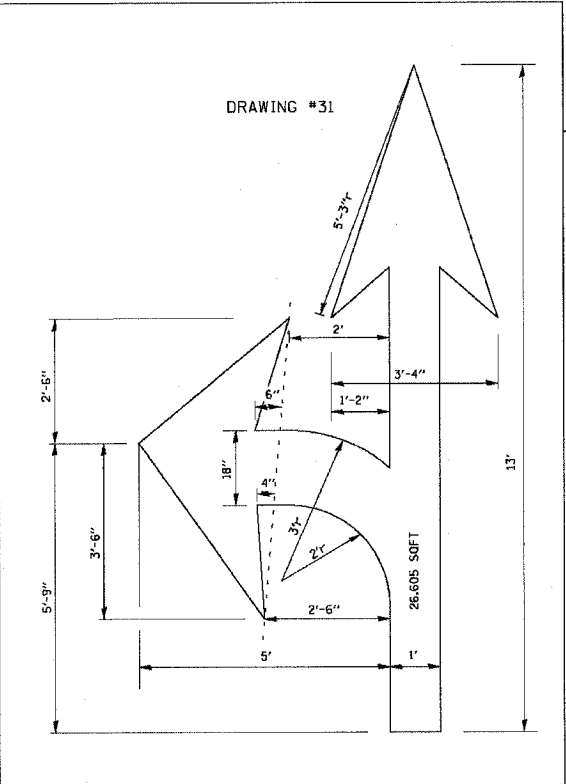
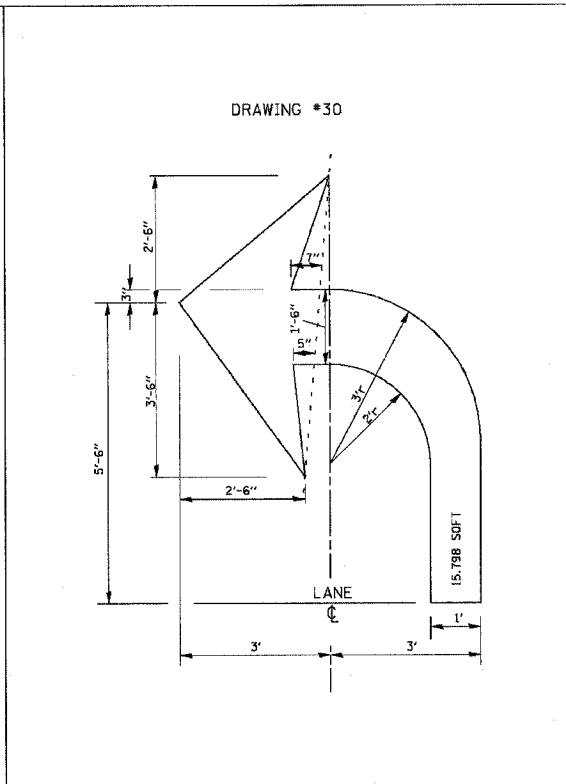
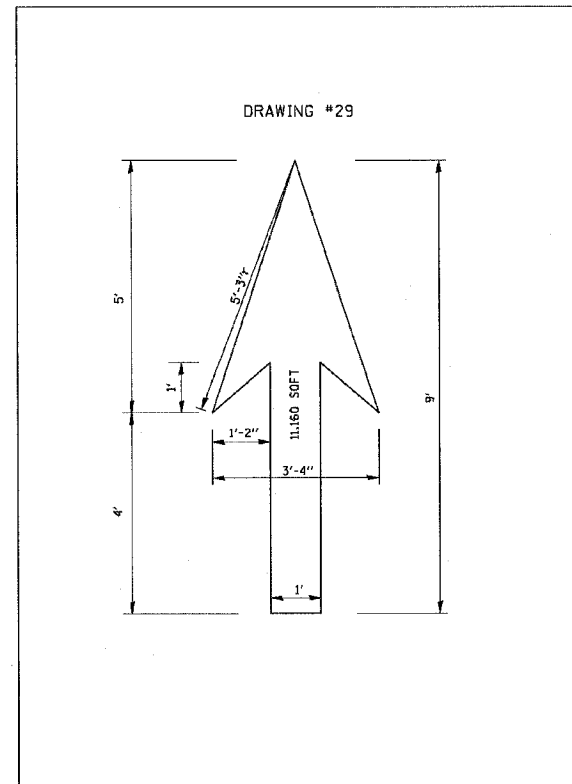


NOTE:

- FOR BIKE LANE SYMBOLS ONLY, USE PRE-FORMED THERMOPLASTIC SYMBOL MANUFACTURED BY 3M, PRODUCT "STAMARK" #3801
- THE RESIDENT ENGINEER SHALL CONTACT MR. BEN GOMBERG AT 312-744-8093 AT LEAST ONE CALENDAR WEEK PRIOR TO INSTALLING BIKE LANE SYMBOLS.

TYPICAL BIKE LANE SYMBOLS
DRAWING #28

DATE-TIME
DGN-SPEC
*V1-TC24



NOTE:
ALL MARKINGS SHALL BE SOLID WHITE UNLESS OTHERWISE NOTED IN THE PLANS

REVISIONS	
NAME	DATE
T. RAMMACHER	12/07/00

ILLINOIS DEPARTMENT OF TRANSPORTATION
CITY OF CHICAGO
TYPICAL PAVEMENT
MARKINGS.

SCALE: NONE
DATE 10/18/2002

DRAWN BY
CHECKED BY
TC-24

REVISION DATE: 12/07/00