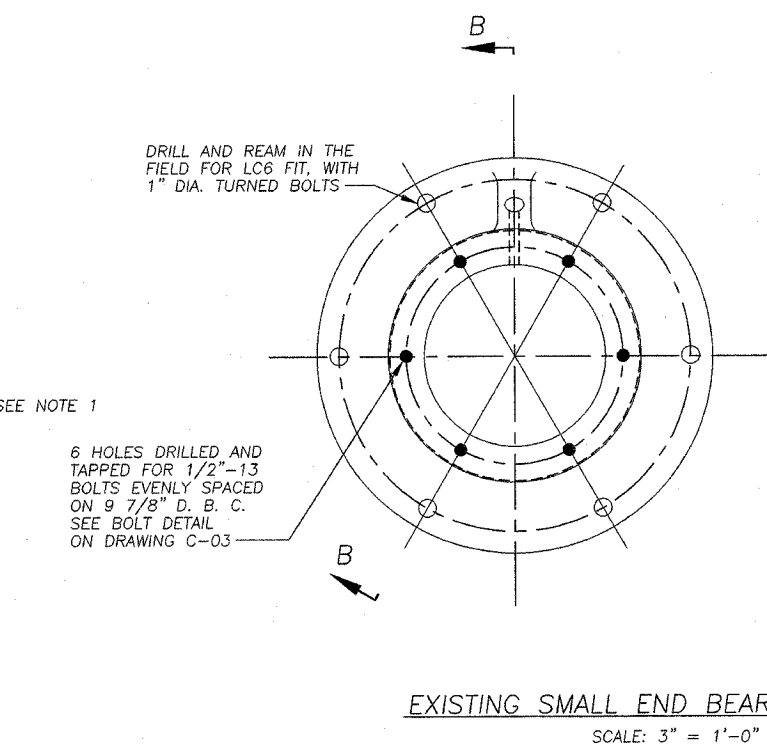
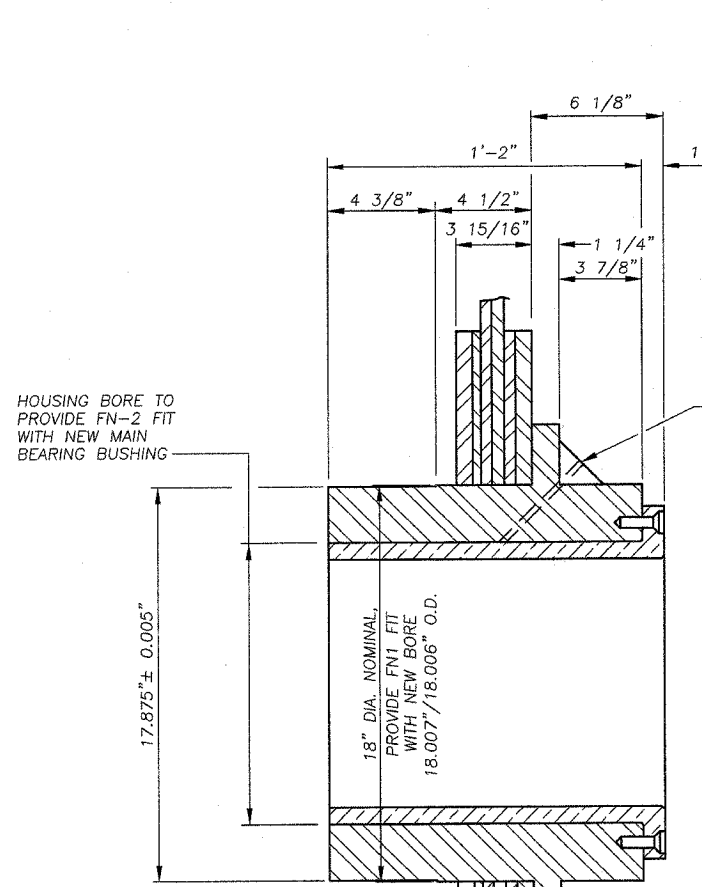
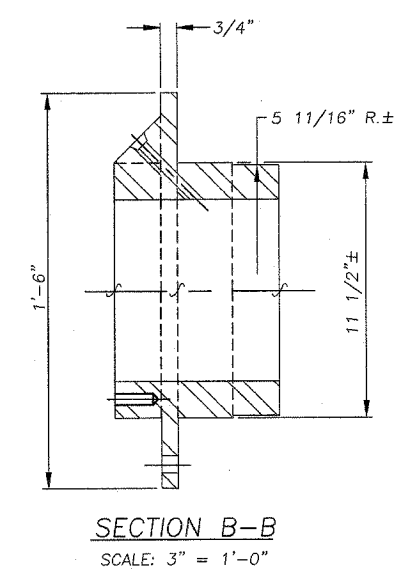


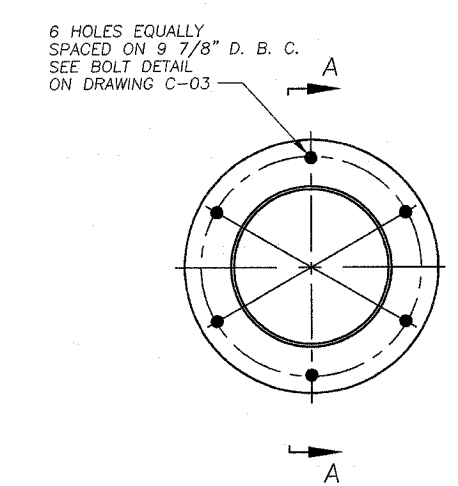
|                     |          |                  |           |              |
|---------------------|----------|------------------|-----------|--------------|
| ROUTE NO.           | SECT.    | COUNTY           | SHEET NO. | TOTAL SHEETS |
| FAP 607             | G-R-1-4  | WILL             | 9         | 10           |
| FED. ROAD DIST. NO. | ILLINOIS | FED. AID PROJECT |           |              |



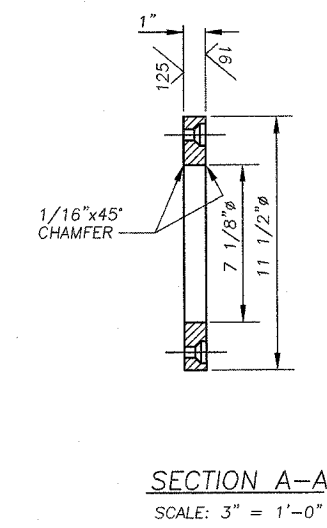
EXISTING SMALL END BEARING HOUSING  
SCALE: 3" = 1'-0"



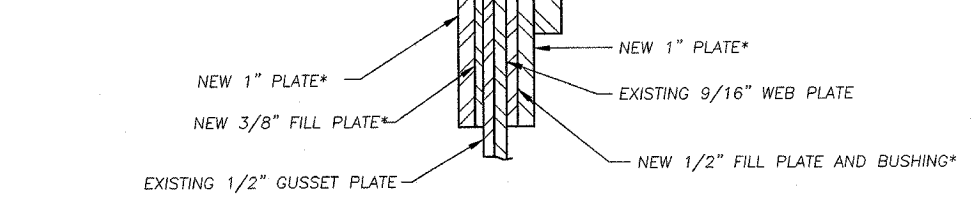
SECTION B-B  
SCALE: 3" = 1'-0"



NEW BRONZE THRUST WASHER FOR SMALL END PINION SHAFT  
SCALE: 3" = 1'-0"  
MAT'L: ASTM B22 ALLOY, 905 BRONZE (1 REQUIRED)



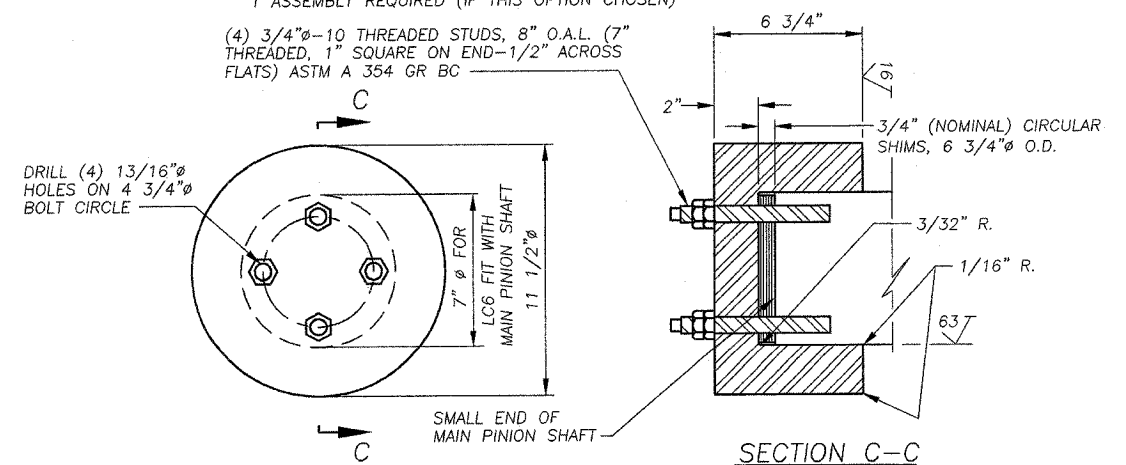
SECTION A-A  
SCALE: 3" = 1'-0"



NEW MAIN PINION BEARING HOUSING AND BUSHING  
SCALE: 3" = 1'-0"

FOR FINISH AND FIT REQUIREMENTS, SEE SPECIFICATIONS AND SOLID BRONZE BEARING DETAIL BELOW.  
1 ASSEMBLY REQUIRED (IF THIS OPTION CHOSEN)

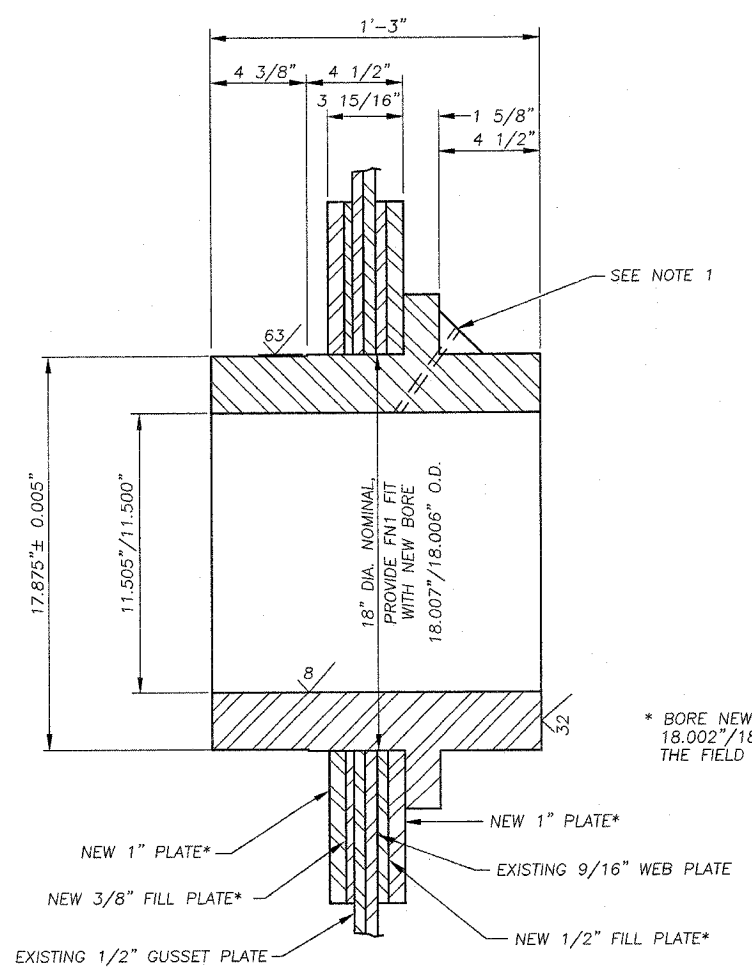
(4) 3/4" Ø-10 THREADED STUDS, 8" O.A.L. (7" THREADED, 1" SQUARE ON END-1/2" ACROSS FLATS) ASTM A 354 GR BC



NEW LOCKING COLLAR FOR SMALL END OF PINION SHAFT  
SCALE: 3" = 1'-0"

125 F.A.O. UNLESS NOTED OTHERWISE  
ASTM A668 CLASS G FORGING, 180-207 BHN; 25 FT-LBS @ 40°F MIN. AVG. CVN TOUGHNESS REQUIRED AT 1/4" RADIUS  
POSITION OF TEST PROLONGATION SAMPLES (SAME MATERIAL AS NEW PINION SHAFT)

Designed by: JWN  
Checked by: LRL  
Drafted by: TDES  
Checked by: JWN



NEW SOLID BRONZE PINION BEARING HOUSING  
SCALE: 3" = 1'-0"

ASTM B271 GRADE 92200, LEADED (1% MAX.) TIN BRONZE  
CENTRIFUGAL CASTING; 15ft-lbs @ 40°F MIN. AVERAGE CVN TOUGHNESS REQUIRED.  
1 REQUIRED (IF THIS OPTION CHOSEN)

- NOTES:
1. TAP FOR 1/4" NPTF ALEMITE GIANT BUTTON HEAD GREASE CUP.
  2. DETAILS SHOWN SHALL BE CONSIDERED SUPPLEMENTAL TO ATTACHED REVISED VERSIONS OF DRAWING NUMBERS C-02, C-03, AND C-04.

| REVISION  | DATE  | DESCRIPTION         |
|---|-------|---------------------|
| STATE OF ILLINOIS<br>DEPARTMENT OF TRANSPORTATION   |       |                     |
| NEW PINION BEARING HOUSING  |       |                     |
| CASS STREET BRIDGE OVER DESPLAINES RIVER<br>U.S. 30 (WESTBOUND)<br>CITY OF JOLIET, WILL COUNTY<br>STRUCTURE NUMBER 099-0101 |       |                     |
| MODJESKI AND MASTERS, INC.<br>HARRISBURG, PENNSYLVANIA  |       |                     |
| DRAWING NO.<br>C-07   | SCALE | DATE<br>7-10-2002   |
|   |       | SHEET NO.<br>7 OF 7 |