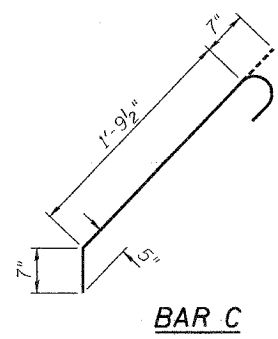
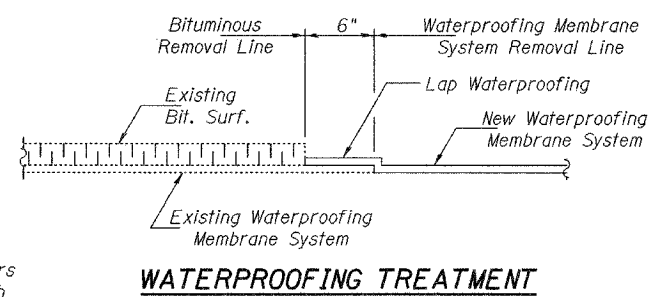
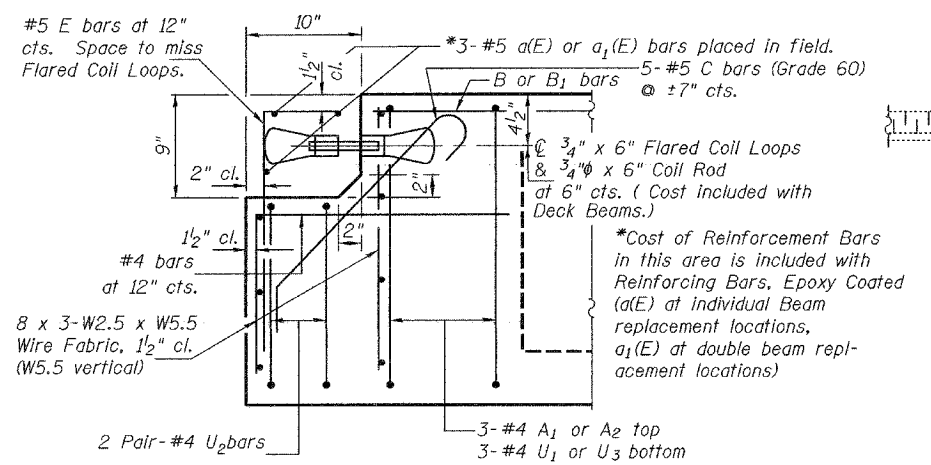
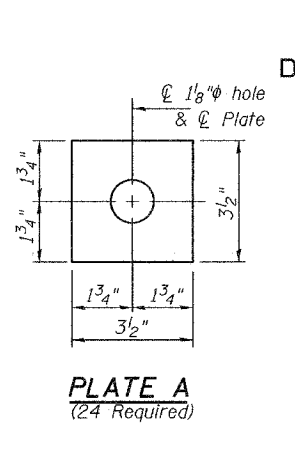
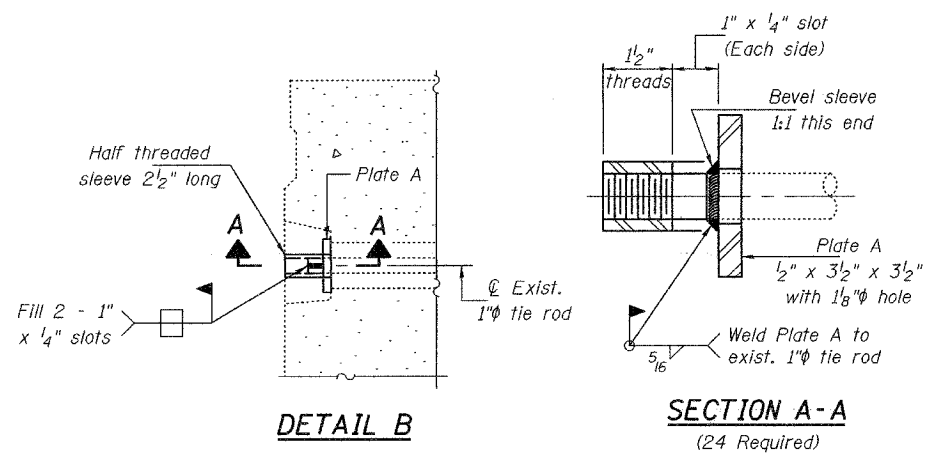


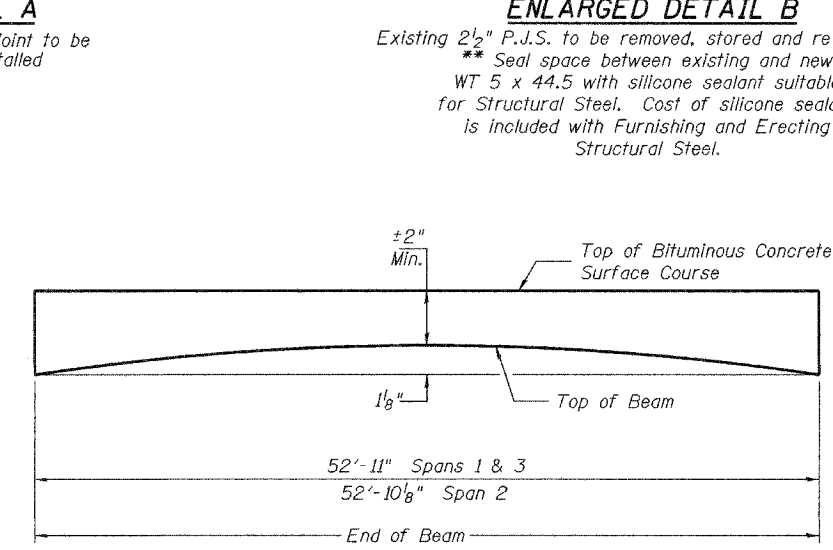
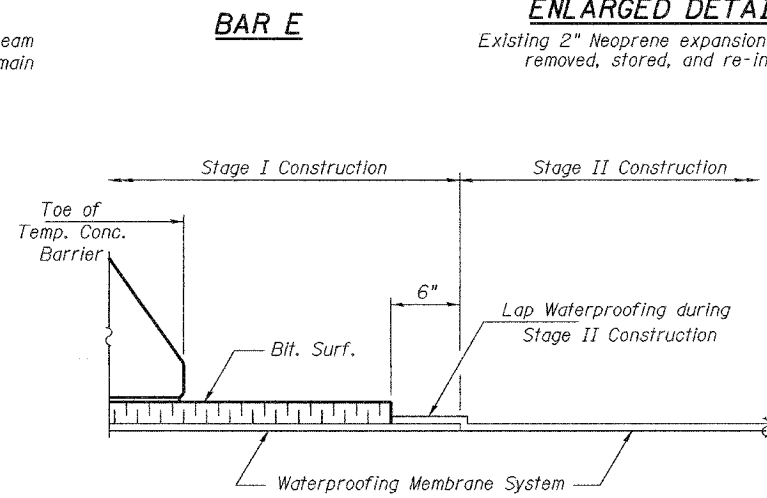
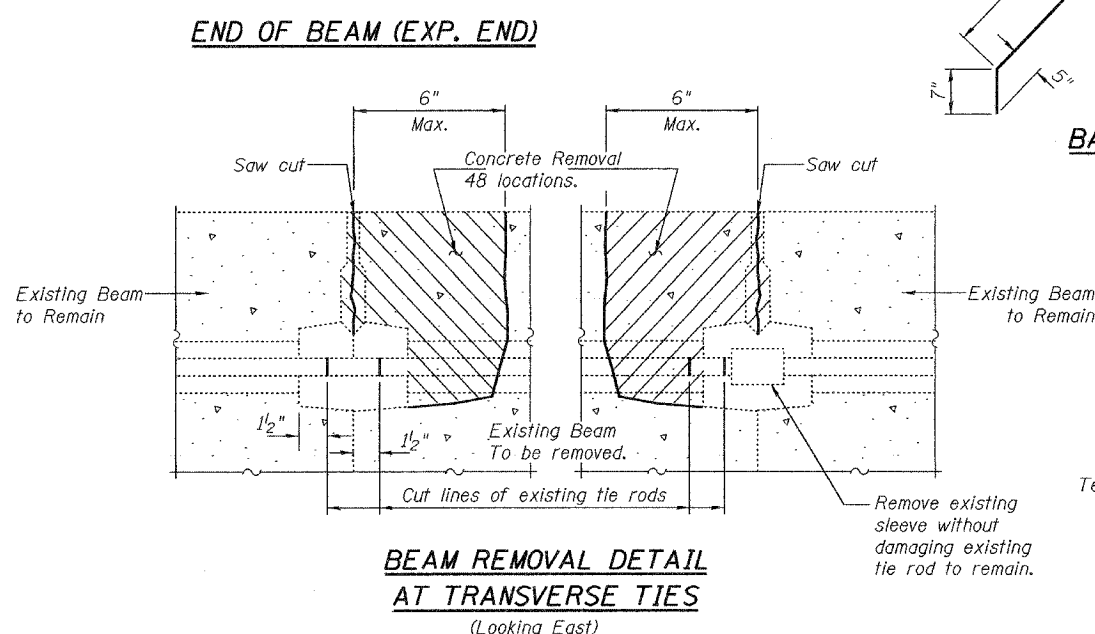
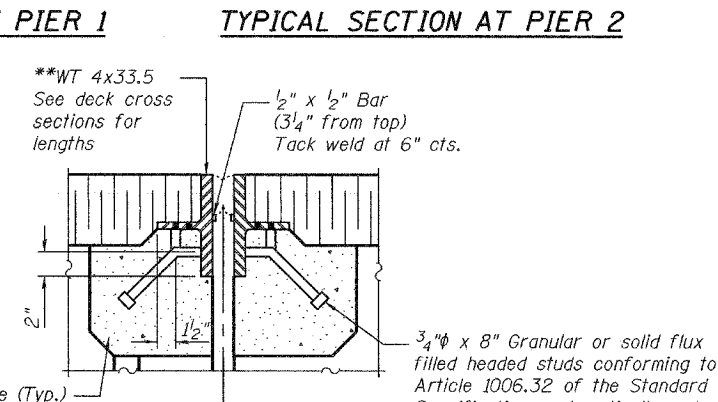
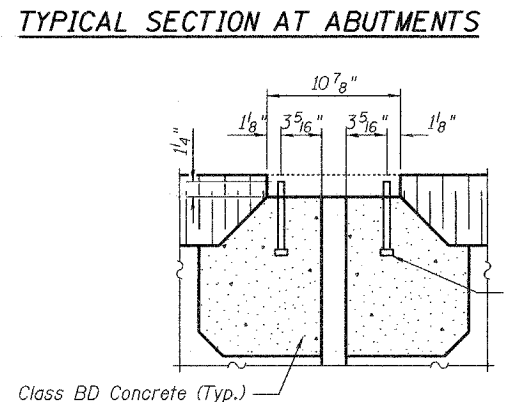
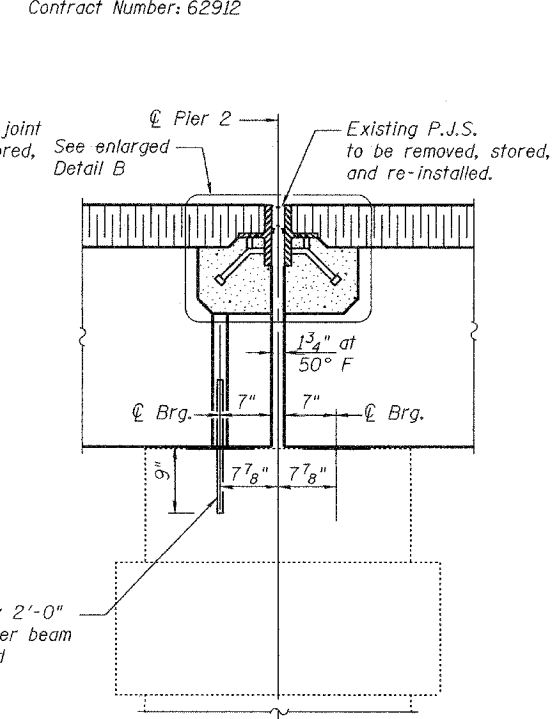
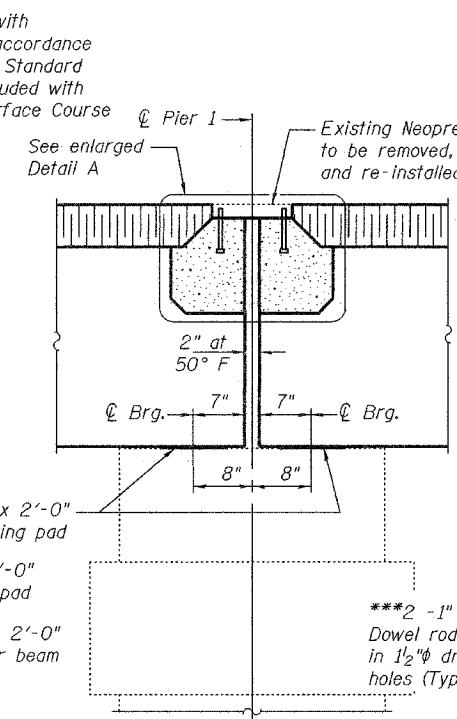
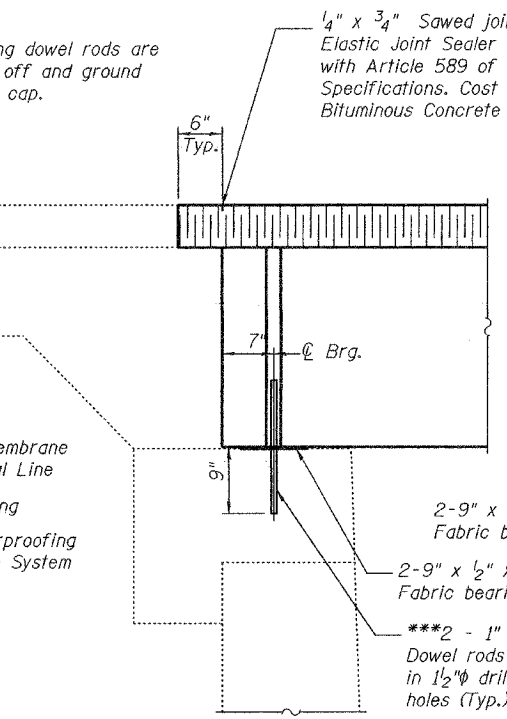
STATE OF ILLINOIS  
DEPARTMENT OF TRANSPORTATION

ROUTE NO.	SECTION	COUNTY	TOTAL SHEETS	SHEET NO.
		DuPage	14	4
FED. ROAD DIST. NO. 7	ILLINOIS	FED. AID PROJECT		4 SHEETS

Contract Number: 62912



\*\*\*Existing dowel rods are to be cut off and ground flush with cap.



DESIGNED	V.H.V.
CHECKED	A.T.H.
DRAWN	Drew Christopher
CHECKED	V.H.V. A.T.H.

EXAMINED	John A. Morris ENGINEER OF STRUCTURAL SERVICES
PASSED	Ralph E. Anderson ENGINEER OF BRIDGES AND STRUCTURES

May 3, 2005

**BEAM DETAILS**  
**F.A.U. RT. 9877**  
**DUPAGE COUNTY**  
**SN 022-0084**