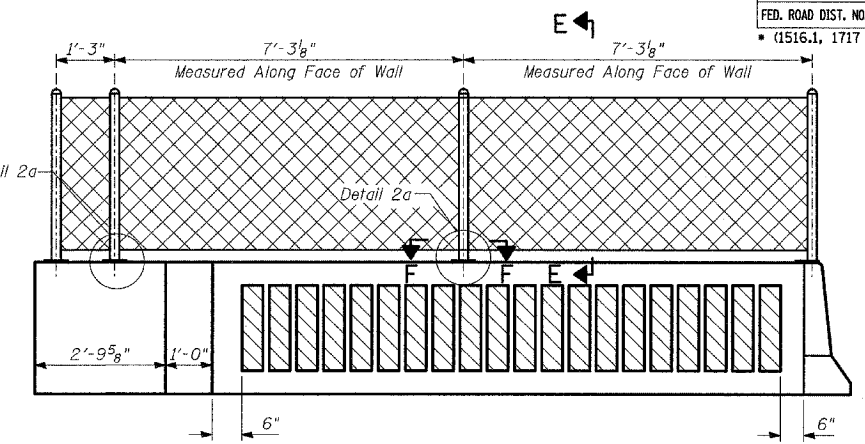
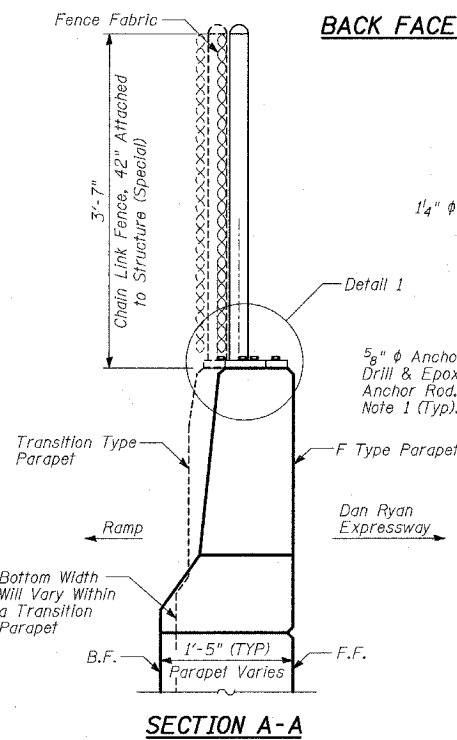


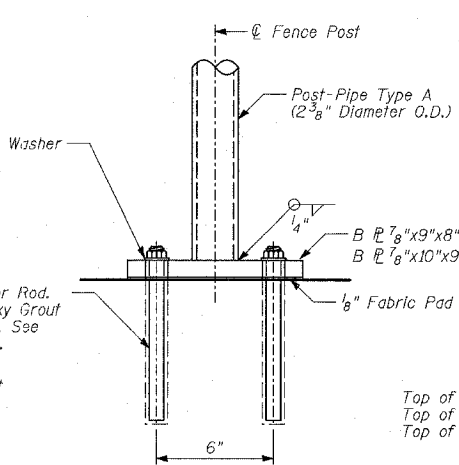
BACK FACE ELEVATION - F TYPE PARAPET, PARAPET TRANSITION, FLUTED PARAPET AND CHAIN LINK FENCE - (TYPICAL)



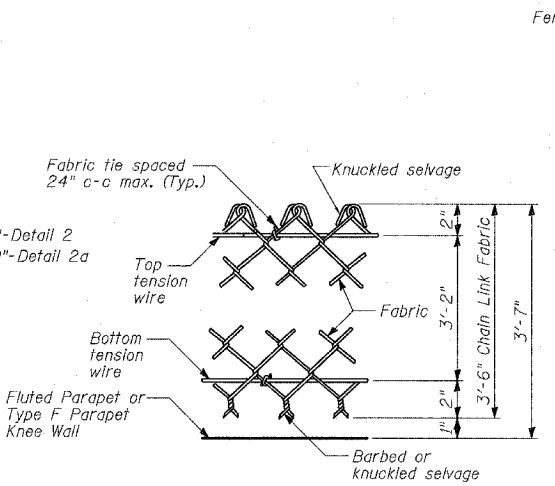
BACK FACE ELEVATION - TOP OF RETAINING WALL PARAPET, FLUTED PARAPET, CORNER GARDEN PLAN AND CHAIN LINK FENCE (TYPICAL)



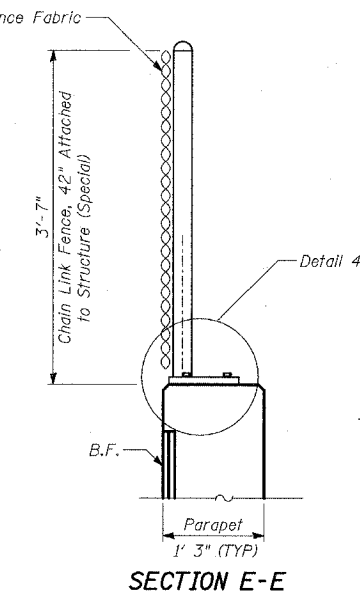
SECTION A-A



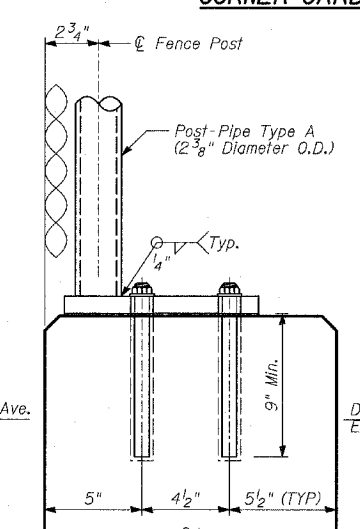
DETAIL 2 & 2a



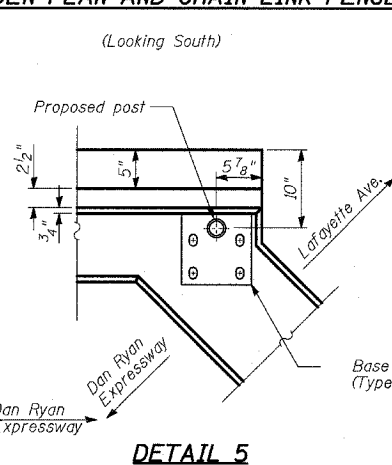
DETAIL 3



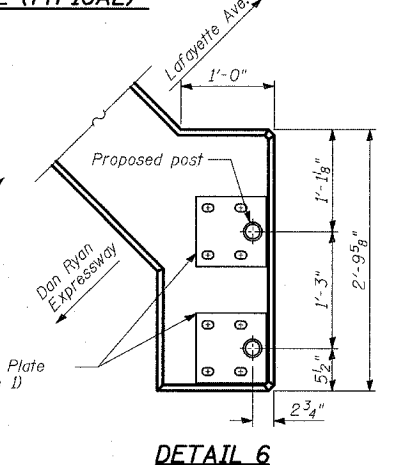
SECTION E-E



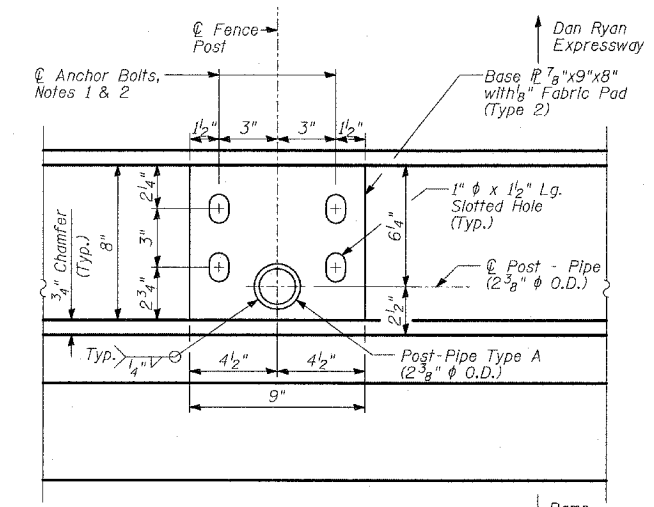
DETAIL 4



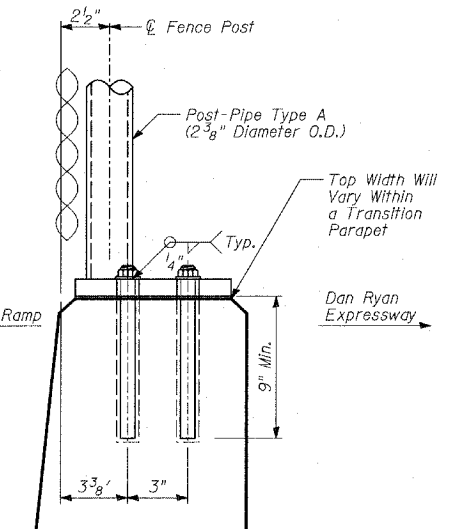
DETAIL 5



DETAIL 6



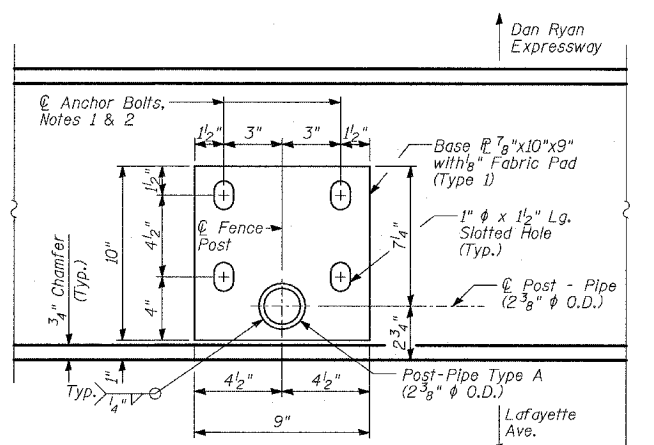
SECTION B-B BASE PLATE PLAN



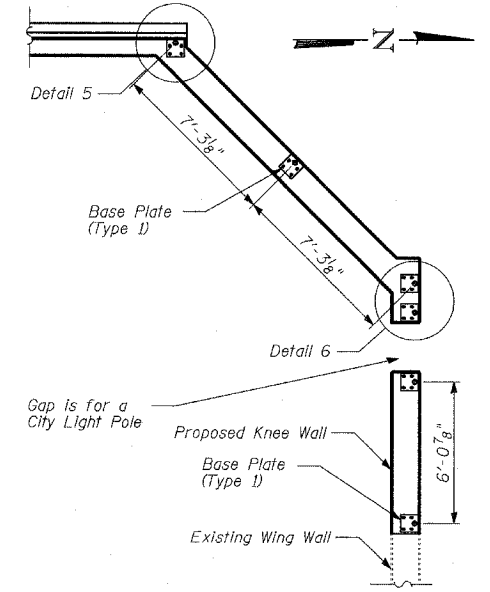
DETAIL 1

BILL OF MATERIAL

WALL	ITEM	UNIT	TOTAL
33	Chain Link Fence, 42" Attached to Structure (Special)	FOOT	204
34	Chain Link Fence, 42" Attached to Structure (Special)	FOOT	963
35	Chain Link Fence, 42" Attached to Structure (Special)	FOOT	358
36	Chain Link Fence, 42" Attached to Structure (Special)	FOOT	1304
37	Chain Link Fence, 42" Attached to Structure (Special)	FOOT	218
38	Chain Link Fence, 42" Attached to Structure (Special)	FOOT	555
39	Chain Link Fence, 42" Attached to Structure (Special)	FOOT	947
AIS 3	Chain Link Fence, 42" Attached to Structure (Special)	FOOT	360
68	Chain Link Fence, 42" Attached to Structure (Special)	FOOT	641
73A	Chain Link Fence, 42" Attached to Structure (Special)	FOOT	675
73B	Chain Link Fence, 42" Attached to Structure (Special)	FOOT	615
TOTAL			6840



SECTION F-F BASE PLATE PLAN



PLAN - CORNER GARDEN - WALL 39

NOTES:

- The Contractor shall drill and epoxy grout 5/8" diameter anchor rods. The Contractor shall use the capsule or the adhesive cartridge type anchor rods that have been previously tested and given prior approval by the Department for the above specified anchor rod spacing. The Contractor shall install these anchor rods in pre-drilled holes according to the manufacturer's recommendations and procedures. The capsule or adhesive cartridge shall be sealed with pre-measured amounts of adhesive chemical. Anchor rod threading to be peened after nuts are installed.
- For additional chain link fence details, see Standard 664001.

LEGEND

- B.F. - Denotes Back Face.
- F.F. - Denotes Front Face.

REVISIONS	
NAME	DATE

ILLINOIS DEPARTMENT OF TRANSPORTATION  
 F.A.I. 94 (DAN RYAN EXPRESSWAY)  
 WALLS 33, 34, 35, 36, 37, 38, 39, AIS3,  
 68, 73A, 73B - CHAIN LINK FENCE, 42"  
 ATTACHED TO STRUCTURE (SPECIAL)  
 DESIGNED BY: MI  
 SCALE: N.T.S. DRAWN BY: DJR  
 DATE: APRIL 15, 2005 CHECKED BY: TD