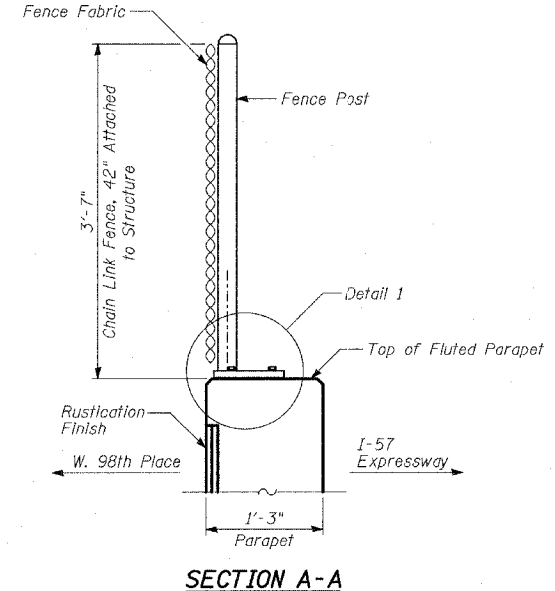
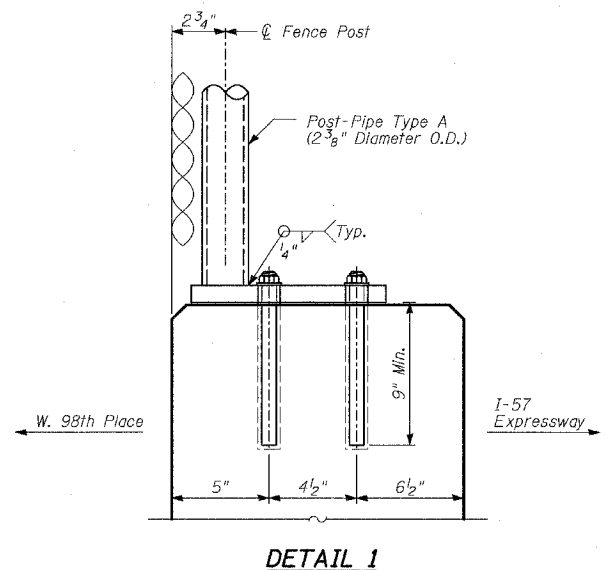


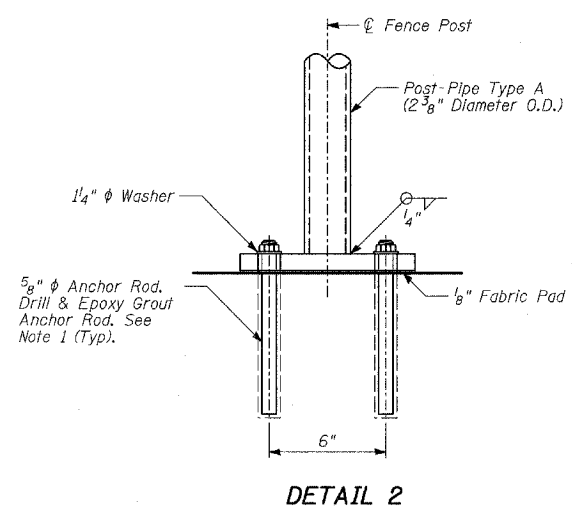
**BACK FACE ELEVATION - TOP OF RETAINING WALLS
FLUTED PARAPET AND CHAIN LINK FENCE**



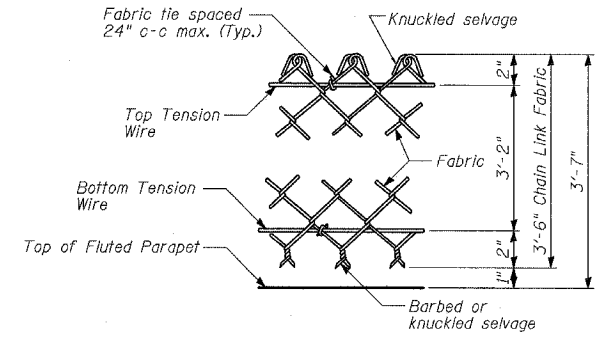
SECTION A-A



DETAIL 1



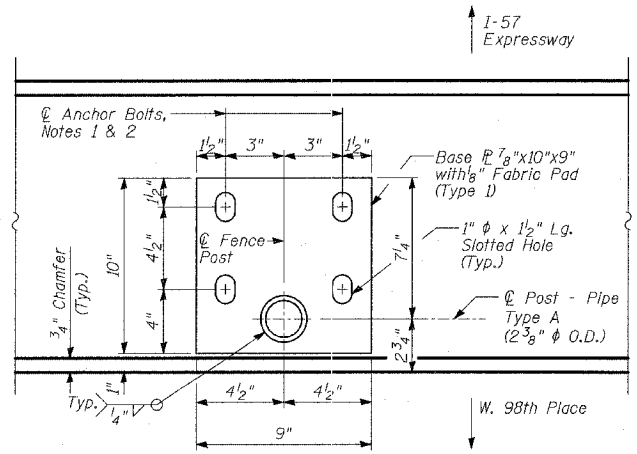
DETAIL 2



DETAIL 3

BILL OF MATERIAL

WALL	ITEM	UNIT	TOTAL
67	Chain Link Fence, 42" Attached to Structure	FOOT	930



**SECTION B-B
BASE PLATE PLAN**

NOTES:

- The Contractor shall drill and epoxy grout 5/8" diameter anchor rods. The Contractor shall use the capsule or the adhesive cartridge type anchor rods that have been previously tested and given prior approval by the Department for the above specified anchor rod spacing. The Contractor shall install these anchor rods in pre-drilled holes according to the manufacturer's recommendations and procedures. The capsule or adhesive cartridge shall be sealed with pre-measured amounts of adhesive chemical. Anchor rod threading to be peened after nuts are installed.
- For additional chain link fence details, see Standard 664001.

REVISIONS	
NAME	DATE

ILLINOIS DEPARTMENT OF TRANSPORTATION
F.A.I. 94 (DAN RYAN EXPRESSWAY)
**WALL 67 - CHAIN LINK FENCE,
42" ATTACHED TO STRUCTURE**

SCALE: N.T.S.
DATE: APRIL 15, 2005

DESIGNED BY: MI, DJR
DRAWN BY: DJR
CHECKED BY: TD, MI