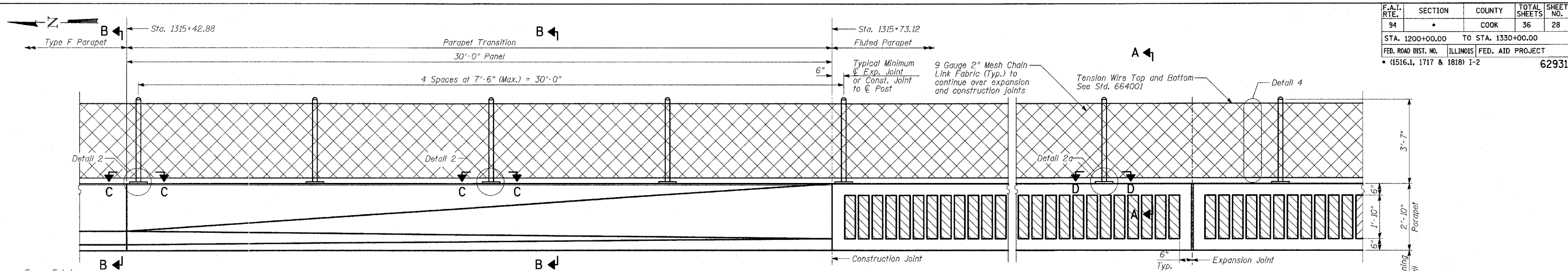
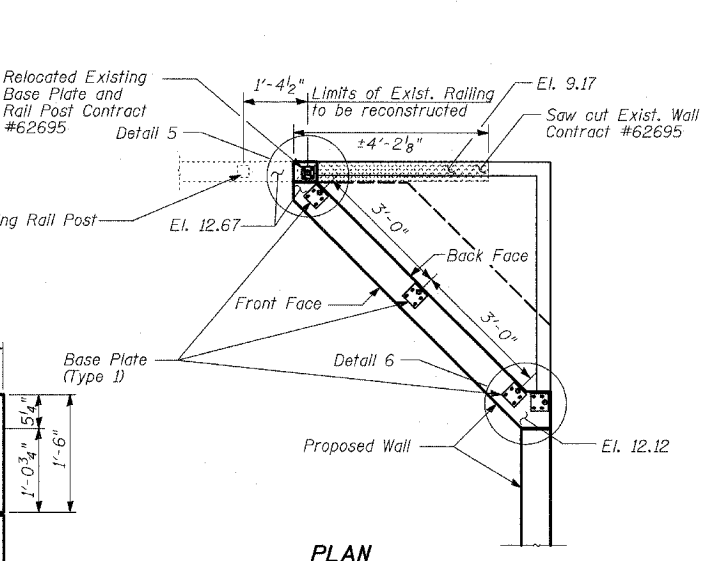
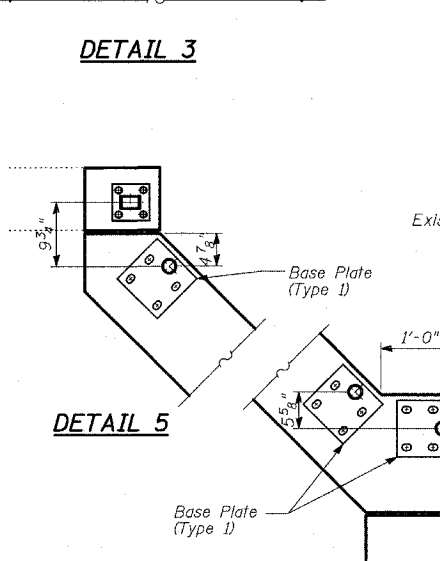
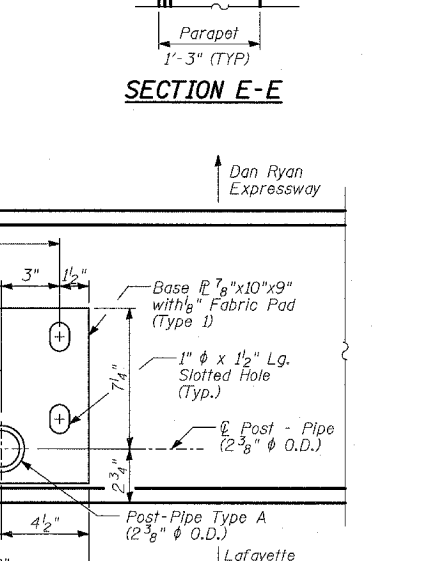
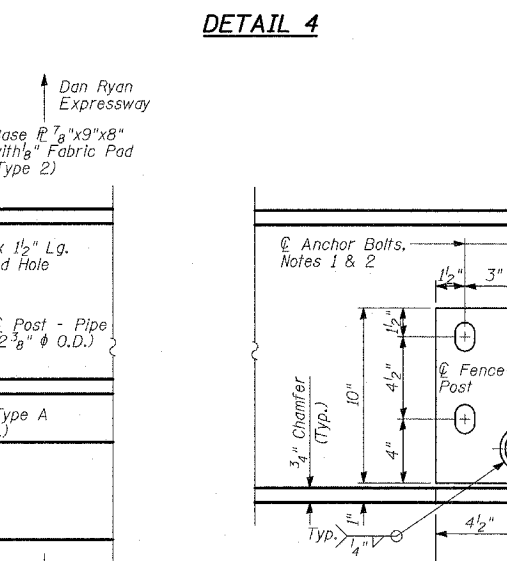
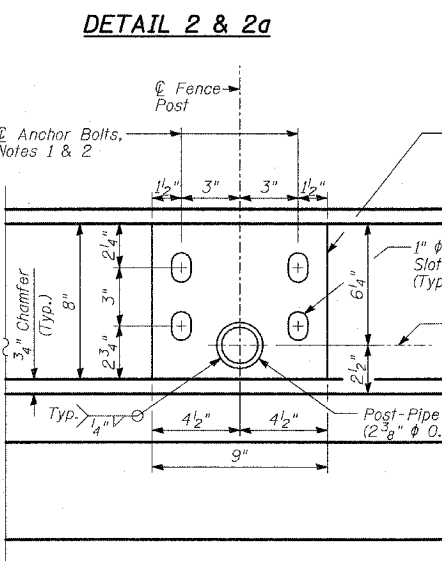
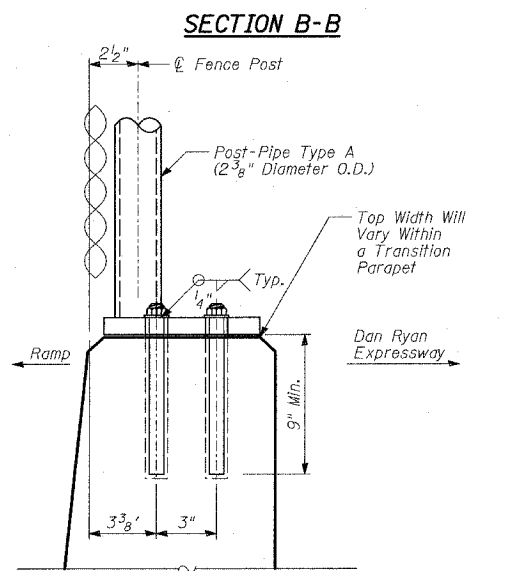
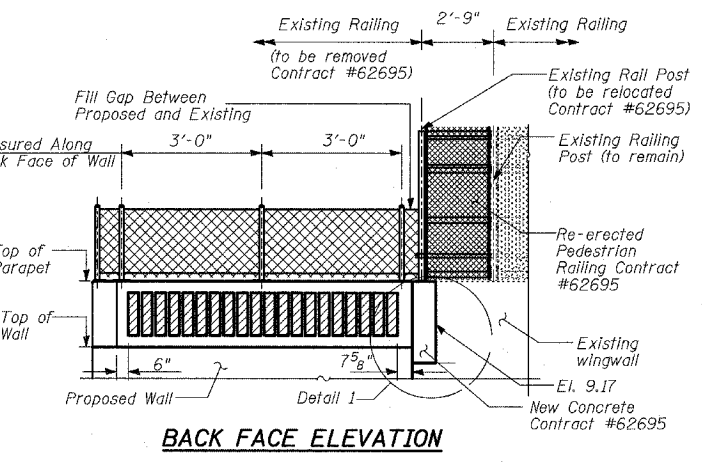
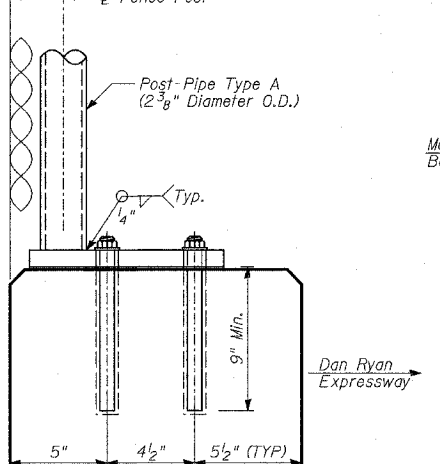
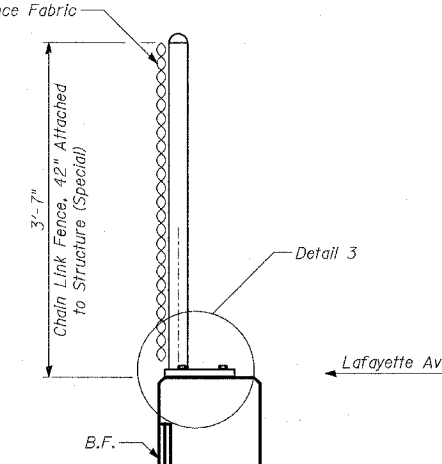
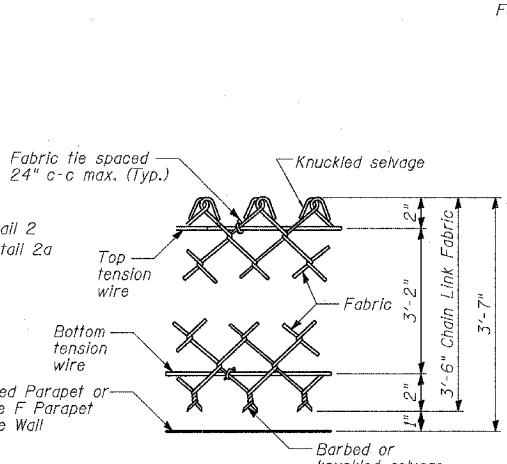
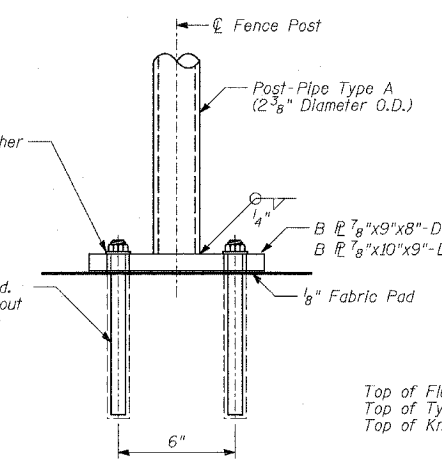
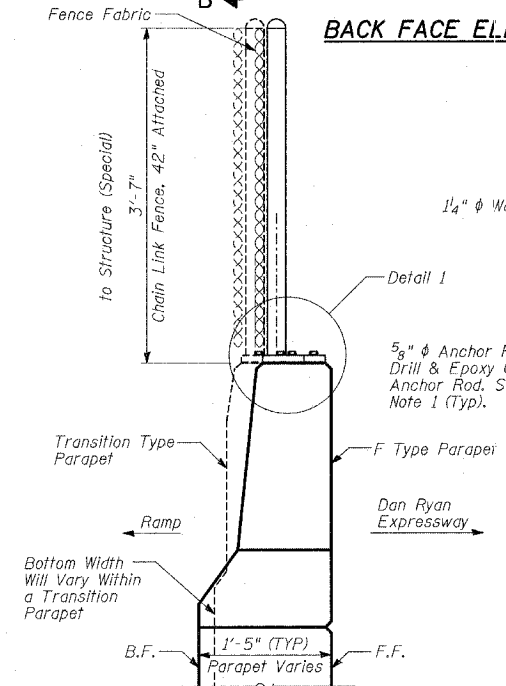


|                                    |         |                           |              |           |
|------------------------------------|---------|---------------------------|--------------|-----------|
| F.A.I. RTE.                        | SECTION | COUNTY                    | TOTAL SHEETS | SHEET NO. |
| 94                                 | *       | COOK                      | 36           | 28        |
| STA. 1200+00.00 TO STA. 1330+00.00 |         | ILLINOIS FED. AID PROJECT |              |           |
| FED. ROAD DIST. NO.                |         | (1516.1, 1717 & 1818) I-2 |              |           |
|                                    |         |                           |              | 62931     |



**BACK FACE ELEVATION - F TYPE PARAPET, PARAPET TRANSITION, FLUTED PARAPET AND CHAIN LINK FENCE - (TYPICAL)**



**BILL OF MATERIAL**

| WALL | ITEM  | UNIT | TOTAL |
|------|---|------|-------|
| 72   | Chain Link Fence, 42" Attached to Structure (Special) | FOOT | 475   |

**NOTES:**

- The Contractor shall drill and epoxy grout 5/8" diameter anchor rods. The Contractor shall use the capsule or the adhesive cartridge type anchor rods that have been previously tested and given prior approval by the Department for the above specified anchor rod spacing. The Contractor shall install these anchor rods in pre-drilled holes according to the manufacturer's recommendations and procedures. The capsule or adhesive cartridge shall be sealed with pre-measured amounts of adhesive chemical. Anchor rod threading to be peened after nuts are installed.
- For additional chain link fence details, see Standard 664001.

**REVISIONS**

| NAME | DATE |
|------|------|
|      |      |
|      |      |
|      |      |
|      |      |
|      |      |

ILLINOIS DEPARTMENT OF TRANSPORTATION  
 F.A.I. 94 (DAN RYAN EXPRESSWAY)  
 SOUTHBOUND EXIT RAMP RETAINING WALL  
 AT 79TH ST. - WALL 72  
 CHAIN LINK FENCE, 42"  
 ATTACHED TO STRUCTURE (SPECIAL)

DESIGNED BY: MI, MAF  
 DRAWN BY: MAF, DJR  
 CHECKED BY: TD, MI

SCALE: N.T.S.  
 DATE: APRIL 15, 2005