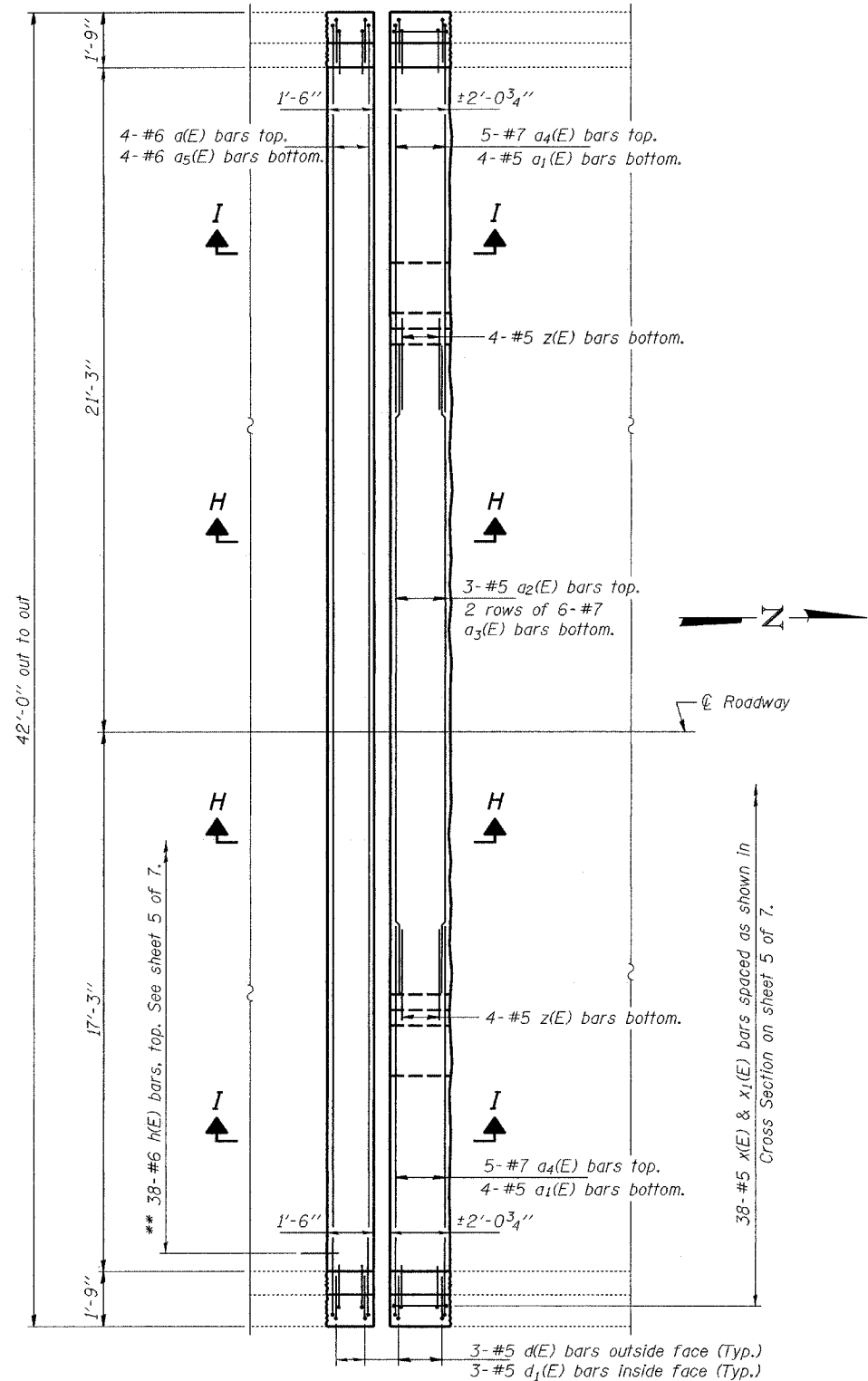


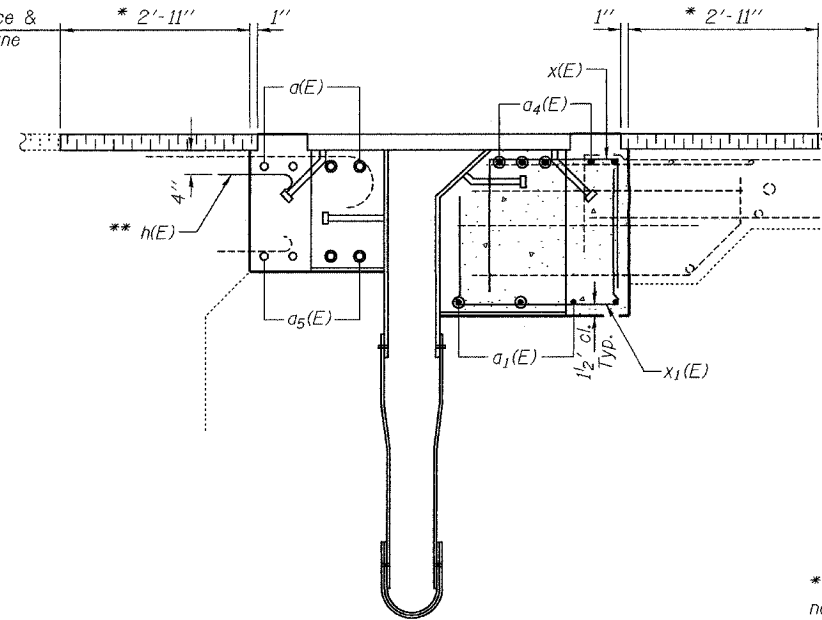
STATE OF ILLINOIS  
DEPARTMENT OF TRANSPORTATION

ROUTE NO.	SECTION	COUNTY	TOTAL SHEETS	SHEET NO.
1-39		WINNEBAGO		6
7 SHEETS				
FED. ROAD DIST. NO. 7	ILLINOIS	FED. AID PROJECT-	CONTRACT NO. 64A86	



PLAN AT SOUTH ABUTMENT

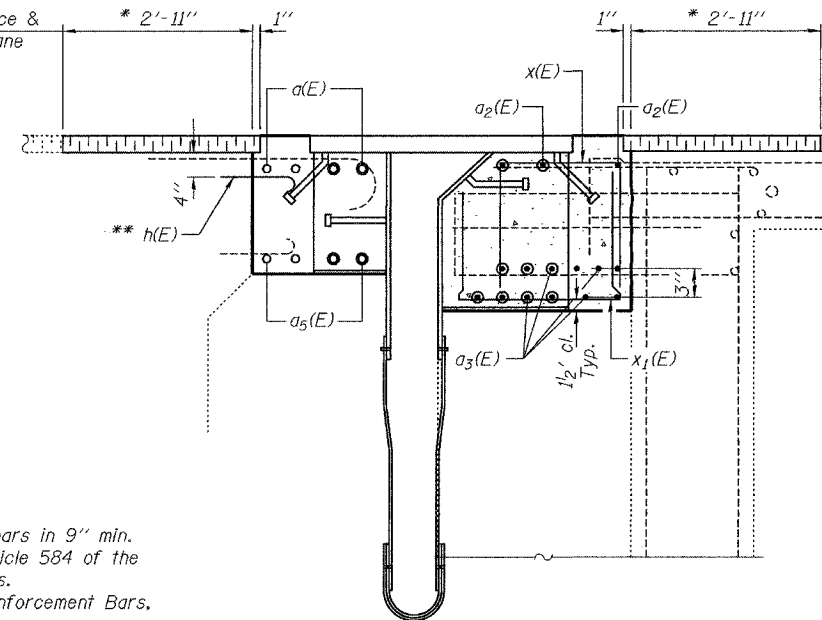
New bituminous surface & waterproofing membrane repair. Typ.



SECTION I-I

\* Waterproofing membrane system in this area shall not be damaged in order to provide a suitable lap for the new waterproofing membrane.

New bituminous surface & waterproofing membrane repair. Typ.



SECTION H-H

\*\* Epoxy grout h(E) bars in 9" min. holes according to Article 584 of the Standard Specifications. Cost included with Reinforcement Bars. Epoxy Coated

DESIGNED	DAB
CHECKED	PSJ
DRAWN	ballva
CHECKED	DAB PSJ

MARCH 7, 2005  
EXAMINED *John A. Morris*  
ENGINEER OF STRUCTURAL SERVICES  
PASSED *Ralph E. Anderson*  
ENGINEER OF BRIDGES AND STRUCTURES

BRIDGE REPAIRS  
I-39 OVER KISHWAUKEE RIVER  
WINNEBAGO COUNTY  
STA. 2425+00  
SN 101-0133(SB)