

F.A.I. RTE.	SECTION	COUNTY	TOTAL SHEETS	SHEET NO.
39	201-1B-M-2	WINNEBAGO	13	1

STATE OF ILLINOIS
DEPARTMENT OF TRANSPORTATION
DIVISION OF HIGHWAYS

PROPOSED
HIGHWAY PLANS

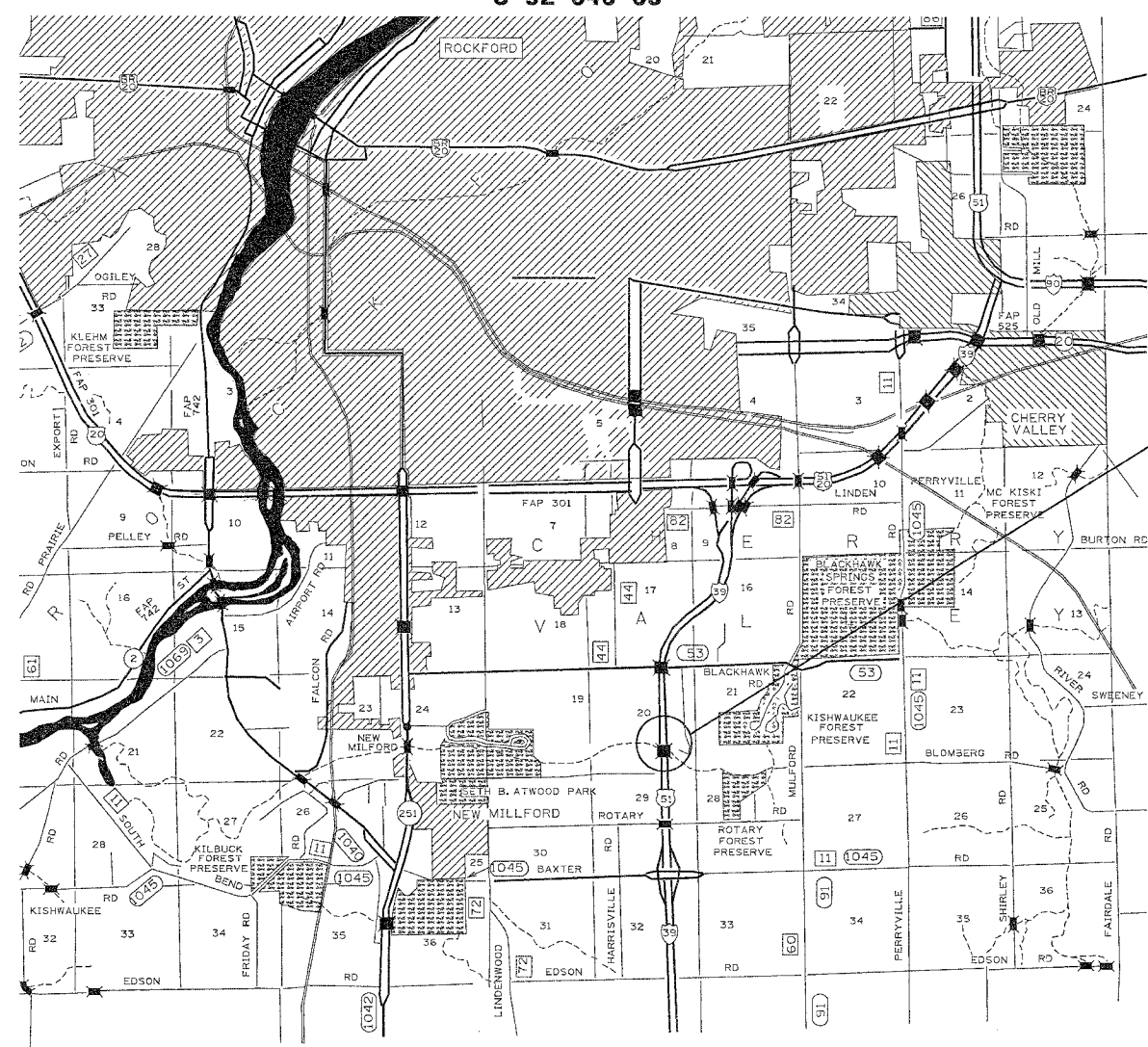
FAI ROUTE 39 (I-39)
SECTION 201-1B-M-2
WINNEBAGO COUNTY

C-92-046-05

D-92-047-05



Project Location
 Structure Number 101-0033 (SB)

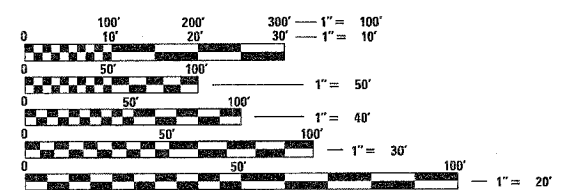


INDEX OF SHEETS

1. Cover Sheet, Index of Sheets
2. General Notes, Summary of Quantities
- 3.-6. Traffic Control Plan
7. -13. Bridge Repair Plans

STANDARDS

- 701400-02
- 701406-04
- 701416-05
- 702001-05
- 704001-02
- 780001-01



FULL SIZE PLANS HAVE BEEN PREPARED USING STANDARD ENGINEERING SCALES. REDUCED SIZED PLANS WILL NOT CONFORM TO STANDARD SCALES. IN MAKING MEASUREMENTS ON REDUCED PLANS, THE ABOVE SCALES MAY BE USED.

J.U.L.I.E.
 JOINT UTILITY LOCATION INFORMATION FOR EXCAVATION
 1-800-892-0123

CONTRACT NO. 64A86

STATE OF ILLINOIS
 DEPARTMENT OF TRANSPORTATION
 DIVISION OF HIGHWAYS

SUBMITTED Jan 1 20 05

Gregory L. Moore
 REGIONAL DISTRICT ENGINEER

March 25 20 05
Mike Hye
 ENGINEER OF DESIGN AND ENVIRONMENT

March 25 20 05
Victor Modesto
 DIRECTOR, DIVISION OF HIGHWAYS

PRINTED BY THE AUTHORITY
OF THE STATE OF ILLINOIS

General Notes

The contractor shall submit four copies of the required shop drawings for review and approval to the Bureau of Bridges and Structures, 2300 South Dirksen Parkway, Springfield, IL 62764. After approval of initial submittal, the contractor shall submit one set of shop drawings to Eric Harm, Engineer of Materials, 126 East Ash Street, Springfield, IL 62706, and eight (8) sets of shop drawings to be distributed to:

- District 2 District Engineer (1)
- Fabricator (1)
- Contractor (2)
- Resident Engineer (2)
- District 2 Bureau of Materials (2)

Work on this project will be in progress at the same time as work on the ROCKFORD BYPASS US 20 (BYP). Work on these projects shall be scheduled to keep interference between all the projects to a minimum. The contractors shall inform each other of progress of the projects and give fair warning to the other contractors when a problem might be encountered.

A contingency item of 10 delineators is included to delineate potential hazards in the project limits. These to be placed upon project completion at the discretion of the engineer.

The Contractor shall be responsible for protecting utility property during construction operations as outlined in Article 107.31 of the Standard Specifications. A minimum of 48 hours advance notice is required for non-emergency work. The JULIE number is 800-892-0123. The following listed utilities located within the project limits or immediately adjacent to the project construction limits are members of JULIE:

Mr. Mike Lenox
Electric
Commonwealth Edison Company 815-490-2869
123 Energy Ave.
Rockford IL 61109

Mr. Frank Rose
Telephone
SBC/Ameritech Telephone Co. 815-394-7276
2404 Eighth Ave.
Rockford IL 61108

Mr. Kalin Hinshaw
Telephone
Verizon 815-895-1515
112 West Elm Street
Sycamore IL 60178

Mr. Scott Stagsdill
Gas
NICOR Gas Co. 630-983-8676
1844 Ferry Road
Naperville IL 60563-9600

Mr. Scott Schroeder
CATV
Insight Communications 815-284-2257
115 N. Galena Ave
Dixon IL 61021

Following are the known utilities located within the project limits or immediately adjacent to the project construction limits which are not members of JULIE and should be notified individually by the contractor:

Mr. Dennis Schultz
GOVT
IDOT - Dist. 2 815-284-5469
819 Depot Ave
Dixon IL 61021

Summary Of Quantities

Code Number	Pay Item	Unit	Quantity
			SFTY-2A
50102400	CONCRETE REMOVAL	CU YD	20.9
50300255	CONCRETE SUPERSTRUCTURE	CU YD	20.9
50500405	FURNISHING AND ERECTING STRUCTURAL STEEL	POUND	39090
50501110	STRUCTURAL STEEL REMOVAL	POUND	23300
50800205	REINFORCEMENT BARS, EPOXY COATED	POUND	4370
58100100	WATERPROOF MEMBRANE REPAIR	SQ YD	52
63500105	DELINEATORS	EACH	10
67000400	ENGINEER'S FIELD OFFICE, TYPE A	CAL MO	2
67100100	MOBILIZATION	L SUM	1
70100305	TRAFFIC CONTROL AND PROTECTION, STANDARD 701400	L SUM	1
70100410	TRAFFIC CONTROL AND PROTECTION, STANDARD 701416	EACH	1
70100700	TRAFFIC CONTROL AND PROTECTION, STANDARD 701406	L SUM	1
70103815	TRAFFIC CONTROL SURVEILLANCE	CAL DA	30
70300520	PAVEMENT MARKING TAPE, TYPE III 4"	FOOT	12796
70301000	WORK ZONE PAVEMENT MARKING REMOVAL	SQ FT	5290
70400100	TEMPORARY CONCRETE BARRIER	FOOT	4287.5
*78005110	EPOXY PAVEMENT MARKING - LINE 4"	FOOT	700
78300100	PAVEMENT MARKING REMOVAL	SQ FT	145
X4066538	POLYMERIZED BITUMINOUS CONCRETE SURFACE COURSE, SUPERPAVE, MIX "E", N90	TON	6
Z0022400	FABRIC REINFORCED ELASTOMERIC TROUGH	FOOT	78

* SPECIALTY ITEM

The following Mixture Requirements are applicable for this project:

Mixture Uses(s):	Surface		
PG:	SBS 70-22		
RAP%: (Max)	0%		
Design Air Voids			
Mixture Composition (Gradation Mixture)	IL 9.5 or 12.5		
Friction Aggregate	E		
20 Year ESAL			

Structure No. 101-0133
I-39 over Kishwaukee River
Winnebago County
FAI Route 39
Section 201-1B-M-2

F.A.I. RTE.	SECTION	COUNTY	TOTAL SHEETS	SHEET NO.
-39-	-201:1B-M-2-	-WINNEBAGO-	-13-	-3-
STA. _____		TO STA. _____		
FED. ROAD DIST. NO.	ILLINOIS	FED. AID PROJECT		

TRAFFIC CONTROL PLAN

Refer to Standards 701400 & 701416 for additional signing and marking requirements.

Pavement Marking Tape Type III 4" (Yellow)

NB	Foot
Sta 2445+70 - 2370+78 (NB Traffic)	7492
Sta 2370+78 - 2360+78 (NB Traffic)	1000
North Crossover	550
Sta 2440+20 - 2407+80 (SB Traffic)	3240
South Crossover	514
Total	12,796

Pavement Marking Tape Type III 4" (White)

SB	Foot
Sta 2465+65 - 2455+65 (Taper)	1000
Sta 2455+65 - 2445+65	1000
North Crossover	550
South Crossover	534
Total	3084

Temporary Concrete Barrier

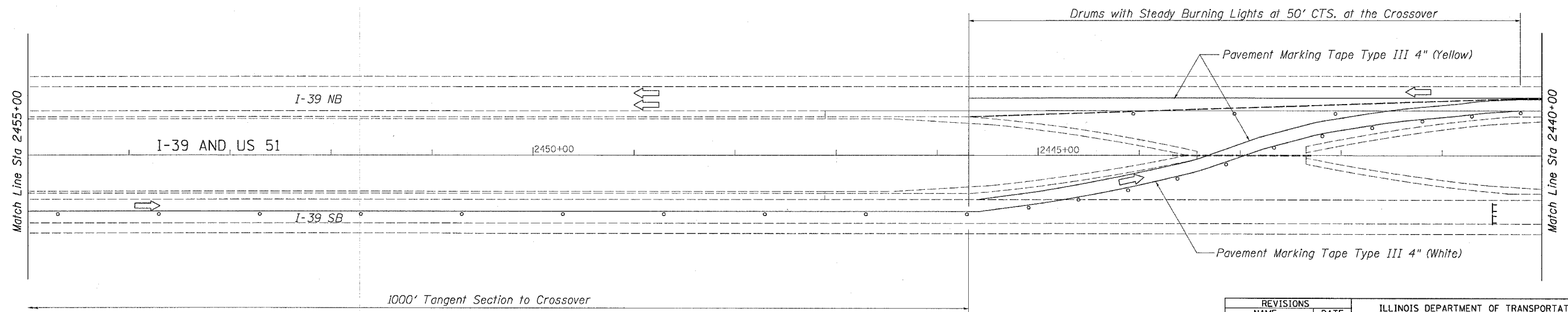
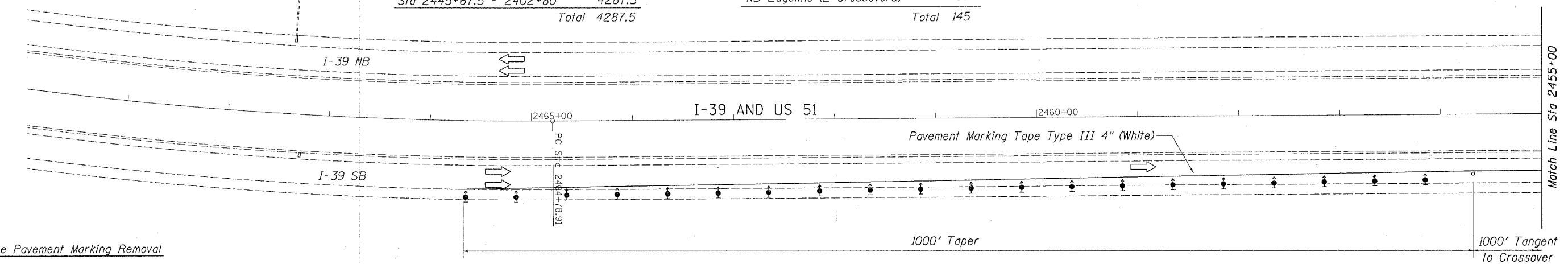
Foot	Sq Ft
Sta 2445+67.5 - 2402+80	4287.5
Total	4287.5

Pavement Marking Removal

Sq Ft	
SB Edgeline (2 Crossovers)	58
NB Edgeline (2 Crossovers)	87
Total	145

Workzone Pavement Marking Removal

Sq Ft	
Entire Project	5290
Total	5290



REVISIONS		ILLINOIS DEPARTMENT OF TRANSPORTATION
NAME	DATE	

SCALE: VERT. _____
HORIZ. _____
DATE _____

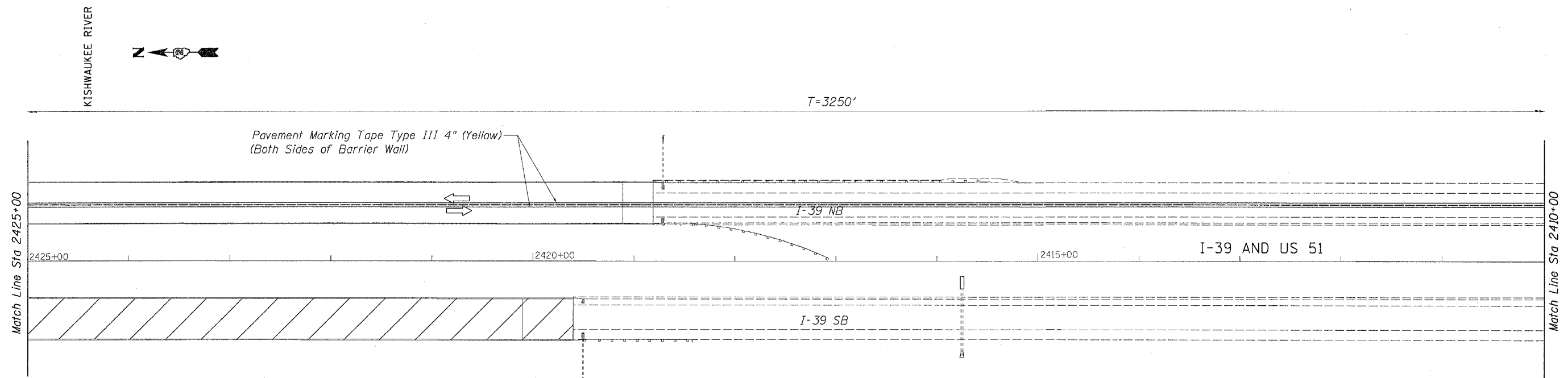
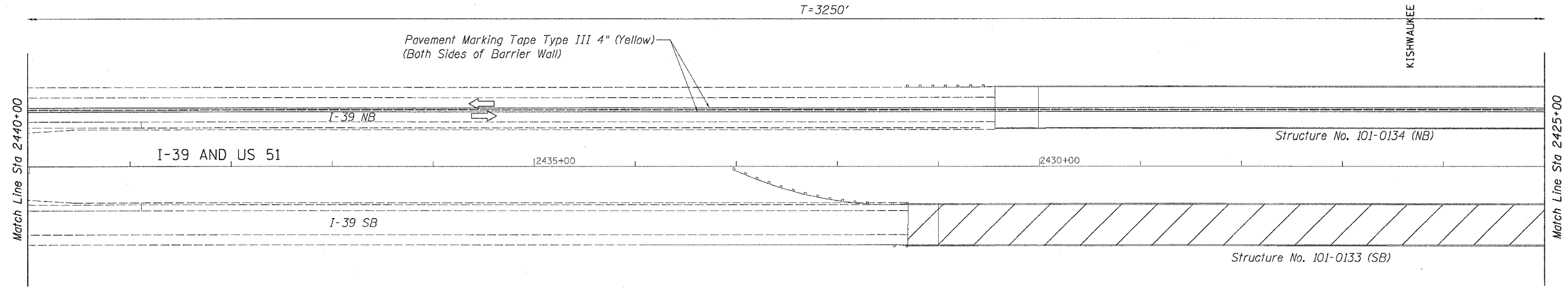
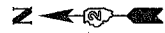
DRAWN BY _____
CHECKED BY _____

PLOT DATE = Fri, Jan 07 09:00:43, 2005
FILE NAME = D:\BR\Plans\Winnebago County\1010133.dgn
PLOT SCALE = 50:0000 / 1" IN.
REFERENCE = #REF#

F.A.I. RTE.	SECTION	COUNTY	TOTAL SHEETS	SHEET NO.
-39-	201-1B-M-2	WINNEBAGO	13	4
STA.		TO STA.		
FED. ROAD DIST. NO.		ILLINOIS FED. AID PROJECT		

TRAFFIC CONTROL PLAN

Refer to Standard 701400 & 701416 for additional signing and marking requirements.



PLOT DATE = Fri Jan 07 08:26:52 2005
 FILE NAME = D:\RR\plans\Winnebago County\1010133.dgn
 PLOT SCALE = 50:0000 1/4 IN.
 REFERENCE = REF#

REVISIONS	
NAME	DATE

ILLINOIS DEPARTMENT OF TRANSPORTATION

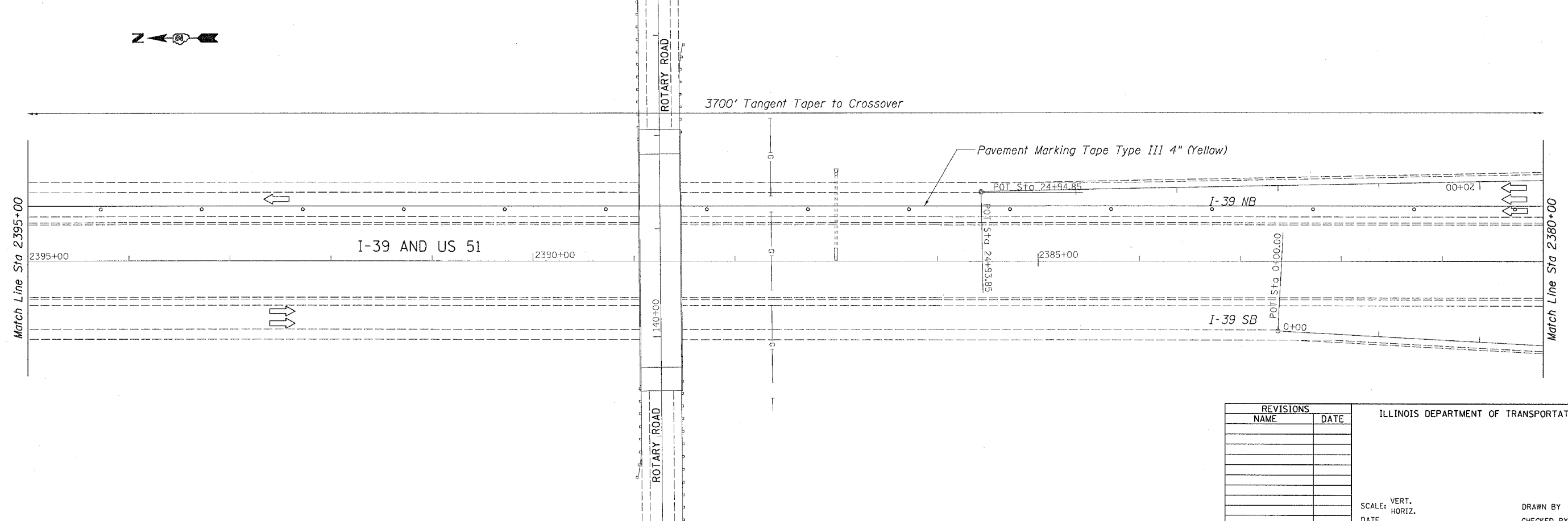
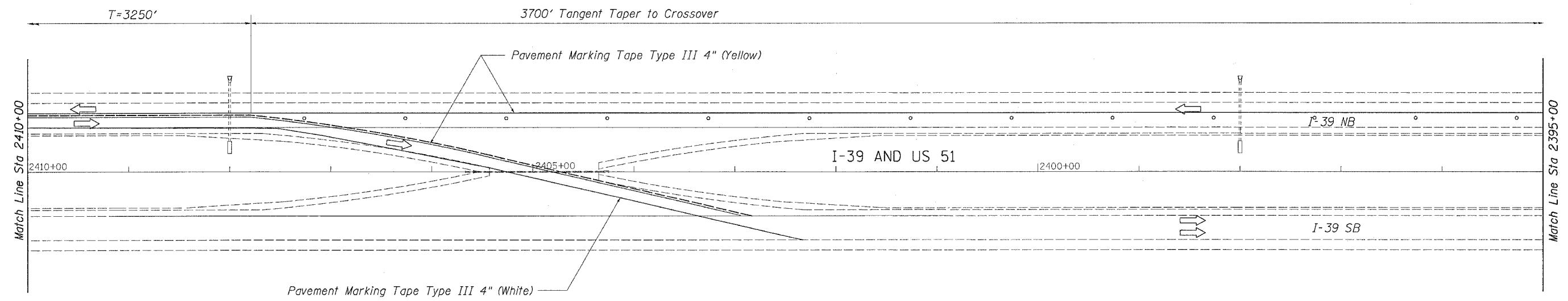
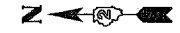
SCALE: VERT. DATE
 HORIZ.

DRAWN BY
 CHECKED BY

F.A.I. RTE.	SECTION	COUNTY	TOTAL SHEETS	SHEET NO.
-39-	201-1B-M-2	WINNEBAGO	13	5
STA.		TO STA.		
FED. ROAD DIST. NO.		ILLINOIS FED. AID PROJECT		

TRAFFIC CONTROL PLAN

Refer to Standard 701400 & 701416 for additional signing and marking requirements.



PLOT DATE = Fri, Jan 07 08:00:02, 2005
 FILE NAME = D:\BRI\plans\winnebago County\1010133.dgn
 PLOT SCALE = 50:0000 / 1" IN.
 REFERENCE = SHEET#

REVISIONS	
NAME	DATE

ILLINOIS DEPARTMENT OF TRANSPORTATION

SCALE: VERT. _____
 HORIZ. _____

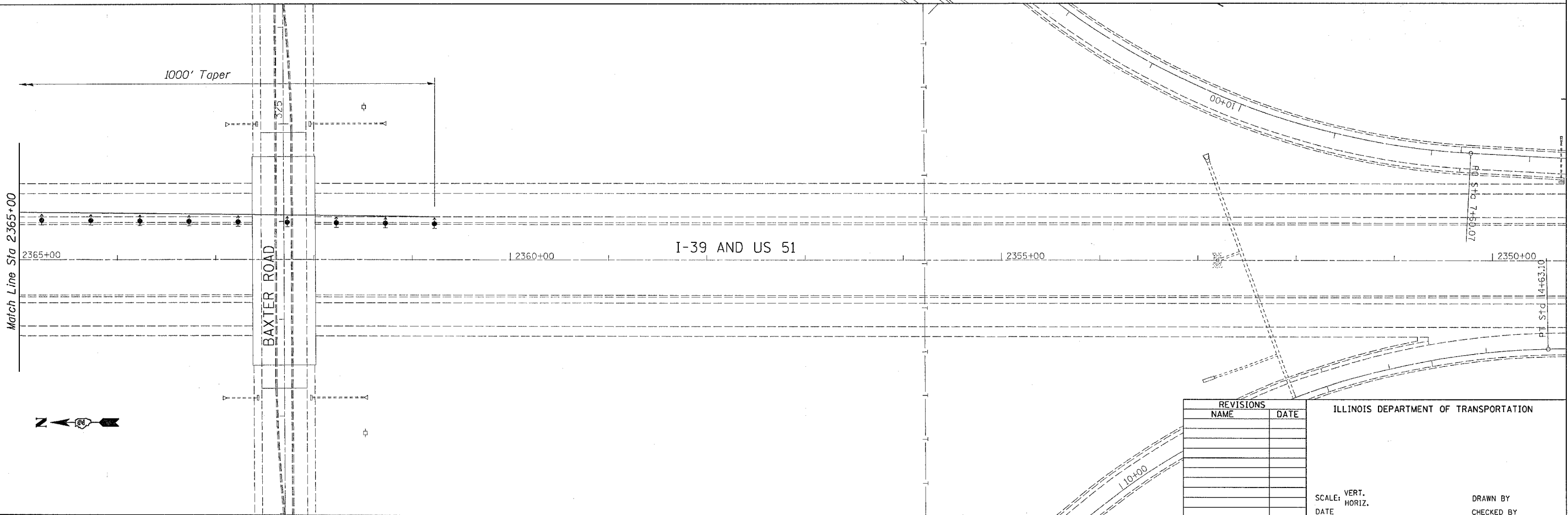
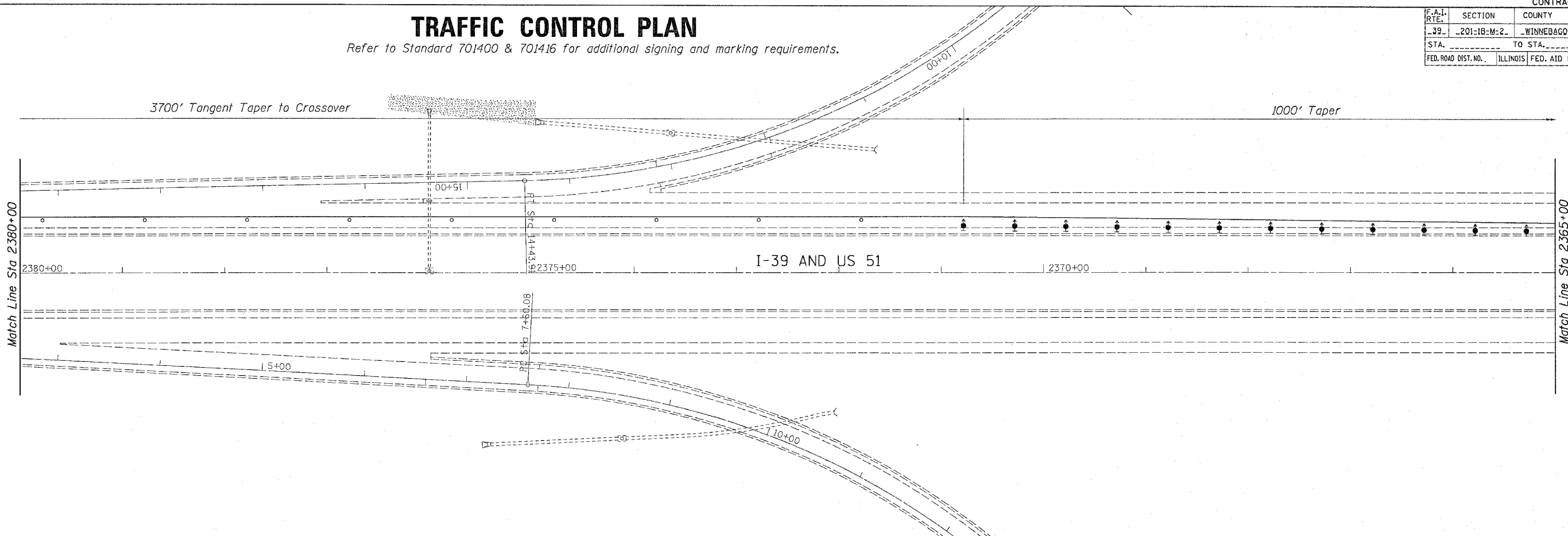
DATE _____

DRAWN BY _____
 CHECKED BY _____

TRAFFIC CONTROL PLAN

Refer to Standard 701400 & 701416 for additional signing and marking requirements.

F.A.I. RTE.	SECTION	COUNTY	TOTAL SHEETS	SHEET NO.
39	201-1B-M-2	WINNEBAGO	13	6
STA.		TO STA.		
FED. ROAD DIST. NO.		ILLINOIS FED. AID PROJECT		



PLOT DATE = Fri, Jan 07 08:01:21 2005
 FILE NAME = G:\BR\plans\winnebago County\1010133.dgn
 SCALE = 3/8" = 1' / IN.
 REFERENCE = RFP'S



REVISIONS	
NAME	DATE

ILLINOIS DEPARTMENT OF TRANSPORTATION

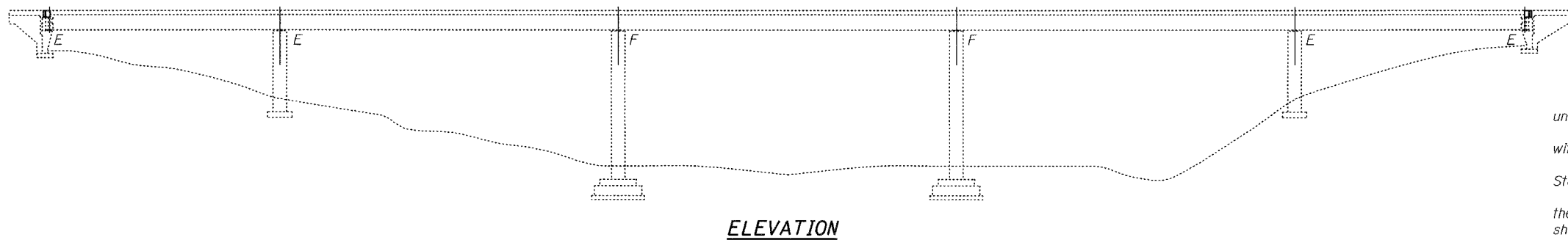
SCALE: VERT. 1" = 40'
 HORIZ. 1" = 100'

DATE: _____

DRAWN BY: _____
 CHECKED BY: _____

STATE OF ILLINOIS
DEPARTMENT OF TRANSPORTATION

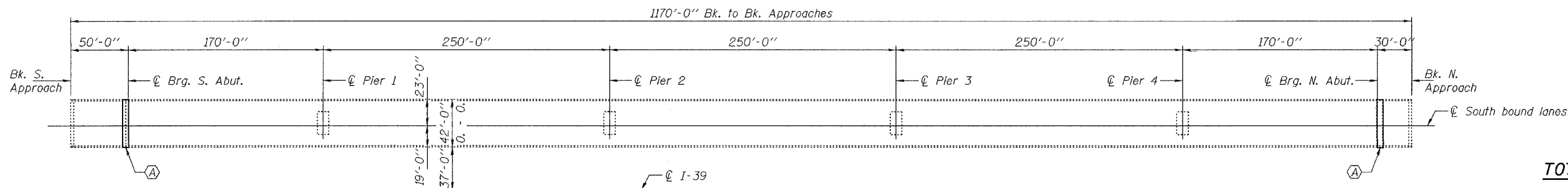
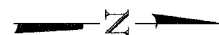
ROUTE NO.	SECTION	COUNTY	TOTAL SHEETS	SHEET	SHEET NO. 1
1-39		WINNEBAGO		7	7 SHEETS
FED. ROAD DIST. NO. 7	ILLINOIS	FED. AID PROJECT-	CONTRACT NO. 64A86		



ELEVATION

GENERAL NOTES

All structural steel shall conform to AASHTO Classification M-270 Gr. 50, unless otherwise noted.
 Finger Plate Expansion Joints shall be assembled in the proper position with the ends in place and shall be left assembled for shop inspection.
 The finger plates shall be flame cut as provided in Article 505.04(k) of the Standard Specifications.
 Cost of removal and/or re-installation of all members necessary to complete the work as detailed on the plans and as specified in the Special Provisions shall be included in the cost of Furnishing and Erecting Structural Steel.
 All structural steel shall be shop painted with the inorganic zinc rich primer per AASHTO M300, Type 1. Cost included with Furnishing and Erecting Structural Steel.
 Existing reinforcement extending into the removal area shall be cleaned, straightened and incorporated into the new construction. Any reinforcement bars that are damaged during concrete removal shall be replaced with an approved bar splicer or anchorage system. Cost shall be included with Concrete Removal.
 Reinforcement bars shall conform to the requirements of AASHTO M 31 or M 322 Grade 60.
 Plan dimensions and details relative to existing structure have been taken from existing plans and are subject to nominal construction variations. It shall be the Contractor's responsibility to verify such dimensions and details in the field and make necessary approved adjustments prior to construction or ordering of materials. Such variations shall not be cause for additional compensation for a change in the scope of the work, however, the Contractor will be paid for the quantity actually furnished at the unit price bid for the work.
 Joint openings shall be adjusted according to Article 503.10(c) of the Std. Specs. when the deck is poured at an ambient temperature other than 50° F.
 The Contractor shall use extreme care during concrete removal so as not to damage the box girder.



PLAN

(A) Existing finger plate joints at each abutment to be removed and replaced.

TOTAL BILL OF MATERIAL

ITEM	UNIT	QUANTITY
Concrete Removal	Cu. Yd.	20.9
Concrete Superstructure	Cu. Yd.	20.9
Reinforcement Bars, Epoxy Coated	Pound	4370
Furnishing and Erecting Structural Steel	Pound	39090
Fabric Reinforced Elastomeric Trough	Foot	78
Structural Steel Removal	Pound	23300
Waterproof Membrane Repair	Sq. Yd.	52
Polymerized Bituminous Concrete Surface Course, Superpave, Mix "E", N90	Ton	6

DESIGNED *Paul S. Johnson*
 CHECKED *Paul S. Johnson*
 DRAWN *ballva*
 CHECKED *JAB PSJ*

MARCH 7, 2005
 EXAMINED *John A. Morris*
 ENGINEER OF STRUCTURAL SERVICES
 PASSED *Ralph E. Anderson*
 ENGINEER OF BRIDGES AND STRUCTURES

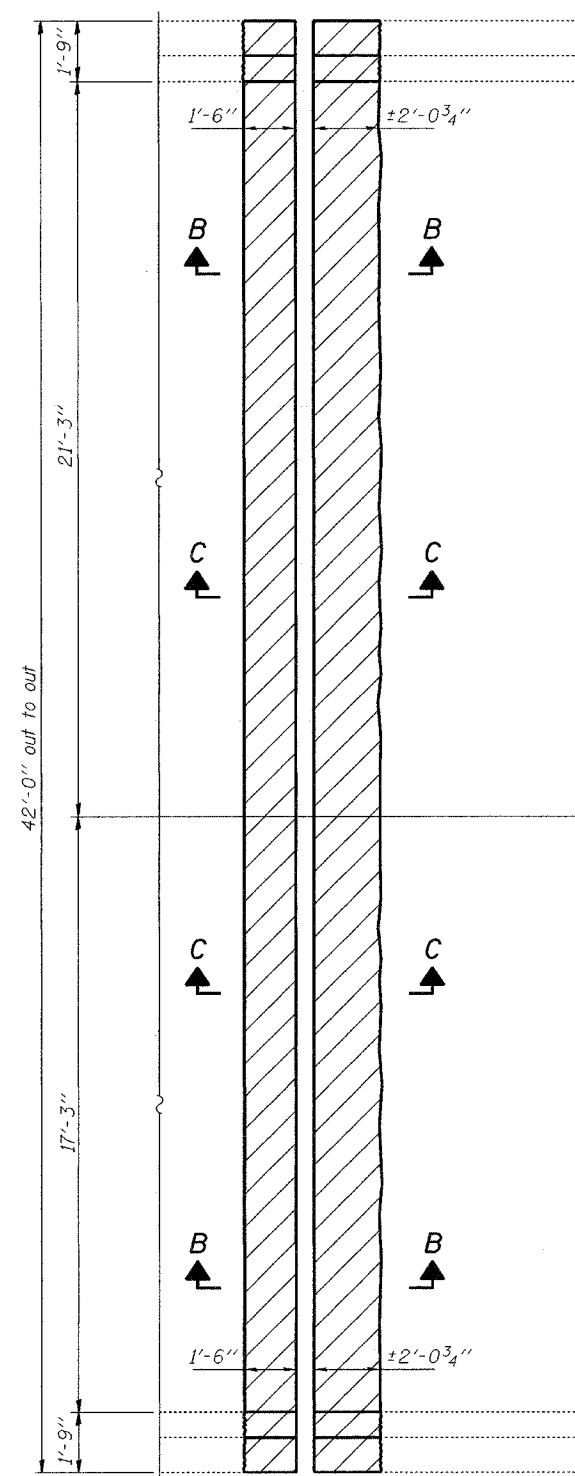


BRIDGE REPAIRS
1-39 OVER KISHWAUKEE RIVER
WINNEBAGO COUNTY
STA. 2425+00
SN 101-0133(SB)

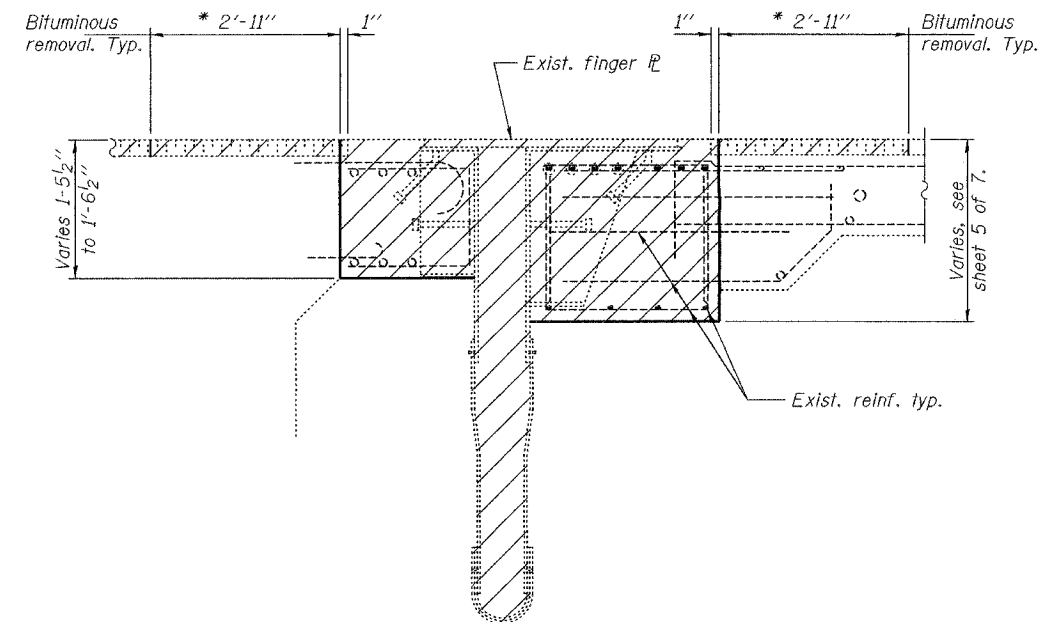
STATE OF ILLINOIS
DEPARTMENT OF TRANSPORTATION

ROUTE NO.	SECTION	COUNTY	SHEET NO.	SHEET NO.
1-39		WINNEBAGO	8	7 SHEETS
FED. ROAD DIST. NO. 7	ILLINOIS	FED. AID PROJECT-		

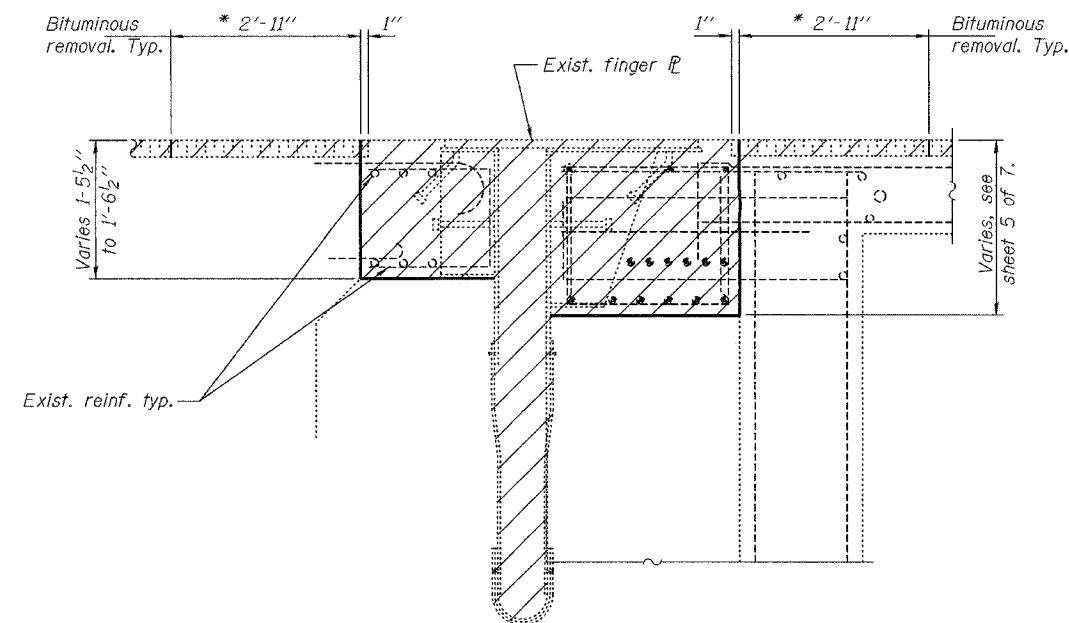
CONTRACT NO. 64A86



PLAN AT SOUTH ABUTMENT



SECTION B-B



SECTION C-C

Notes:
 Hatched areas indicate removal.
 Longitudinal reinforcement extending into removed area shall be cleaned, straightened and incorporated into the new construction.
 Perimeters of concrete & bituminous removal shall be saw cut ³/₄" prior to the removal of the concrete.
 * Waterproofing membrane system in this area shall not be damaged in order to provide a suitable lap for the new waterproofing membrane.
 The bituminous concrete surface removal shall be included in Concrete Removal.

DESIGNED	DAB
CHECKED	PSJ
DRAWN	ballva
CHECKED	DAB PSJ

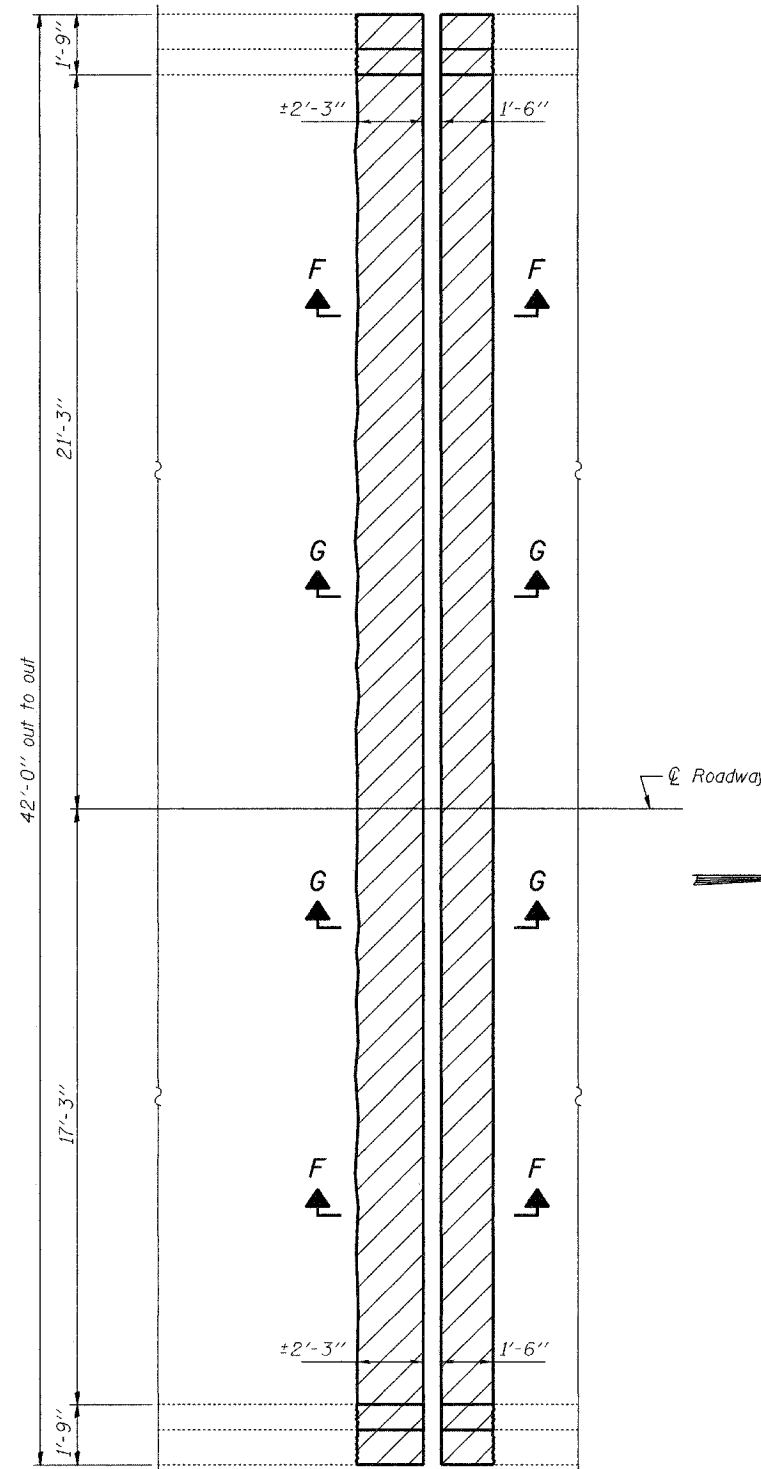
MARCH 7, 2005
 EXAMINED *John A. Morris*
 ENGINEER OF STRUCTURAL SERVICES
 PASSED *Ralph E. Anderson*
 ENGINEER OF BRIDGES AND STRUCTURES

BRIDGE REPAIRS
 I-39 OVER KISHWAUKEE RIVER
 WINNEBAGO COUNTY
 STA. 2425+00
 SN 101-0133(SB)

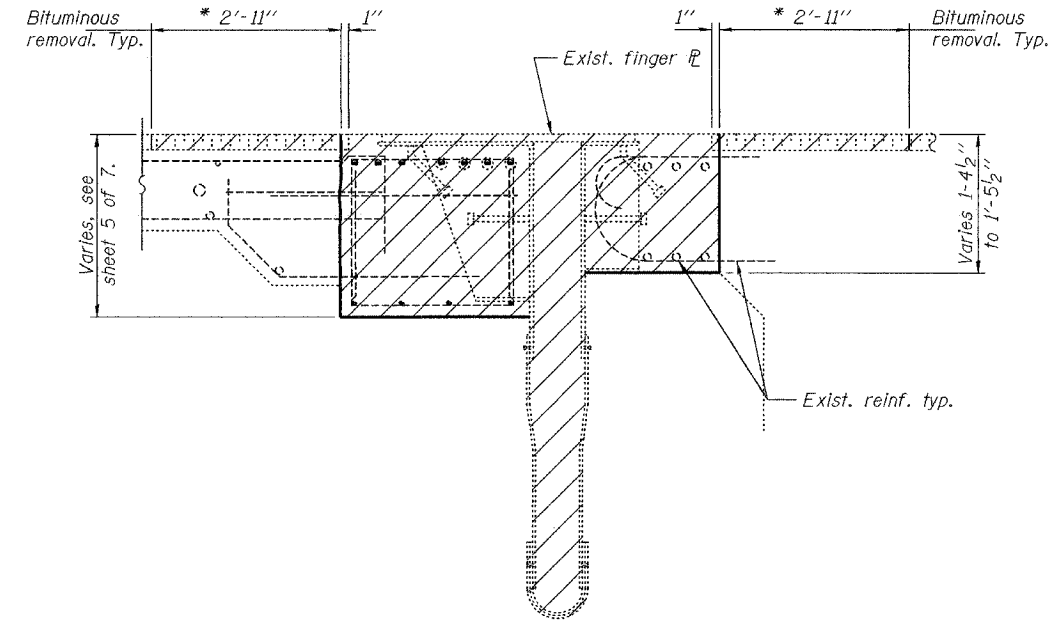
STATE OF ILLINOIS
DEPARTMENT OF TRANSPORTATION

ROUTE NO.	SECTION	COUNTY	TOTAL SHEETS	SHEET NO.
I-39		WINNEBAGO		9
FED. ROAD DIST. NO. 7	ILLINOIS	FED. AID PROJECT	CONTRACT NO. 64A86	

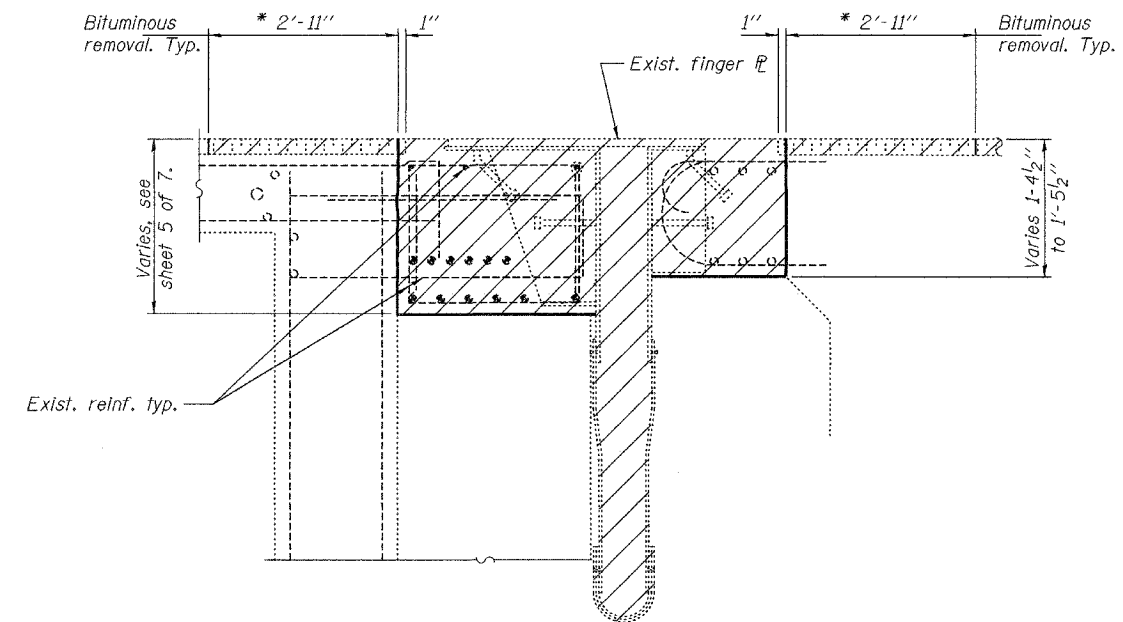
SHEET NO. 3
7 SHEETS



PLAN AT NORTH ABUTMENT



SECTION F-F



SECTION G-G

Notes:
Hatched areas indicate removal.
Longitudinal reinforcement extending into removed area shall be cleaned, straightened and incorporated into the new construction.
Perimeters of concrete & bituminous removal shall be saw cut 3/4" prior to the removal of the concrete.
* Waterproofing membrane system in this area shall not be damaged in order to provide a suitable lap for the new waterproofing membrane.
The bituminous concrete surface removal shall be included in Concrete Removal.

DESIGNED	DAB
CHECKED	PSJ
DRAWN	baliva
CHECKED	DAB PSJ

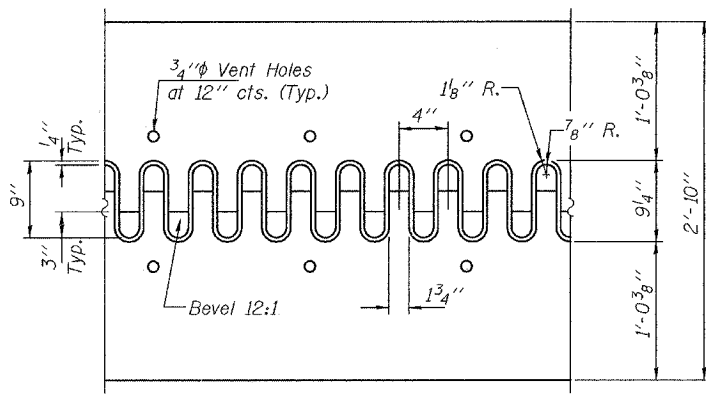
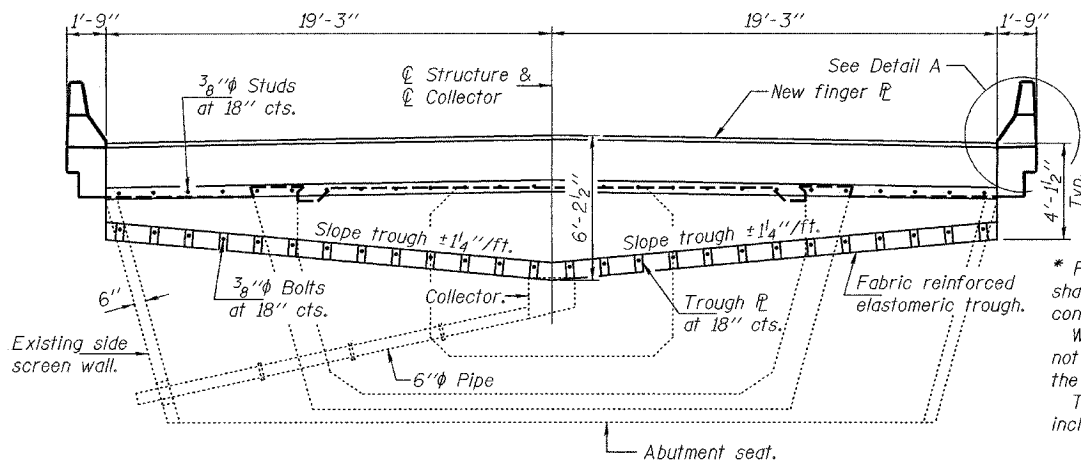
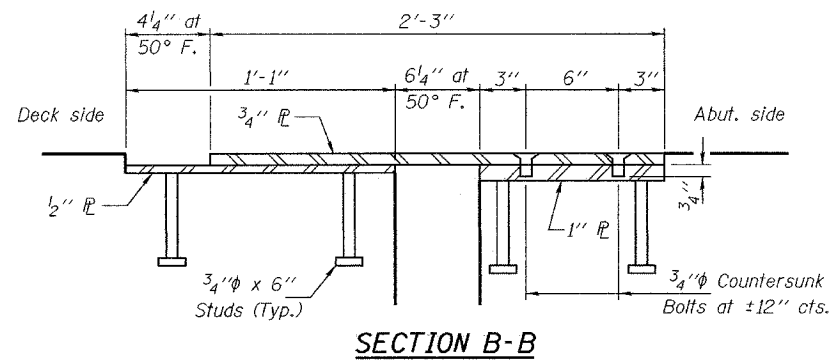
MARCH 7, 2005
EXAMINED *John A. Morris*
ENGINEER OF STRUCTURAL SERVICES
PASSED *Ralph E. Anderson*
ENGINEER OF BRIDGES AND STRUCTURES

BRIDGE REPAIRS
I-39 OVER KISHWAUKEE RIVER
WINNEBAGO COUNTY
STA. 2425+00
SN 101-0133(SB)

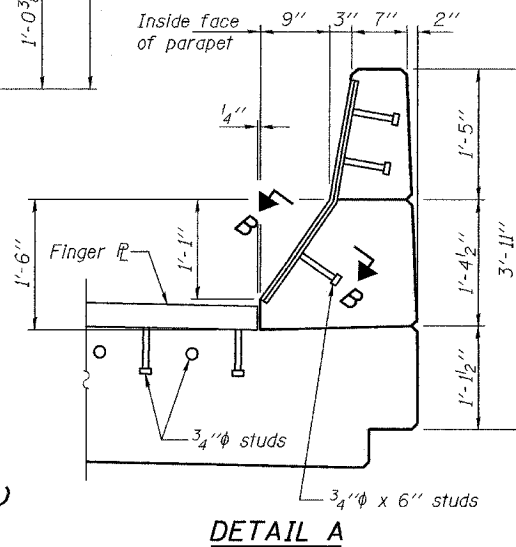
STATE OF ILLINOIS
DEPARTMENT OF TRANSPORTATION

ROUTE NO.	SECTION	COUNTY	TOTAL SHEETS	SHEET NO.
1-39		WINNEBAGO		10
FED. ROAD DIST. NO. 7		ILLINOIS	FED. AID PROJECT	CONTRACT NO. 64A06

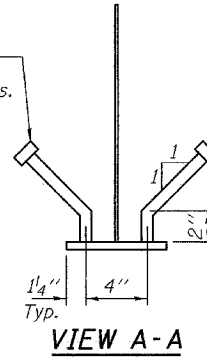
SHEET NO. 4
7 SHEETS



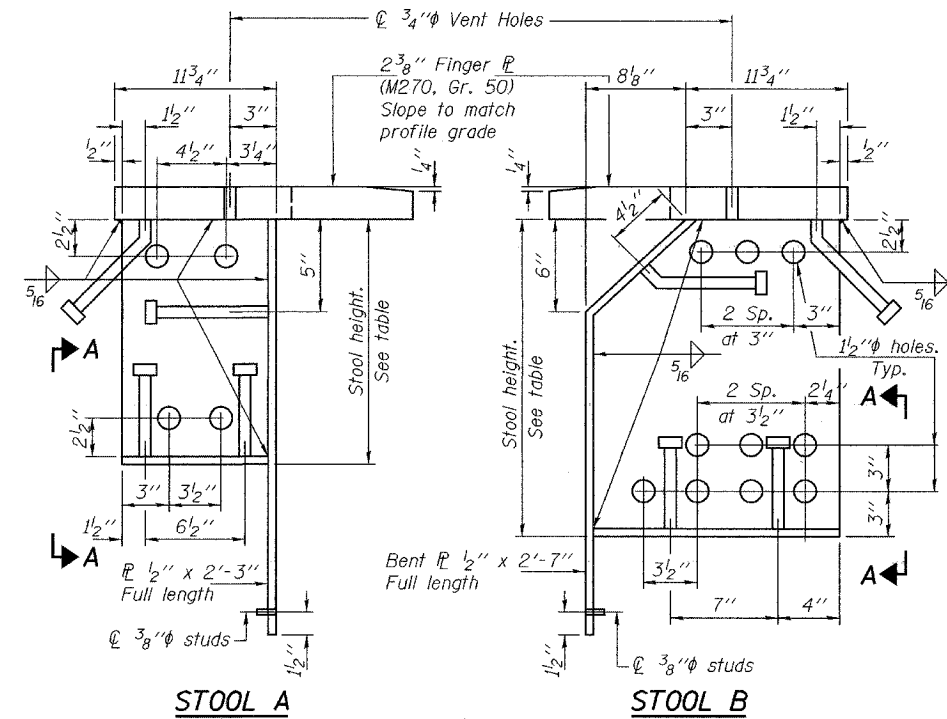
Cut from
P 2 3/8" x 2'-10" x 38'-5 1/2" (M270, Gr. 50)



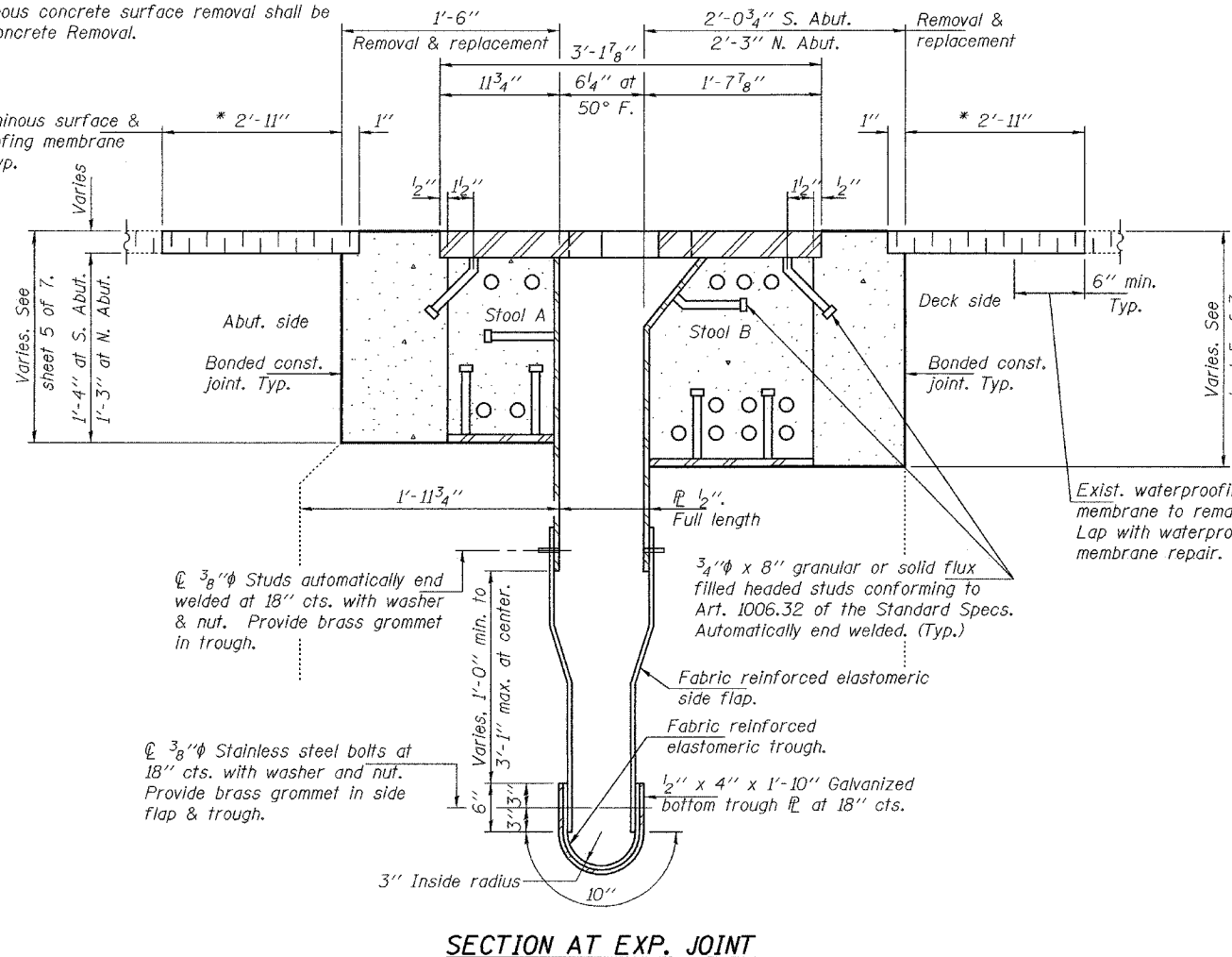
3/4" x 8" granular or solid flux filled headed studs conforming to Art. 1006.32 of the Standard Specs. Automatically end welded. (Typ.)



* Perimeters of concrete & bituminous removal shall be saw cut 3/4" prior to the removal of the concrete.
Waterproofing membrane system in this area shall not be damaged in order to provide a suitable lap for the new waterproofing membrane.
The bituminous concrete surface removal shall be included in Concrete Removal.



New bituminous surface & waterproofing membrane repair. Typ.



STOOL HEIGHTS

Stool No.	Stool A S. Abut.	Stool A N. Abut.	Stool B Typ. Ea. Abut.
1	15 1/8"	14 1/8"	20 1/8"
2	15 1/8"	14 1/8"	20 3/8"
3	15 1/8"	14 1/8"	21 1/8"
4	15 1/8"	14 1/8"	16 1/8"
5	15 3/8"	14 3/8"	20 5/8"
6	15 3/8"	14 3/8"	21"
7	15 3/8"	14 3/8"	21 3/8"
8	15 3/8"	14 3/8"	21 1/4"
9	15 3/8"	14 3/8"	22 1/8"
10	15 3/8"	14 3/8"	22 1/2"
11	16 1/8"	15 1/8"	22 1/8"
12	16 1/8"	15 1/8"	22 1/2"
13	16 1/8"	15 1/8"	22 1/8"
14	16 1/8"	15 1/8"	21 3/4"
15	16 1/8"	15 1/8"	21 3/8"
16	16 1/8"	15 1/8"	17 3/4"
17	16 1/8"	15 1/8"	23 3/8"
18	16 1/8"	15 1/8"	22 1/8"
19	16 1/8"	15 1/8"	22 3/8"
20	16 1/8"	15 1/8"	

Cut Stool A from W21x57.
Cut Stool B from W27x84.

DESIGNED	DAB
CHECKED	PSJ
DRAWN	baliva
CHECKED	DAB PSJ

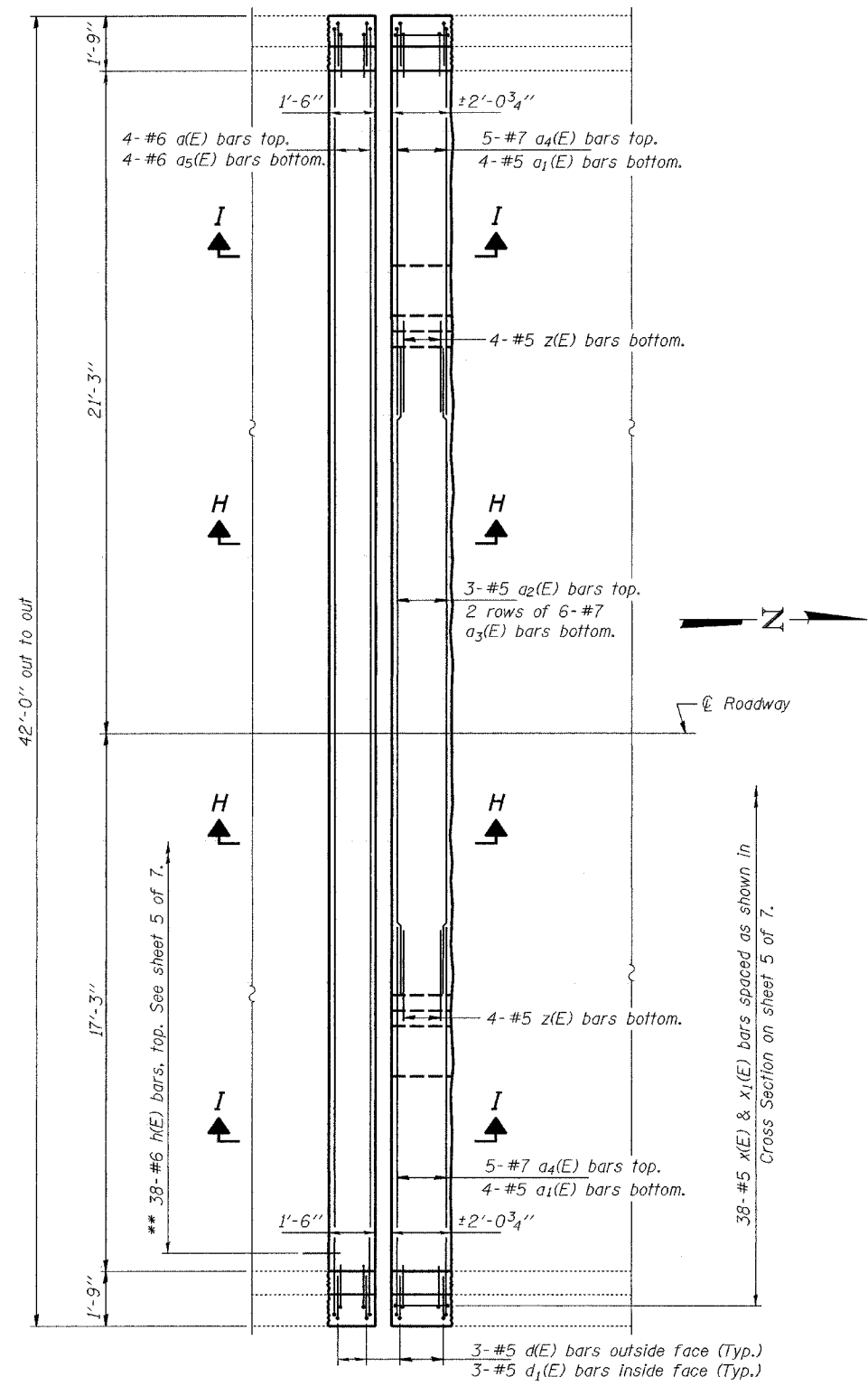
EXAMINED	John A. Morris ENGINEER OF STRUCTURAL SERVICES
PASSED	Ralph E. Anderson ENGINEER OF BRIDGES AND STRUCTURES

MARCH 7, 2005

BRIDGE REPAIRS
I-39 OVER KISHWAUKEE RIVER
WINNEBAGO COUNTY
STA. 2425+00
SN 101-0133(SB)

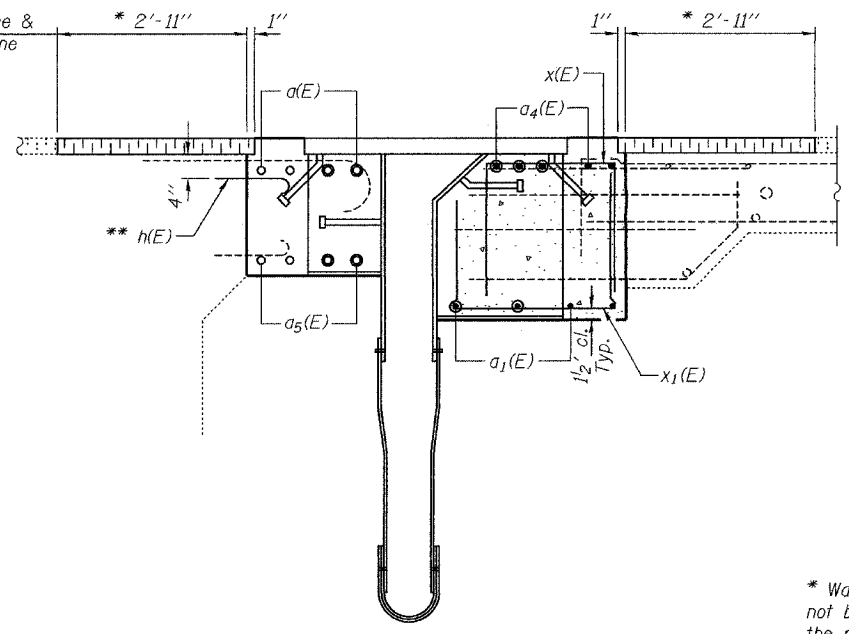
STATE OF ILLINOIS
DEPARTMENT OF TRANSPORTATION

ROUTE NO.	SECTION	COUNTY	TOTAL SHEETS	SHEET NO.
1-39		WINNEBAGO		6
7 SHEETS				
FED. ROAD DIST. NO. 7	ILLINOIS	FED. AID PROJECT-	CONTRACT NO. 64A86	



PLAN AT SOUTH ABUTMENT

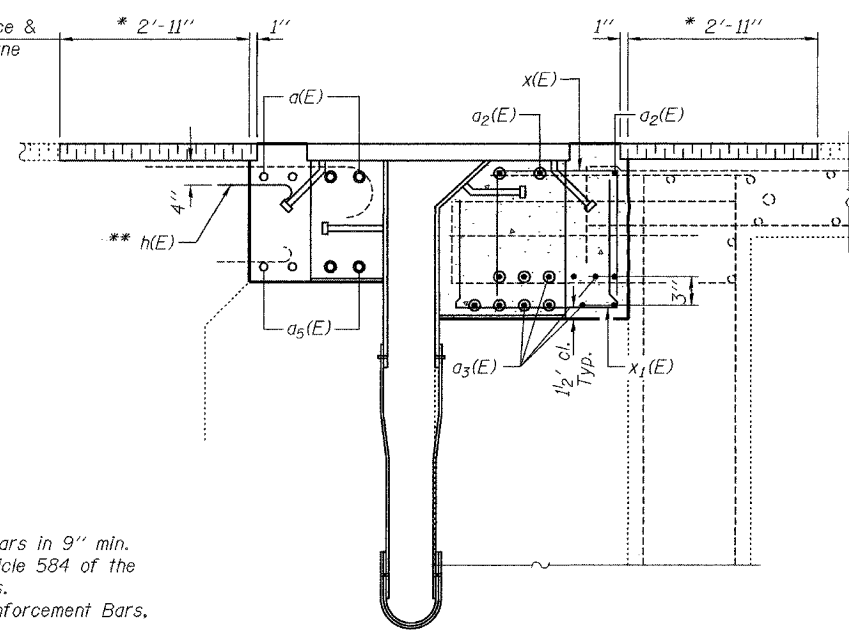
New bituminous surface & waterproofing membrane repair. Typ.



SECTION I-I

* Waterproofing membrane system in this area shall not be damaged in order to provide a suitable lap for the new waterproofing membrane.

New bituminous surface & waterproofing membrane repair. Typ.



SECTION H-H

** Epoxy grout h(E) bars in 9" min. holes according to Article 584 of the Standard Specifications. Cost included with Reinforcement Bars. Epoxy Coated

DESIGNED	DAB
CHECKED	PSJ
DRAWN	ballva
CHECKED	DAB PSJ

MARCH 7, 2005
 EXAMINED *John A. Morris*
 ENGINEER OF STRUCTURAL SERVICES
 PASSED *Ralph E. Anderson*
 ENGINEER OF BRIDGES AND STRUCTURES

BRIDGE REPAIRS
 I-39 OVER KISHWAUKEE RIVER
 WINNEBAGO COUNTY
 STA. 2425+00
 SN 101-0133(SB)

