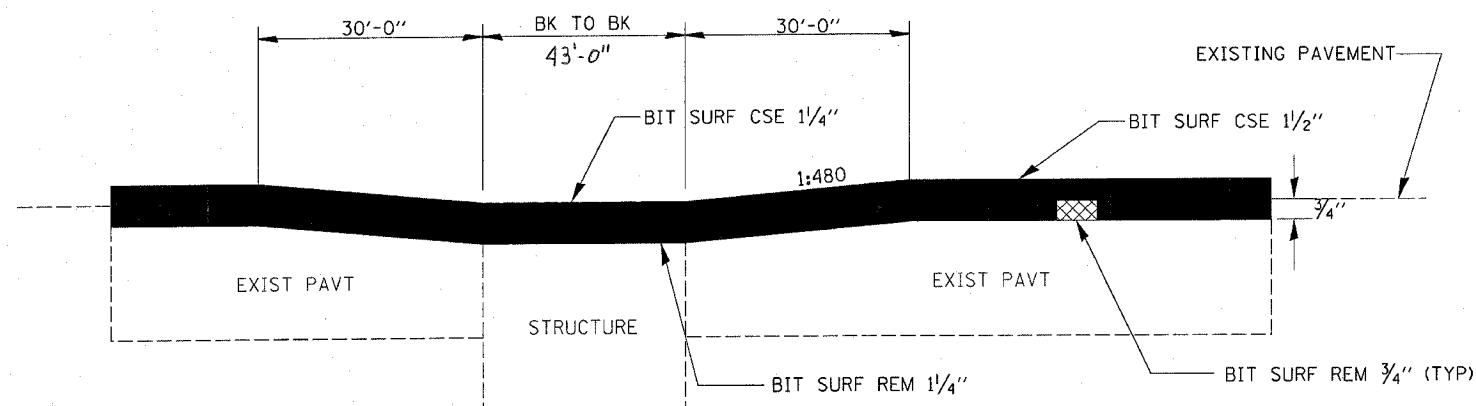


F.A.S. RTE.	SECTION	COUNTY	TOTAL SHEETS	SHEET NO.
317	(36,37) RS-2	IROQUOIS	13	13

STA. _____ TO STA. _____
 FED. ROAD DIST. NO. _____ ILLINOIS FED. AID PROJECT

CONTRACT #66338

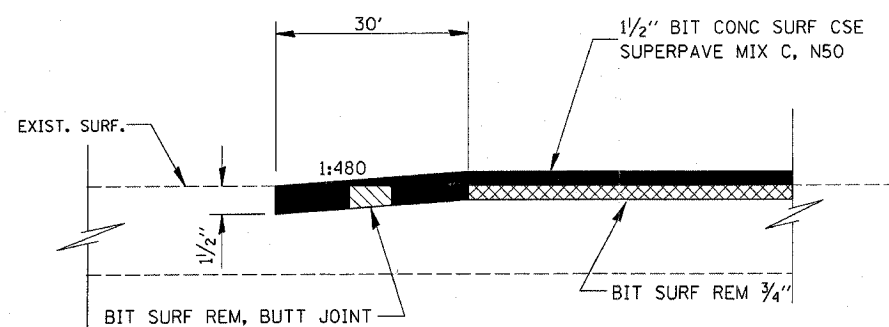


BITUMINOUS SURFACE REMOVAL TRANSITION

SN 038-0040
 STA 1250+33.8 TO 1251+63.8

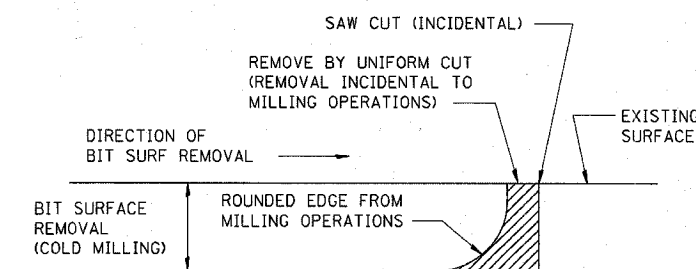
THE CONTRACTOR SHALL EXERCISE CARE NOT TO DAMAGE THE EXISTING WATERPROOFING MEMBRANE SYSTEM WHILE COMPLETING THE BITUMINOUS SURFACE REMOVAL OPERATIONS ON THE STRUCTURE. ANY DAMAGE TO THE WATERPROOFING MEMBRANE SYSTEM SHALL BE REPAIRED TO THE SATISFACTION OF THE ENGINEER AT THE CONTRACTOR'S EXPENSE.

NOTE: VARIABLE DEPTH MILLING SHALL BE PAID FOR AS BIT SURF REM 1 1/4"



BITUMINOUS SURF REM - BUTT JT

STA. 1080+27 TO STA. 1080+57
 STA. 1119+74 TO STA. 1120+04
 STA. 1120+30 TO STA. 1120+60
 STA. 1172+76 TO STA. 1173+06
 STA. 1173+54 TO STA. 1173+84
 STA. 1293+89 TO STA. 1294+19



NOTE: WHEN MILLING OPERATIONS PRODUCE A ROUNDED EDGE, THEN A SAW CUT SHALL BE USED TO MANUFACTURE A PERPENDICULAR EDGE AS SHOWN IN THE DETAIL. THE ENGINEER SHALL BE THE SOLE JUDGE CONCERNING THE USE OF THIS DETAIL.

BITUMINOUS DETAIL AT BUTT JOINTS

3/31/2005 c:\projects\ed02603\detail1.s.dgn