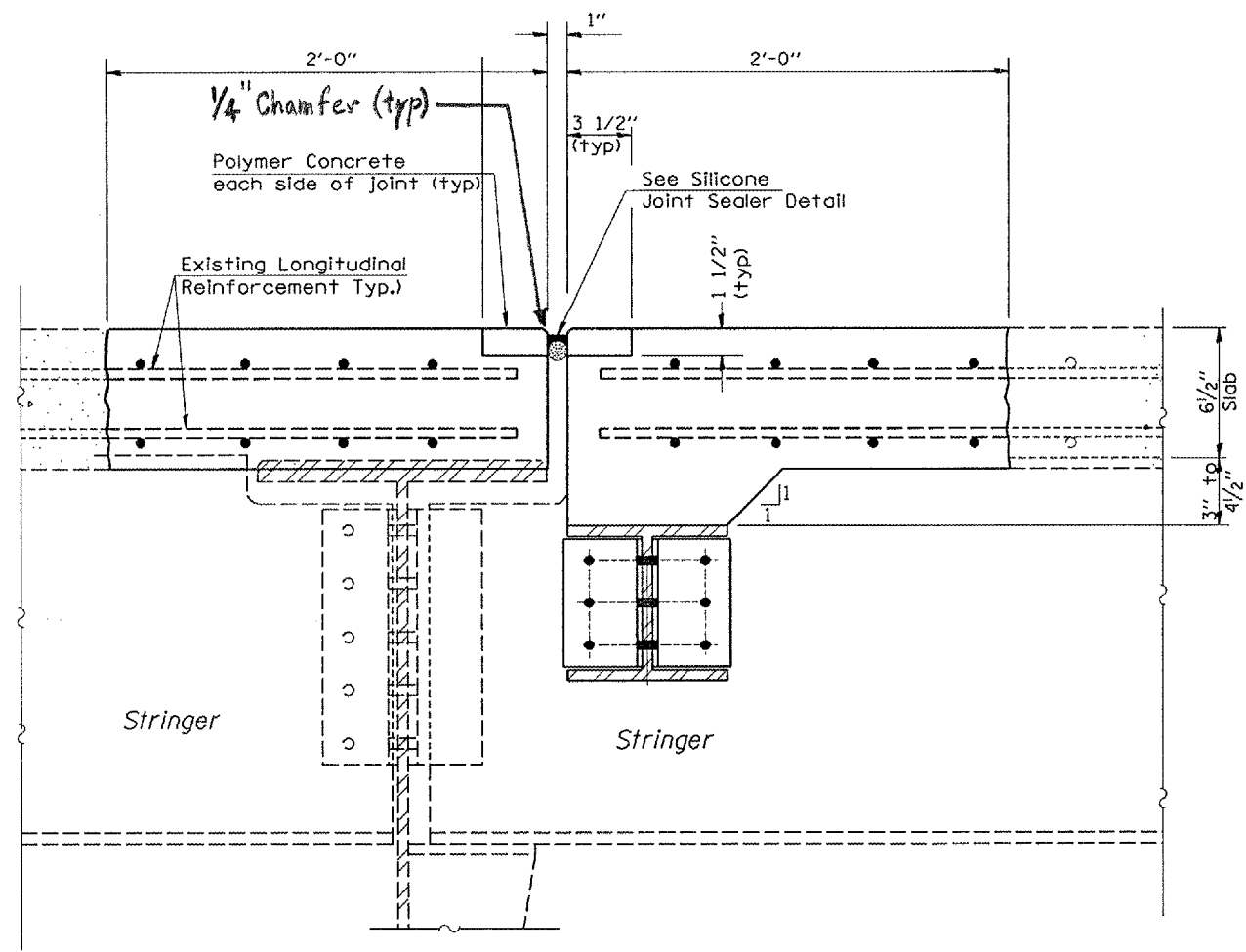
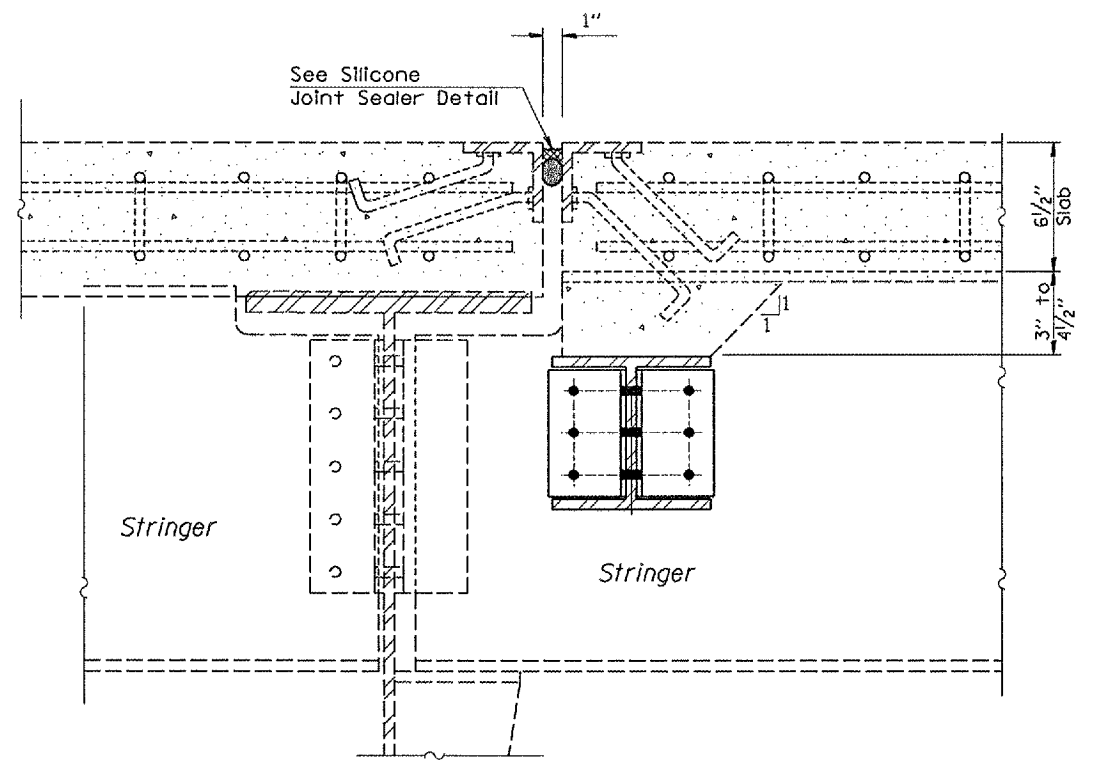


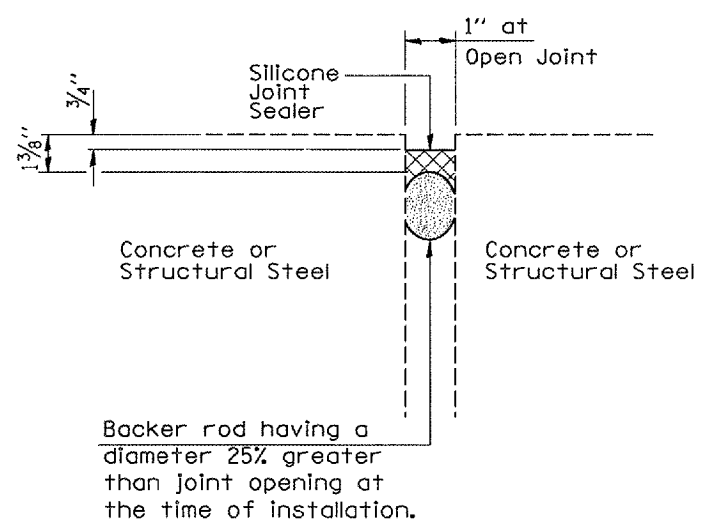
CONTRACT NO. 66548				
F.A.S. RTE.	SECTION	COUNTY	TOTAL SHEETS	SHEET NO.
1279	10,D,E,F,P)I-3	LASALLE	19	11
STA. 23+51		TO STA. 35+09		
FED. ROAD DIST. NO.		ILLINOIS NON-FED. AID PROJECT		



JOINT SEAL DETAIL A
Looking West @ L15 & L4'



JOINT SEAL DETAIL B
Looking West @ L8'
Looking East at L4 & L8



SILICONE JOINT SEALER

REVISIONS	
NAME	DATE

ILLINOIS DEPARTMENT OF TRANSPORTATION
JOINT SEAL DETAILS
EXISTING S.N. 050-0088
IL 178 OVER ILLINOIS RIVER
STATION 29+30
SCALE: VERT. _____
HORIZ. _____
DATE 12/08/04
DRAWN BY RLW
CHECKED BY _____

cma05/cm326/details.dgn