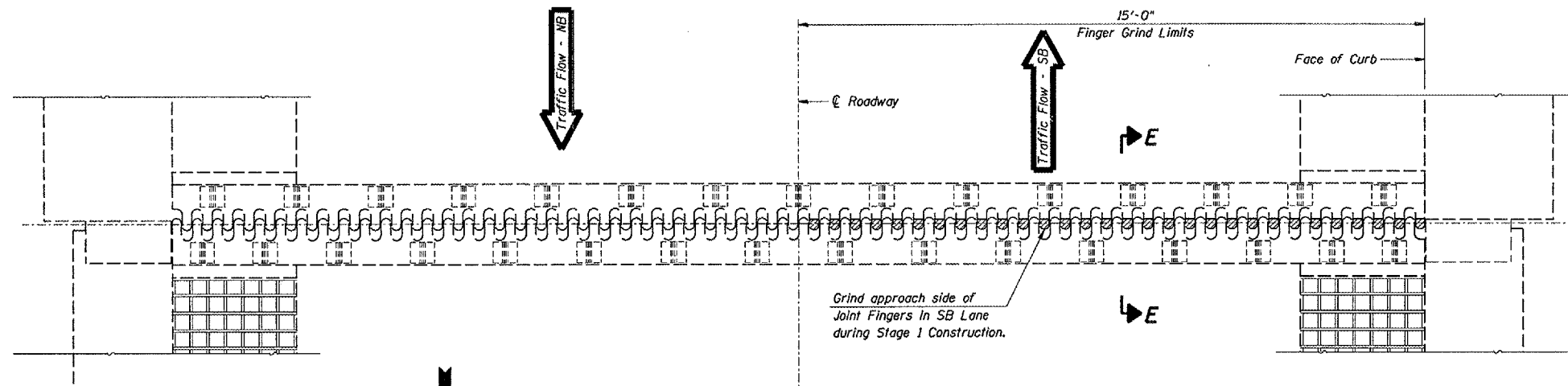
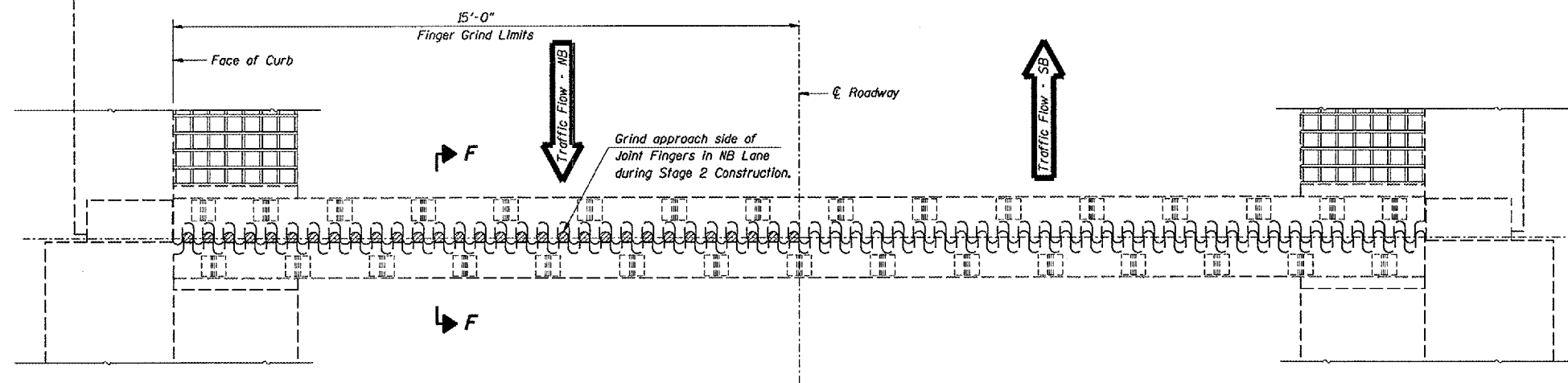


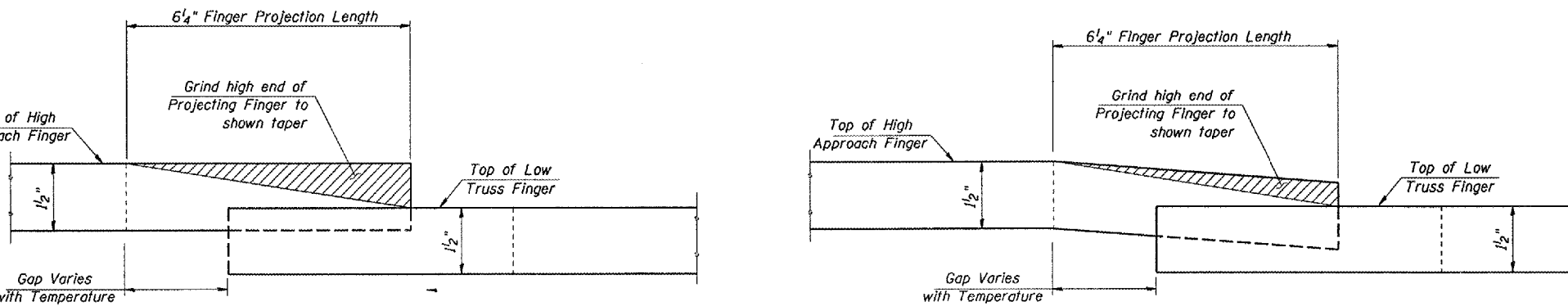
F.A.S. RTE.	SECTION	COUNTY	TOTAL SHEETS	SHEET NO.
1279	1(D,E,F,P)I-3	LASALLE	19	12
STA. 23+51		TO STA. 35+09		
FED. ROAD DIST. NO.		ILLINOIS NON-FED. AID PROJECT		



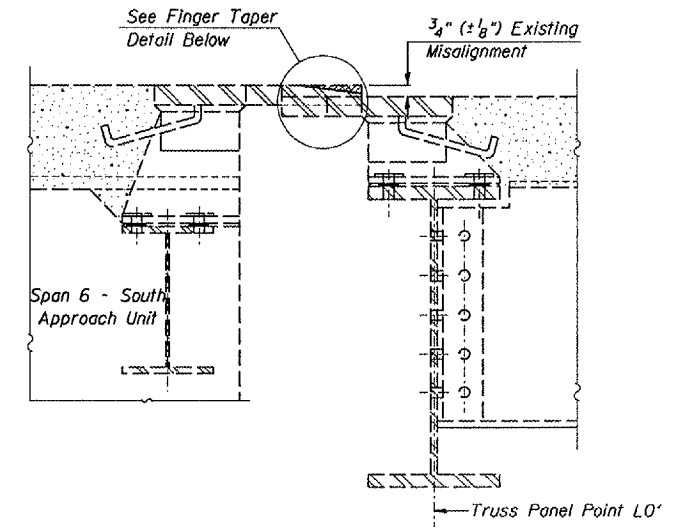
FINGER PLATE EXPANSION JOINT - PIER 5



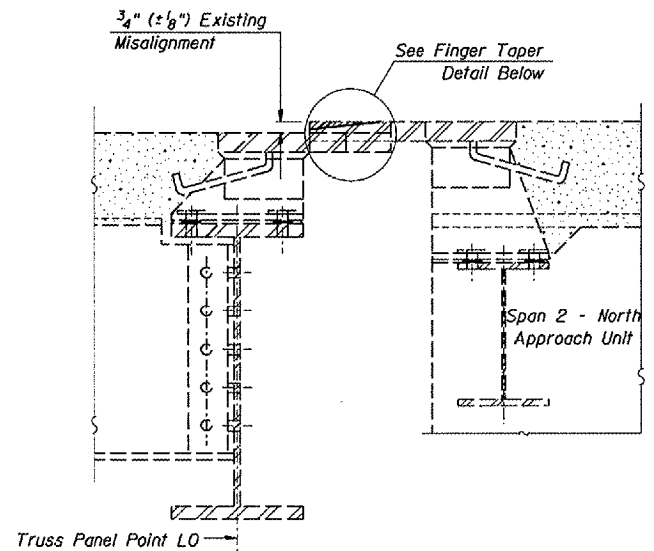
FINGER PLATE EXPANSION JOINT - PIER 2



FINGER TAPER DETAIL



CROSS SECTION E-E



CROSS SECTION F-F

BILL OF MATERIAL

ITEM	UNIT	TOTAL
Finger Plate Adjustment	Foot	30

REVISIONS	NAME	DATE

ILLINOIS DEPARTMENT OF TRANSPORTATION
FINGER JOINT REPAIR
DETAILS @ PIER 2 & PIER 5
 EXISTING S.N. 050-0088
 IL 178 OVER ILLINOIS RIVER
 STATION 29+30
 SCALE: VERT. _____
 HORIZ. _____
 DATE 12/08/04
 DRAWN BY RLW
 CHECKED BY _____

cm326/det/011s.cgn