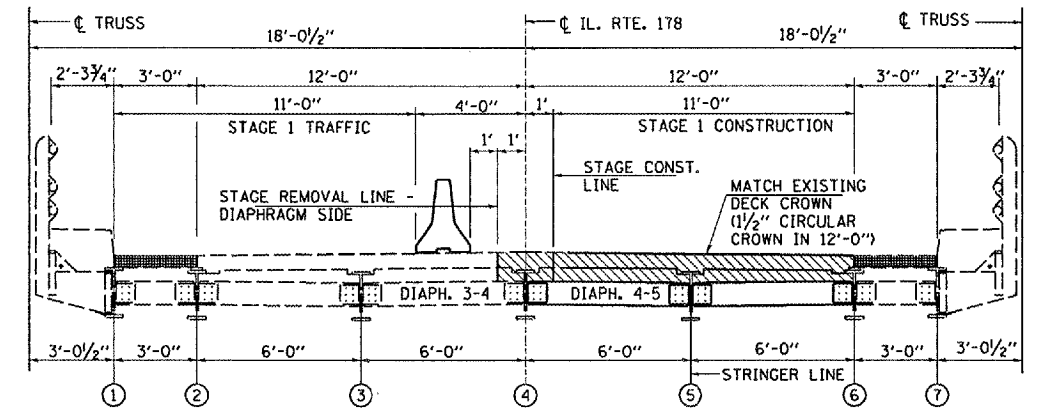
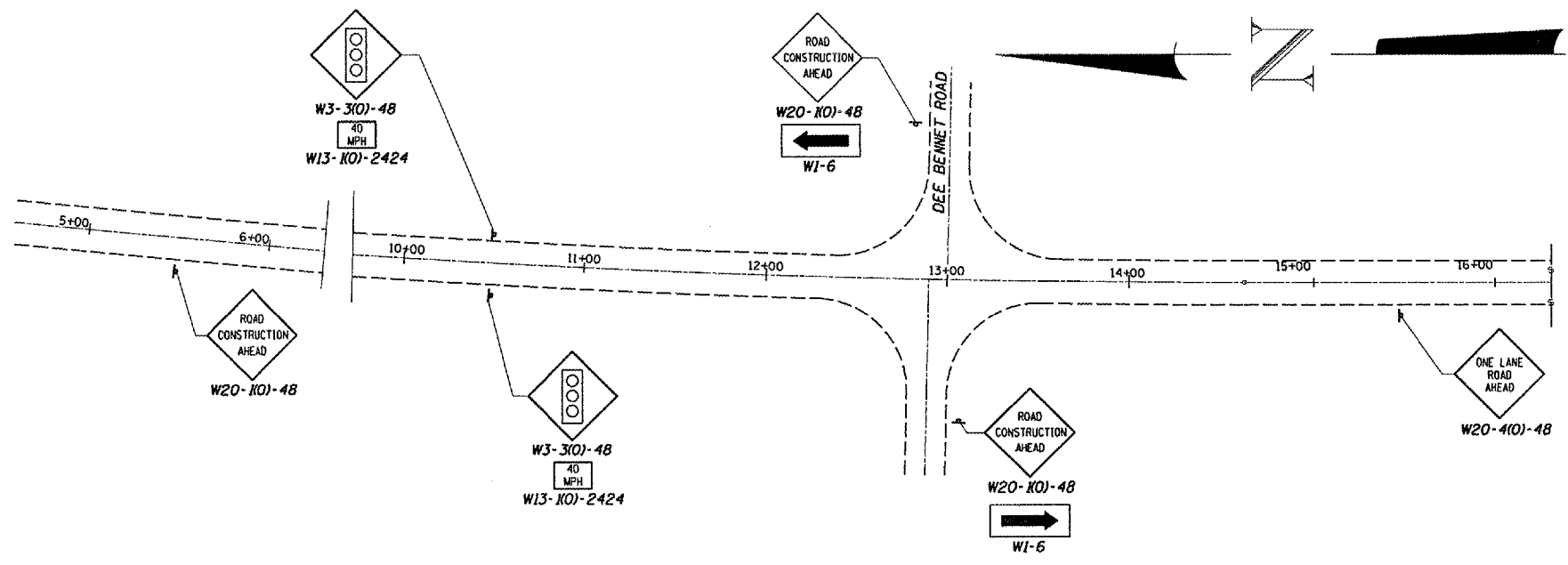
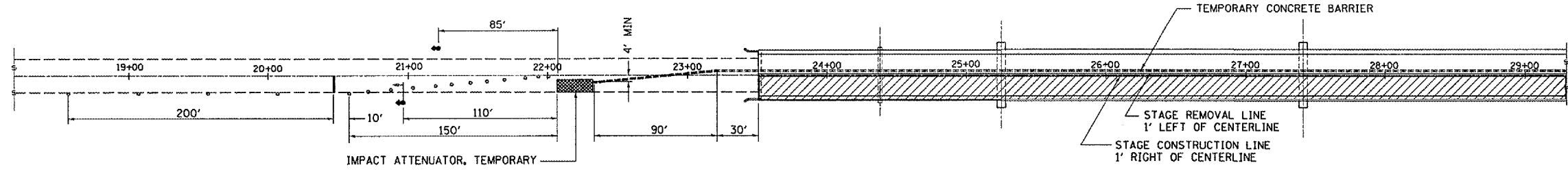


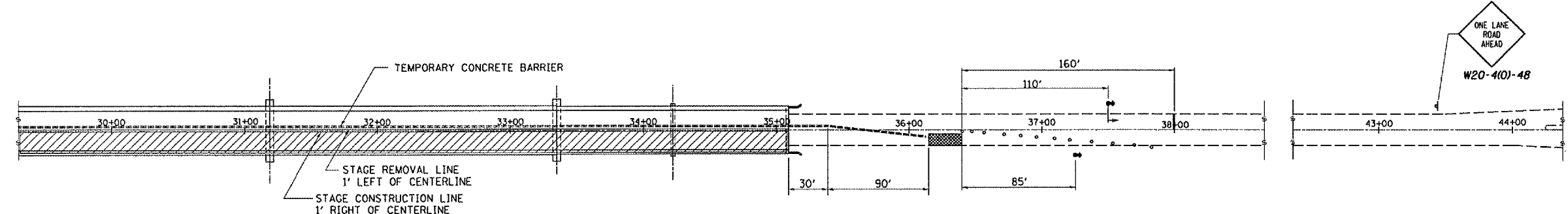
F.A.S. RTE.	SECTION	COUNTY	TOTAL SHEETS	SHEET NO.
1279	10,E,F,P1-3	LASALLE	19	16
STA. 23+51		TO STA. 35+09		
FED. ROAD DIST. NO.		ILLINOIS	NON-FED. AID PROJECT	



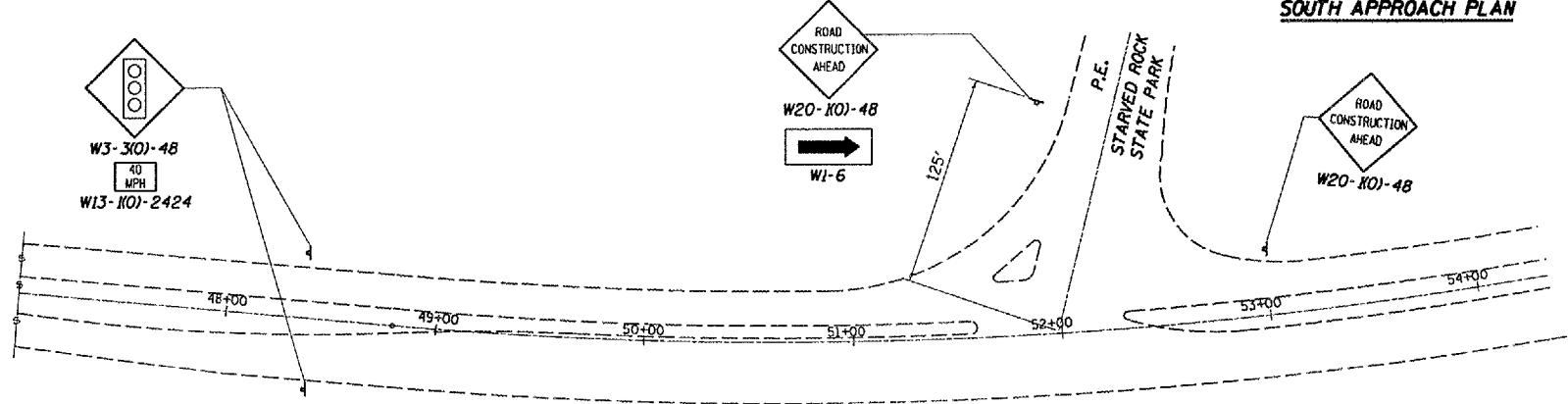
STAGE 1 TYPICAL SECTION  
LOOKING SOUTH



NORTH APPROACH PLAN



SOUTH APPROACH PLAN



- LEGEND**
- ◊ DRUM WITH STEADY BURNING LIGHT
  - ◄ TRAFFIC SIGNAL WITH MICROWAVE DETECTOR
  - ⊢ SIGN
  - ▨ INDICATES WORK AREA
  - ▩ IMPACT ATTENUATORS TEMPORARY
  - | STOP BAR

WORK THIS SHEET WITH STANDARD 701321

REVISIONS	
NAME	DATE

ILLINOIS DEPARTMENT OF TRANSPORTATION  
**TRAFFIC CONTROL DETAILS**  
**STAGE I**  
 EXISTING S.N. 050-0088  
 IL 178 OVER ILLINOIS RIVER  
 STATION 29 + 30  
 SCALE: VERT. \_\_\_\_\_  
 HORIZ. \_\_\_\_\_  
 DATE 12/08/04  
 DRAWN BY RLW  
 CHECKED BY \_\_\_\_\_

cm01n05/cm326/det.dlls.dgn