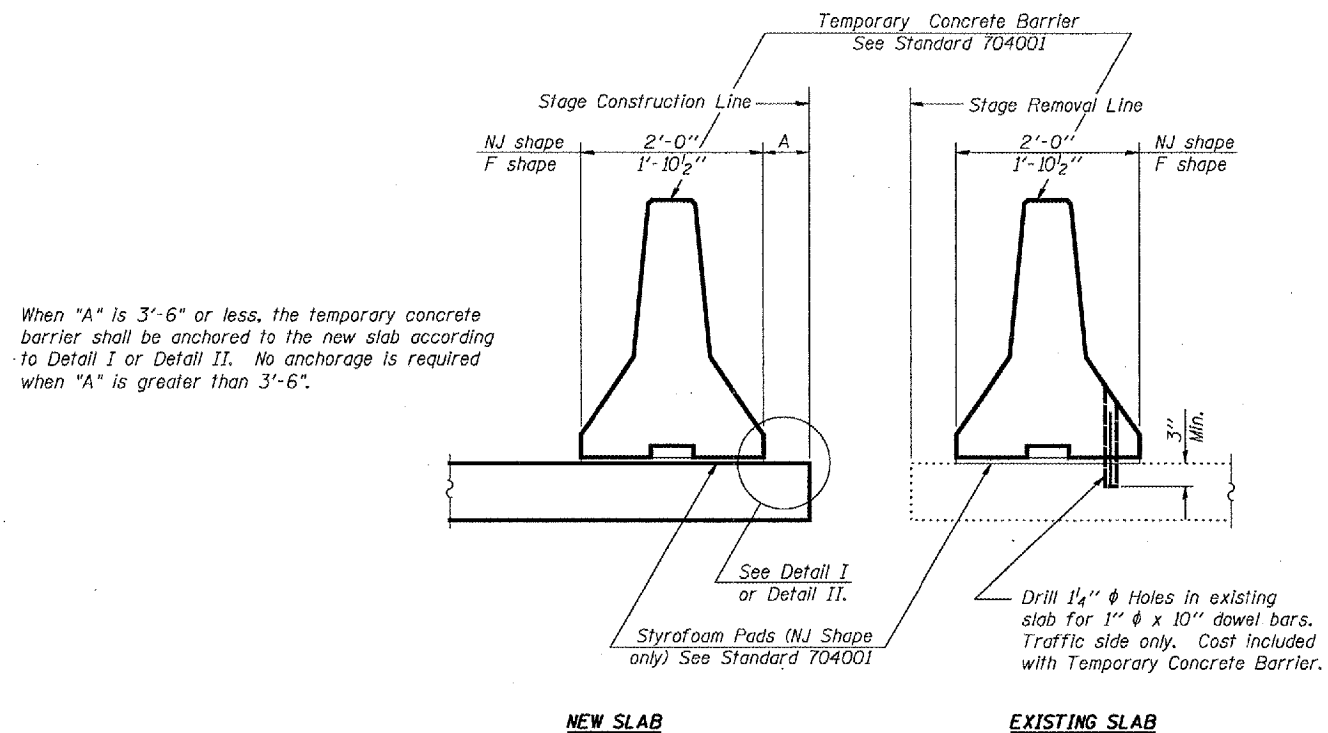


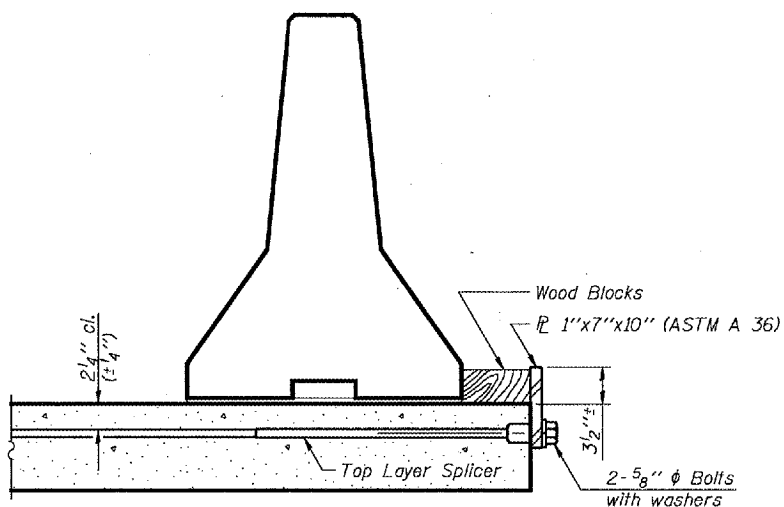
F.A.S. RTE.	SECTION	COUNTY	TOTAL SHEET NO.
1279	10,E,F,P11-3	LASALLE	19 19
STA. 23+51		TO STA. 35+09	
FED. ROAD DIST. NO.		ILLINOIS NON-FED. AID PROJECT	



**SECTIONS THRU SLAB**

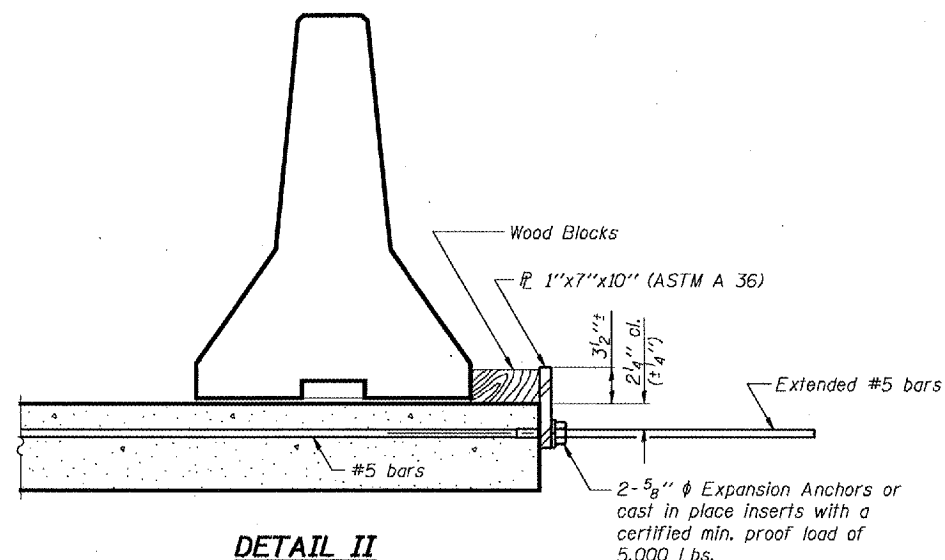
**NOTES**

- Detail I - With Bar Splicer or Couplers:**  
Connect one (1) 1"x7"x10" steel  $\bar{P}$  to the top layer of couplers with 2-5/8"  $\phi$  bolts screwed to coupler at approximate  $\bar{C}$  of each barrier panel.
- Detail II - With Extended Reinforcement Bars:**  
Connect one (1) 1"x7"x10" steel  $\bar{P}$  to the concrete slab with 2-5/8"  $\phi$  Expansion Anchors or cast in place inserts spaced between the top layer of reinforcement at approximate  $\bar{C}$  of each barrier panel.
- Cost of anchorage is included with Temporary Concrete Barrier.



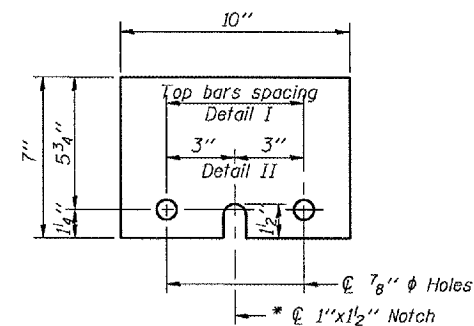
**DETAIL I**

The 1"x7"x10" Plate shall not be removed until Stage II Construction forms and reinforcement bars are in place.



**DETAIL II**

The 1"x7"x10" Plate shall not be removed until Stage II Construction forms and all reinforcement bars are in place and the concrete is ready to be placed.



**P 1"x7"x10"**

\* Required only with Detail II

REVISIONS	
NAME	DATE

ILLINOIS DEPARTMENT OF TRANSPORTATION  
**TEMPORARY CONCRETE BARRIER**  
 EXISTING S.N. 050-0088  
 IL 178 OVER ILLINOIS RIVER  
 STATION 29+30

SCALE: VERT. N/A  
 HORIZ. N/A  
 DATE 12/08/04

DRAWN BY RLW  
 CHECKED BY