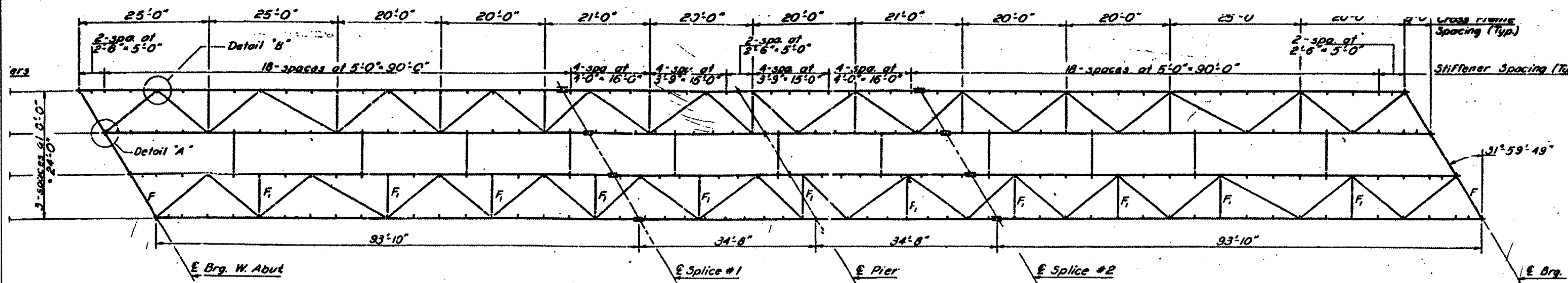
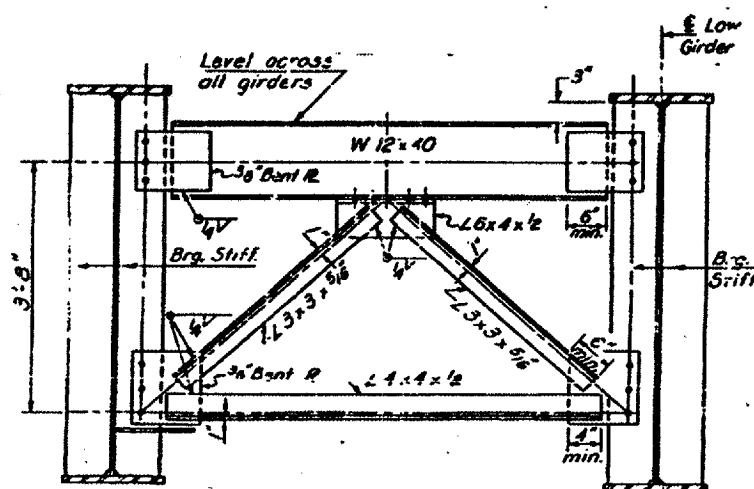


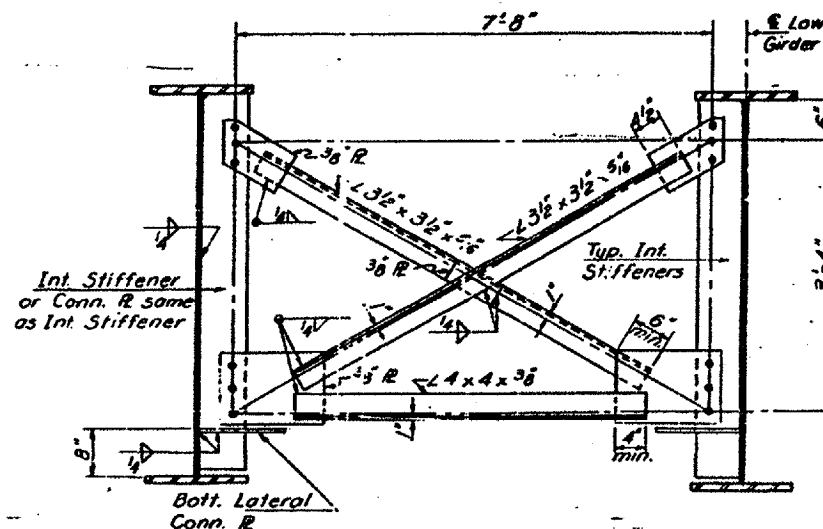
ROUTES	SECTION	COUNTY	TOTAL SHEETS	SHEET NO.
FAI 55 & FAP 673	D-3 BRIDGE PAINTING 2005-2	LIVINGSTON	17	12
ILLINOIS				



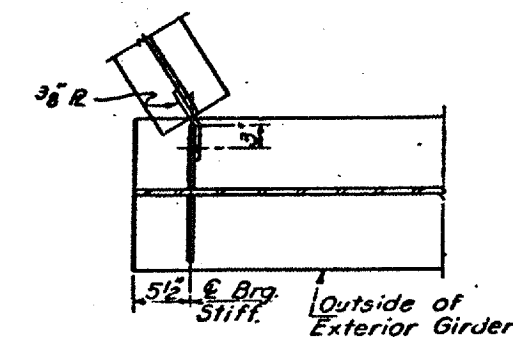
PLAN



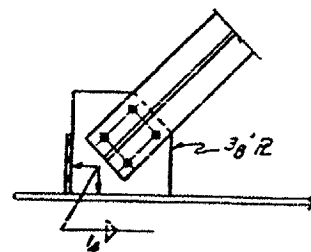
DETAIL CROSS FRAME F
6 Req'd



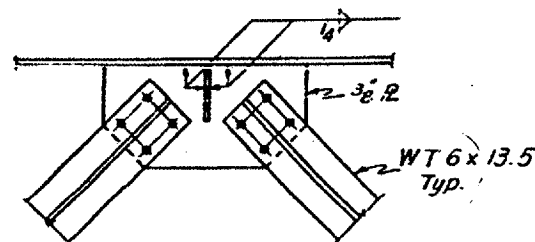
DETAIL CROSS FRAME F1
33 Req'd



CROSS FRAME CONNECTION
DETAIL AT ABUTMENT



DETAIL A



DETAIL B

FOR INFORMATION ONLY

REVISIONS	
NAME	DATE

ILLINOIS DEPARTMENT OF TRANSPORTATION
**EXISTING STRUCTURE
 LOCATION #2
 S.N. 053-0130**