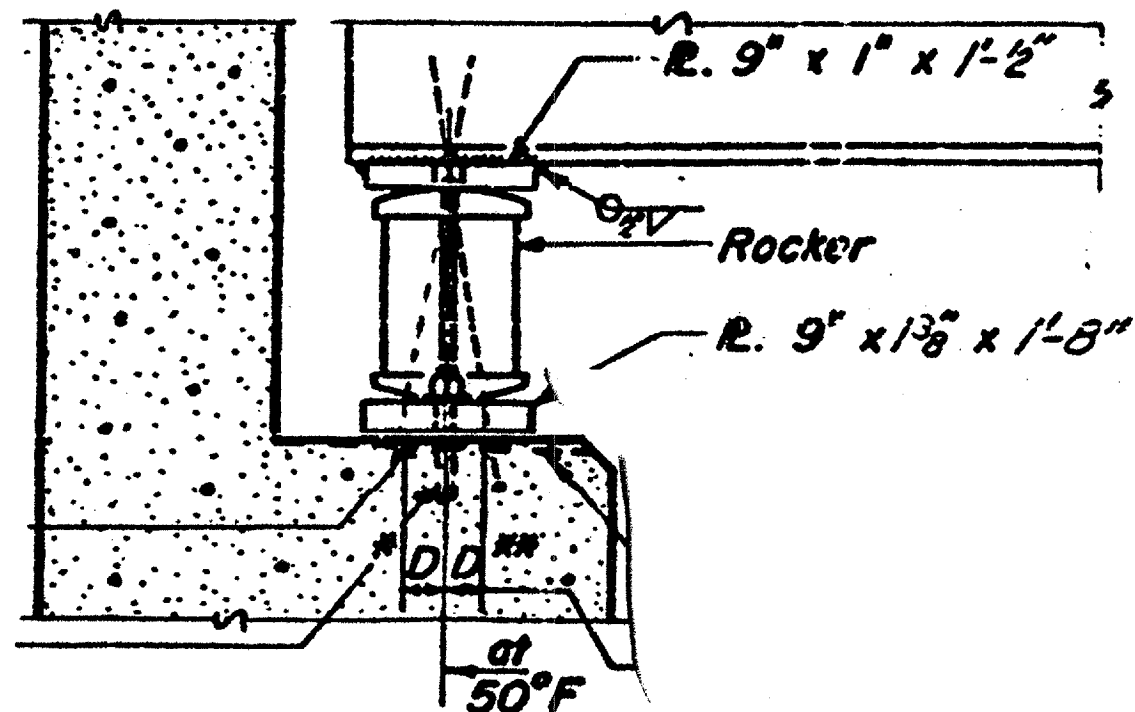
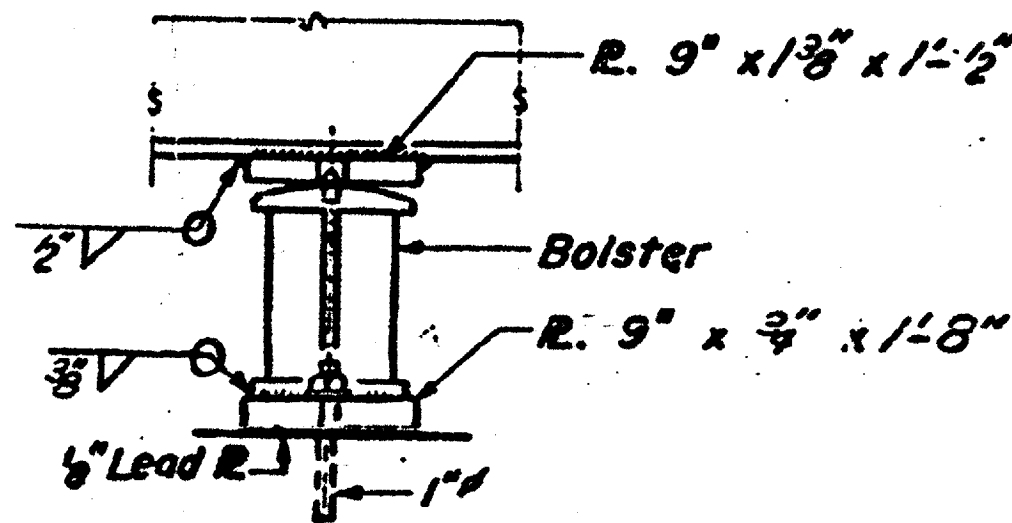
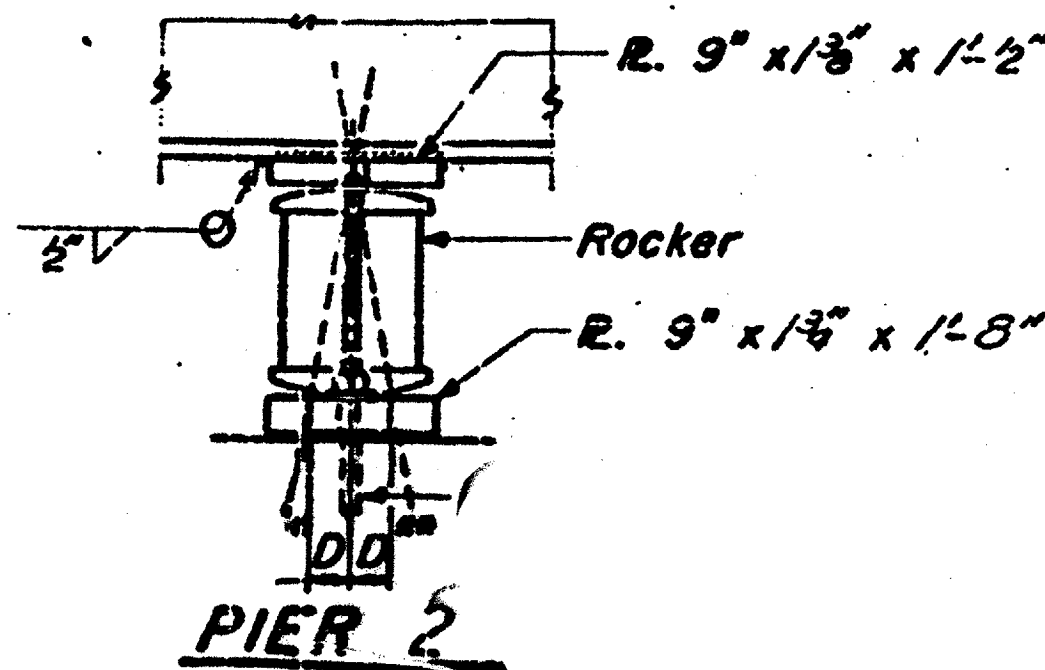


ROUTES	SECTION	COUNTY	TOTAL SHEETS	NO.
F&P 55 & F&P 673	D-3 BRIDGE PAINTING 2005-2	LIVINGSTON	17	17
ILLINOIS				



SECTION AT ABUTMENT



PIER 1

FOR INFORMATION ONLY

REVISIONS	
NAME	DATE

ILLINOIS DEPARTMENT OF TRANSPORTATION
EXISTING STRUCTURE
LOCATION #3
S.N. 053-0065

Date: 03/23/05
 c:/projects/bridgepoint05/bp2005-2/details.dgn