

F.A. RTE.	SECTION	COUNTY	TOTAL SHEETS	SHEET NO.
FAI 55 & FAP 673	D-3 BRIDGE PAINTING 2005-2	LIVINGSTON	17	1

INDEX OF SHEETS

- 1. COVER SHEET
- 2. GENERAL NOTES
- 3. SUMMARY OF QUANTITIES
- 4. SCHEDULES
- 5. TRAFFIC CONTROL DETAILS
- 6 - 9. EXISTING STRUCTURE LOCATION #1 S.N. 053-0135
- 10 - 13. EXISTING STRUCTURE LOCATION #2 S.N. 053-0130
- 14 - 17. EXISTING STRUCTURE LOCATION #3 S.N. 053-0065

STANDARDS

- 635011-01 REFLECTOR MARKER AND MOUNTING DETAILS
- 701001-01 OFF- ROAD OPERATIONS 2L, 2W, MORE THEN 4.5 m (15') AWAY
- 701006-02 OFF- ROAD OPERATIONS 2L, 2W, 4.5 m (15') TO 600 mm (24") FROM PAVEMENT EDGE
- 701101-01 OFF-ROAD OPERATIONS MULTILANE, 4.5 m (15') TO 600 mm (24") FROM PAVEMENT EDGE
- 701106-01 OFF-ROAD OPERATIONS, MULTILANE, MORE THAN 4.5 m (15') AWAY
- 701201-02 LANE CLOSURE, 2L, 2W, DAY ONLY, FOR SPEEDS > 45 MPH
- 701400-02 APPROACH TO LANE CLOSURE, FREEWAY/EXPRESSWAY
- 701402-05 LANE CLOSURE, FREEWAY/EXPRESSWAY, WITH BARRIER
- 702001-05 TRAFFIC CONTROL DEVICES
- 704001-02 TEMPORARY CONCRETE BARRIER

STATE OF ILLINOIS
DEPARTMENT OF TRANSPORTATION
DIVISION OF HIGHWAYS

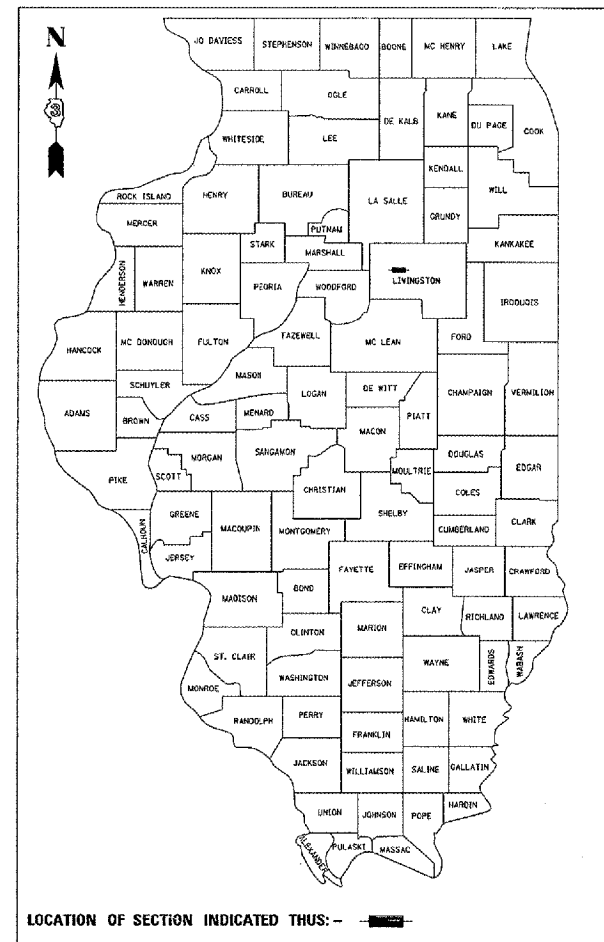
PROPOSED
HIGHWAY PLANS

FAI ROUTE 55 (I-55) & FAP ROUTE 673 (IL 116)
SECTION D-3 BRIDGE PAINTING 2005-2

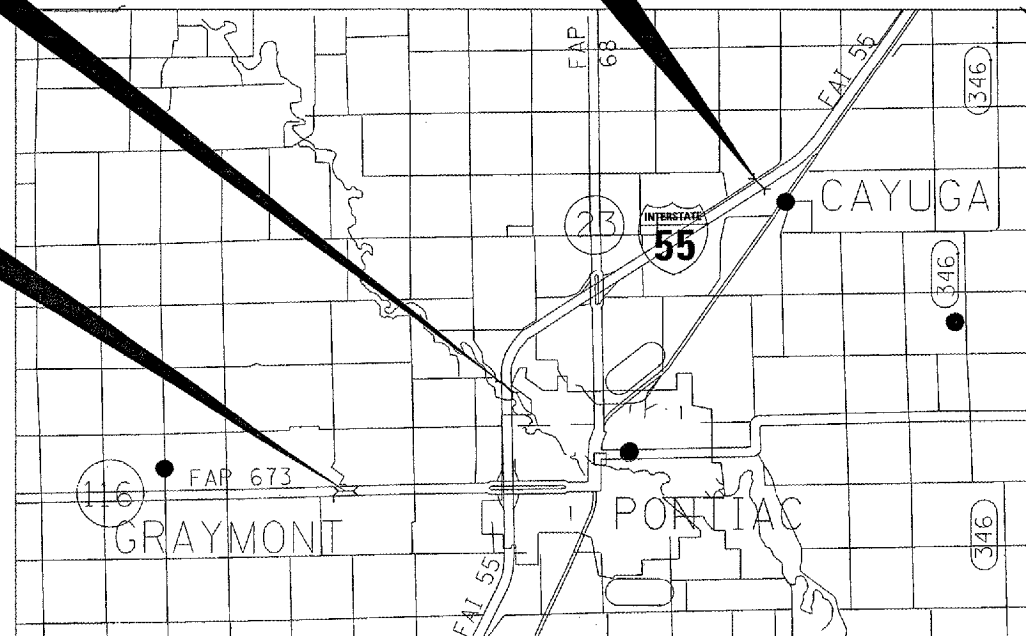
LIVINGSTON COUNTY

C - 93 - 075 - 05
BRIDGE PAINTING

D-93-051-05



- PROJECT LOCATION #1**
S.N. 053-0135
CARRYING TOWNSHIP ROAD 101
3.2 mi. N.E. OF IL 23
- PROJECT LOCATION #2**
S.N. 053-0130
CARRYING COUNTY HIGHWAY 27
1.6 mi. NORTH OF IL 116
- PROJECT LOCATION #3**
S.N. 053-0065
OVER ROOKS CREEK
2.7 mi. WEST OF I-55



LOCATION MAP
NOT TO SCALE

MICROFILMED _____
 REEL NUMBER _____
 AWARDED _____
 RESIDENT ENGINEER _____
 AS BUILT CHANGES WERE MADE
 ON THE FOLLOWING SHEETS _____

J.U.L.I.E.
 JOINT UTILITY LOCATION INFORMATION FOR EXCAVATION
 1-800-892-0123

CONTRACT 66569
 DISTRICT 3 NO. (815) 434-6131

PROJECT ENGINEER: TOM HUFNAGEL 815-434-8418
 UNIT CHIEF: RON WOODSHANK 815-434-8419

STATE OF ILLINOIS
 DEPARTMENT OF TRANSPORTATION
 DIVISION OF HIGHWAYS

SUBMITTED 3/29 2005
Margaret Z. Mounts
 DEPUTY DIRECTOR OF HIGHWAYS, REGION ENGINEER

May 13, 2005
Mike Hene
 ENGINEER OF DESIGN AND ENVIRONMENT

May 13, 2005
Victor Madler
 DIRECTOR OF HIGHWAYS, CHIEF ENGINEER

PRINTED BY THE AUTHORITY
OF THE STATE OF ILLINOIS

ROUTES	SECTION	COUNTY	TOTAL SHEETS	SHEET NO.
FAL 55 & FAP 673	D-3 BRIDGE PAINTING 2005-2	LIVINGSTON	17	2
ILLINOIS				

GENERAL NOTES:

Plan dimensions and details relative to the existing roadway and structure have been taken from existing plans and are subject to nominal construction variations. It shall be the contractor's responsibility to verify such dimensions and details in the field and to make necessary approved adjustments prior to construction or ordering of materials. Such variations shall not be cause for additional compensation for a change in the scope of the work, however, the contractor will be paid for the quantity actually furnished at the unit price bid for the work.

The contractor shall be responsible for protecting utility property from construction operations as outlined in Article 107.31 of the Standard Specifications. The "Julie" Number is 1-800-892-0123. A minimum of forty-eight (48) hours advance notice is required.

For stabilization, all Type II barricades and Direction Indicator barricades shall require a minimum of four sand bags per barricade.

Where section or subsection monuments are encountered, the engineer shall be notified before such monuments are removed. The contractor shall protect and carefully preserve all monuments until an authorized surveyor or agent has witnessed or otherwise referenced their location. The contractor shall be responsible for having an authorized surveyor reestablish any section or subsection monuments destroyed by his operations.

Any reference to a standard in these plans shall be interpreted to mean the edition as indicated by the subnumber listed on the index of sheets or the copy of the standard included in these plans.

The contractor shall be required to secure and waste containers that remain on the job site. This will entail that all waste containers can not be moved or opened during non-working hours.

Working days shall be charged until the contractor/subcontractor licensed to dispose of lead paint residue has removed the waste material from the job site according to all Federal, State and Local Laws and Ordinances.

The existing structural steel coating contains lead. The Contractor should take appropriate precautions to deal with the presence of lead on this project.

The SSPC-0P1 and SSPC-0P2 Painting Contractor Certifications will not be required for this project.

Cleaning and painting of the existing structural steel shall be as specified in the Special Provision for Cleaning and Painting Existing Steel Structures. All existing steel shall be cleaned per Near White Blast Cleaning - SSPC-SP10. All existing steel shall be painted according to the requirements of Paint System 1 - 02/EU. The color of the final finish coat for all interior steel surfaces shall be Gray, Munsell No. 5B 7/1. The color of the final finish coat for the exterior and bottom flange of the fascia beams shall be Reddish Brown, Munsell No. 2.5YR 3/4.

Suitable on-site sanitary facilities meeting Federal, State and local health department requirements shall be provided and maintained clean and in good working condition and shall be stocked with lavatory and sanitary supplies at all times during the period of the contract. Cost is incidental to the contract and no further compensation will be allowed.

DATE: 4/1/2005

PREPARED BY: Bruce A. Kusler
DISTRICT OPERATIONS ENGINEER

EXAMINED BY: Deborah J. ...
DISTRICT CONSTRUCTION ENGINEER

Thomas R. ...
DISTRICT STUDIES & PLANS ENGINEER

Kenneth ...
DISTRICT MATERIALS ENGINEER

REVISIONS	
NAME	DATE

ILLINOIS DEPARTMENT OF TRANSPORTATION

GENERAL NOTES

Date: 03/23/05
c:/projects/bridgpaint05/bp2005-2/derivis.dgn

ROUTES	SECTION	COUNTY	TOTAL SHEETS	SHEET NO.
FAI 55 & FAP 673	D-3 BRIDGE PAINTING 2005-2	LIVINGSTON	17	3
ILLINOIS				

SUMMARY OF QUANTITIES

CONSTRUCTION CODE: SFTY-2A

CODE NO.	ITEM	UNIT	TOTAL QUANTITY	RURAL 100% STATE	
				FAP 673 (IL 116)	FAI 55 (I-55)
50600600	CLEANING AND PAINTING STEEL BRIDGE NO. 1	L SUM	1		1
50600700	CLEANING AND PAINTING STEEL BRIDGE NO. 2	L SUM	1		1
50600800	CLEANING AND PAINTING STEEL BRIDGE NO. 3	L SUM	1	1	
50606401	CONTAINMENT AND DISPOSAL OF LEAD PAINT CLEANING RESIDUES NO.1	L SUM	1		1
50606402	CONTAINMENT AND DISPOSAL OF LEAD PAINT CLEANING RESIDUES NO.2	L SUM	1		1
50606403	CONTAINMENT AND DISPOSAL OF LEAD PAINT CLEANING RESIDUES NO.3	L SUM	1	1	
67100100	MOBILIZATION	L SUM	1	0.5	0.5
70100207	TRAFFIC CONTROL AND PROTECTION, STANDARD 701402	EACH	4		4
70100305	TRAFFIC CONTROL AND PROTECTION, STANDARD 701400	L SUM	1		1
70100450	TRAFFIC CONTROL AND PROTECTION, STANDARD 701201	L SUM	1	1	
70400100	TEMPORARY CONCRETE BARRIER	FOOT	520		520
70400200	RELOCATE TEMPORARY CONCRETE BARRIER	FOOT	1120		1120
X5067501	BRIDGE CLEANING AND PAINTING WARRANTY NUMBER 1	L SUM	1		1
X5067502	BRIDGE CLEANING AND PAINTING WARRANTY NUMBER 2	L SUM	1		1
X5067503	BRIDGE CLEANING AND PAINTING WARRANTY NUMBER 3	L SUM	1	1	
* Z0030250	IMPACT ATTENUATORS, TEMPORARY (NON-REDIRECTIVE), TEST LEVEL 3	EACH	2		2
* Z0030350	IMPACT ATTENUATORS, RELOCATE (NON-REDIRECTIVE), TEST LEVEL 3	EACH	6		6

* SFTY-3N

REVISIONS	
NAME	DATE

ILLINOIS DEPARTMENT OF TRANSPORTATION

SUMMARY OF QUANTITIES

Date: 03/23/05
c:\projects\br1\bridgepaint05\bp2005-2\de tails.dgn

ROUTES	SECTION	COUNTY	TOTAL SHEETS	SHEET NO.
F&P 55 & F&P 673	D-3 BRIDGE PAINTING 2005-2	LIVINGSTON	17	4
ILLINOIS				

SCHEDULE FOR BRIDGE NO. 1 S.N. 053-0135		
ITEM	UNIT	QUANTITY
CLEANING AND PAINTING STEEL BRIDGE NO. 1	L SUM	1
CONTAINMENT AND DISPOSAL OF LEAD PAINT CLEANING RESIDUES BRIDGE NO. 1	L SUM	1
TRAFFIC CONTROL AND PROTECTION STANDARD 701400	L SUM	1
TRAFFIC CONTROL AND PROTECTION STANDARD 701402	EACH	1
TEMPORARY CONCRETE BARRIER	FOOT	260
RELOCATE TEMPORARY CONCRETE BARRIER	FOOT	560
BRIDGE CLEANING AND PAINTING WARRANTY NO. 1	L SUM	1
IMPACT ATTENUATORS TEMPORARY (NON-DIRECTIVE) TEST LEVEL 3	EACH	1
IMPACT ATTENUATORS RELOCATE (NON-DIRECTIVE) TEST LEVEL 3	EACH	3

SCHEDULE FOR BRIDGE NO. 2 S.N. 053-0130		
ITEM	UNIT	QUANTITY
CLEANING AND PAINTING STEEL BRIDGE NO. 2	L SUM	1
CONTAINMENT AND DISPOSAL OF LEAD PAINT CLEANING RESIDUES BRIDGE NO. 2	L SUM	1
TRAFFIC CONTROL AND PROTECTION STANDARD 701400	L SUM	1
TRAFFIC CONTROL AND PROTECTION STANDARD 701402	EACH	1
TEMPORARY CONCRETE BARRIER	FOOT	260
RELOCATE TEMPORARY CONCRETE BARRIER	FOOT	560
BRIDGE CLEANING AND PAINTING WARRANTY NO. 2	L SUM	1
IMPACT ATTENUATORS TEMPORARY (NON-DIRECTIVE) TEST LEVEL 3	EACH	1
IMPACT ATTENUATORS RELOCATE (NON-DIRECTIVE) TEST LEVEL 3	EACH	3

SCHEDULE FOR BRIDGE NO. 3 S.N. 053-0065		
ITEM	UNIT	QUANTITY
CLEANING AND PAINTING STEEL BRIDGE NO. 3	L SUM	1
CONTAINMENT AND DISPOSAL OF LEAD PAINT CLEANING RESIDUES BRIDGE NO. 3	L SUM	1
TRAFFIC CONTROL AND PROTECTION STANDARD 701201	L SUM	1
BRIDGE CLEANING AND PAINTING WARRANTY NO. 3	L SUM	1

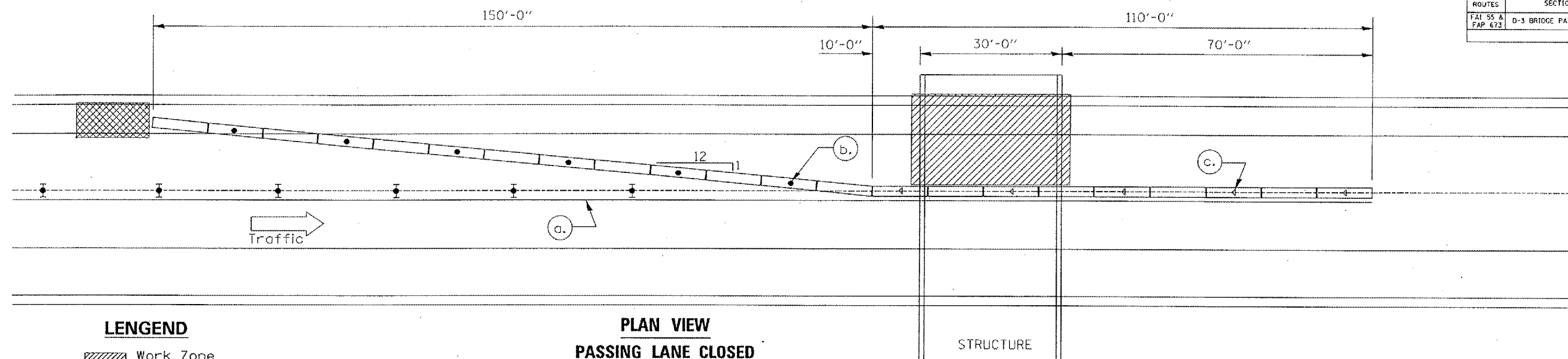
REVISIONS	
NAME	DATE

ILLINOIS DEPARTMENT OF TRANSPORTATION

SCHEDULES

Date: 3/23/05
c:\projects\bridgepaint105\bp2005-2\detalls.dgn

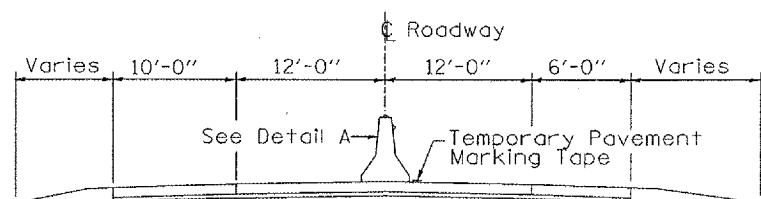
ROUTES	SECTION	COUNTY	TOTAL SHEETS	SHEET NO.
FAI 55 & FAP 673	D-3 BRIDGE PAINTING 2005-2	LIVINGSTON	17	5
ILLINOIS				



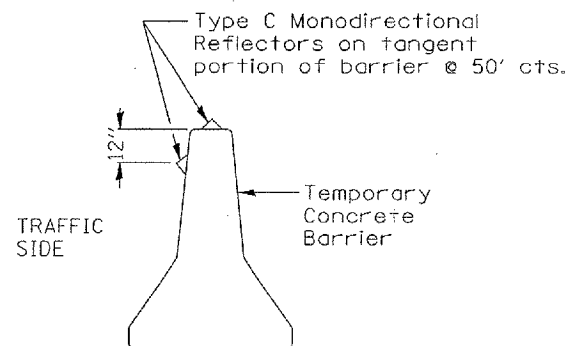
LENGEND

- Work Zone
- Type II barricade, drum or vertical barricade with steady burn monodirectional light
- Temporary concrete barrier
- Impact attenuator

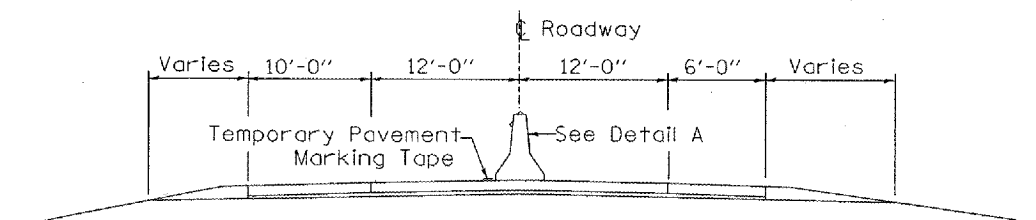
**PLAN VIEW
PASSING LANE CLOSED**



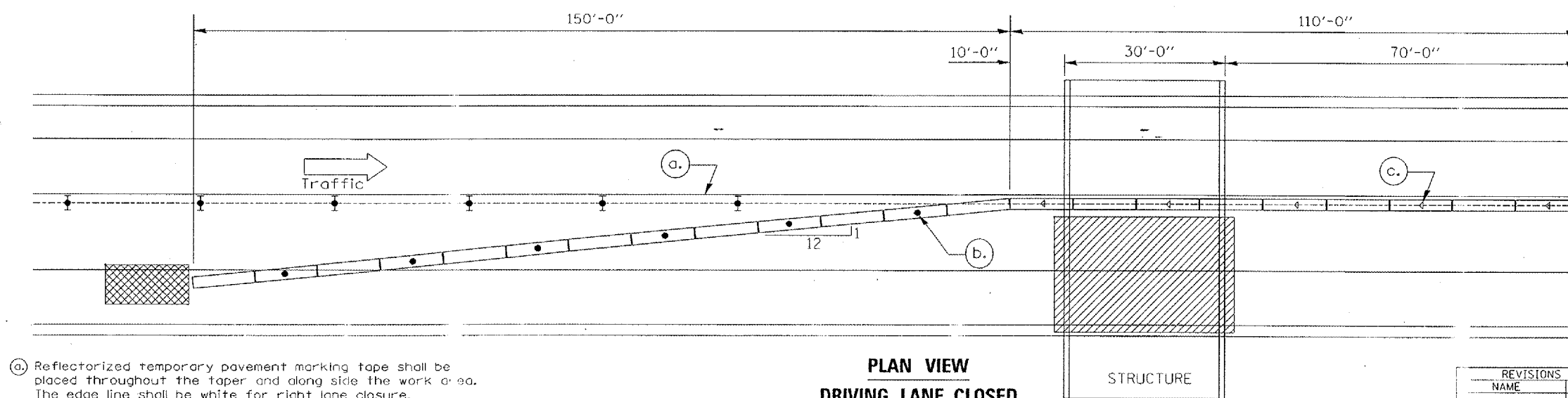
**ROADWAY SECTION
DRIVING LANE CLOSED**



DETAIL A



**ROADWAY SECTION
PASSING LANE CLOSED**



**PLAN VIEW
DRIVING LANE CLOSED**

- (a) Reflectorized temporary pavement marking tape shall be placed throughout the taper and along side the work area. The edge line shall be white for right lane closure.
- (b) Vertical panels at 25' centers with steady burning
- (c) Type "C" monodirectional reflector

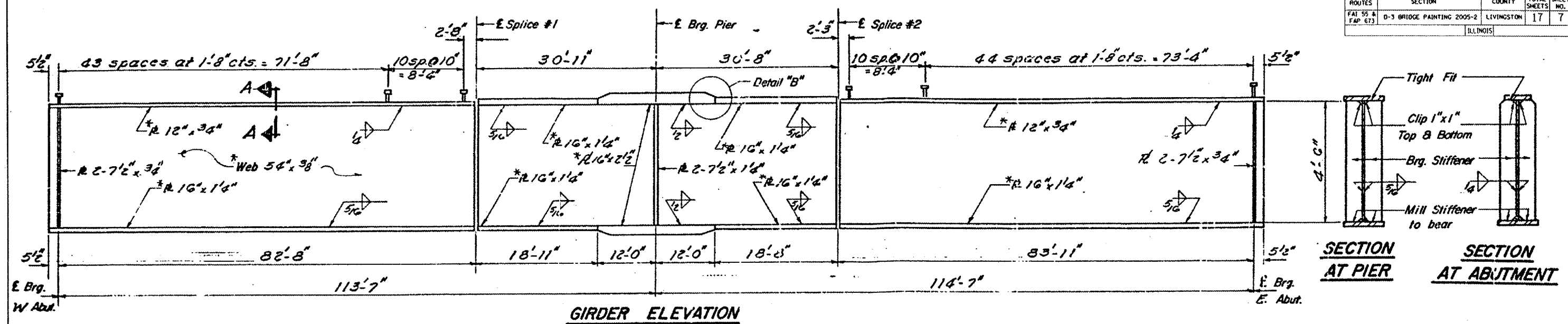
REVISIONS	
NAME	DATE

ILLINOIS DEPARTMENT OF TRANSPORTATION

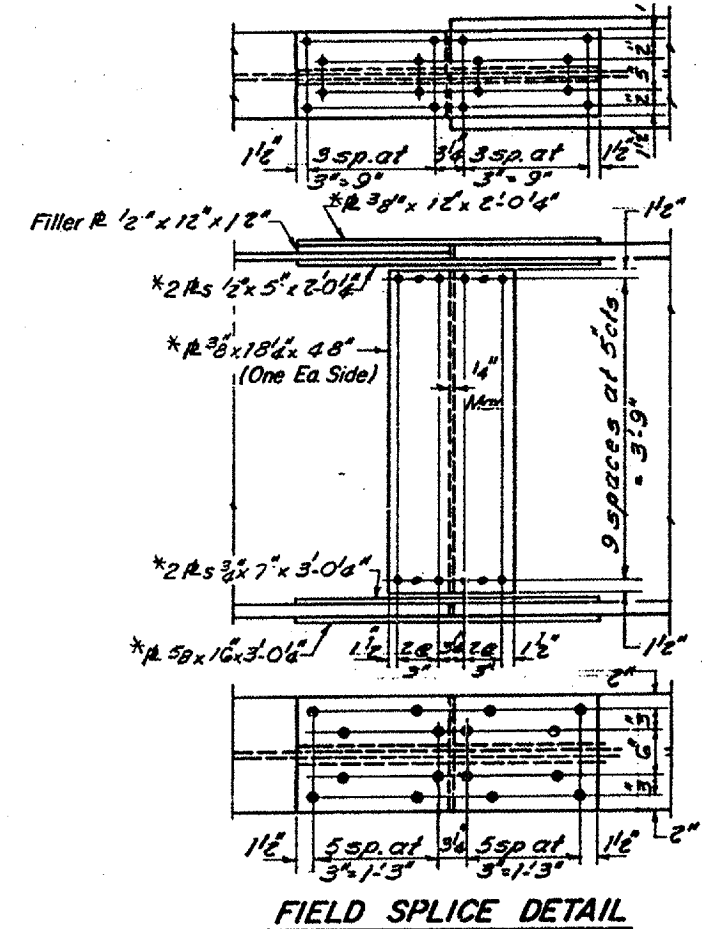
**TRAFFIC CONTROL
DETAILS**

Work this sheet with Traffic Control Standards 701402

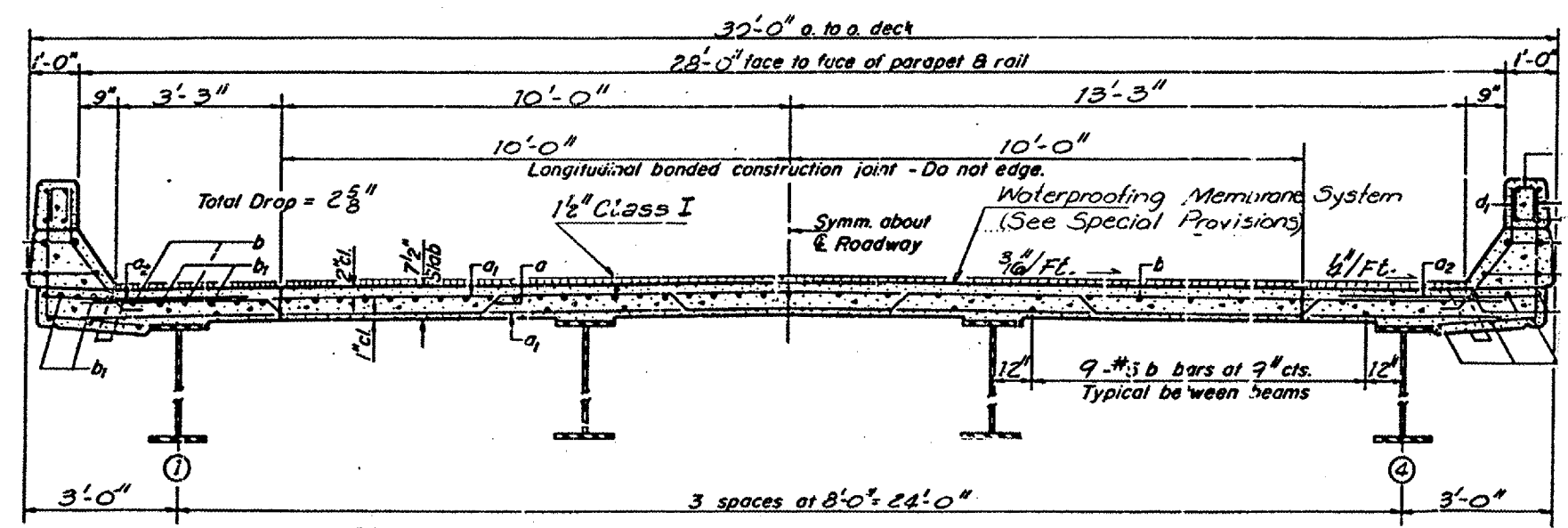
ROUTES	SECTION	COUNTY	TOTAL SHEETS	SHEET NO.
FAI 55 & FAP 673	D-3 BRIDGE PAINTING 2005-2	LIVINGSTON	17	7
ILLINOIS				



GIRDER ELEVATION



FIELD SPLICE DETAIL



CROSS SECTION

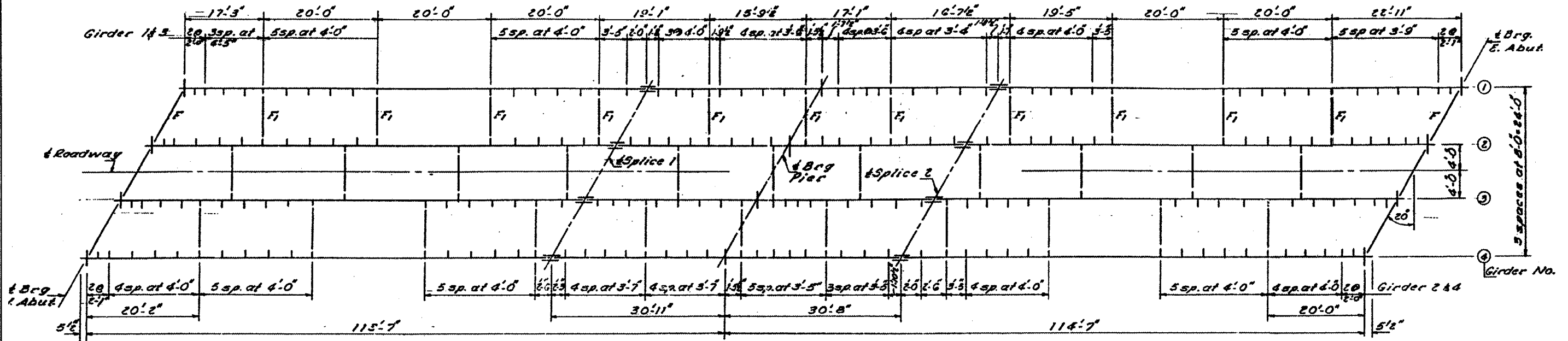
REVISIONS	
NAME	DATE

ILLINOIS DEPARTMENT OF TRANSPORTATION
EXISTING STRUCTURE
LOCATION #1
S.N. 053-0135

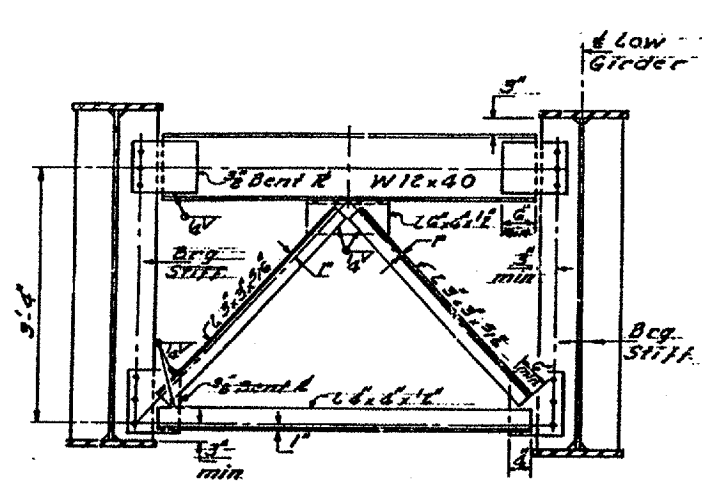
FOR INFORMATION ONLY

Date: 03/23/05
 c:\projects\bridgepaint\05\bp2005-2\details.dgn

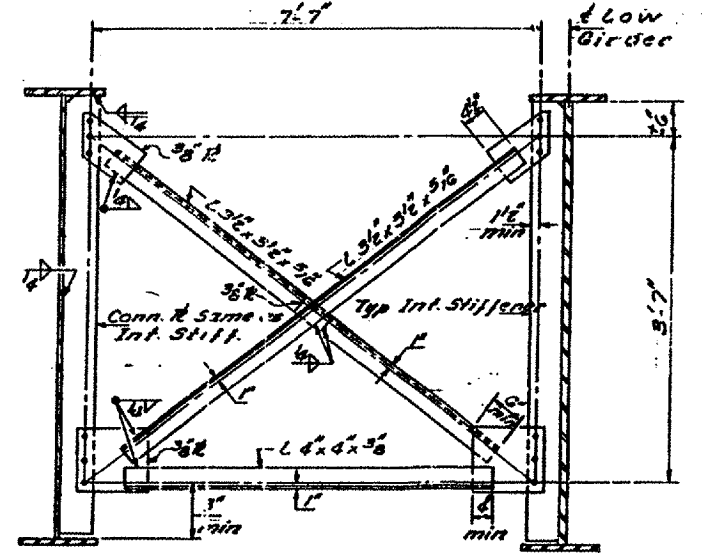
ROUTES	SECTION	COUNTY	TOTAL SHEETS	SHEET NO.
FAI 55 & FAP 673	D-3 BRIDGE PAINTING 2005-2	LIVINGSTON	17	8
ILLINOIS				



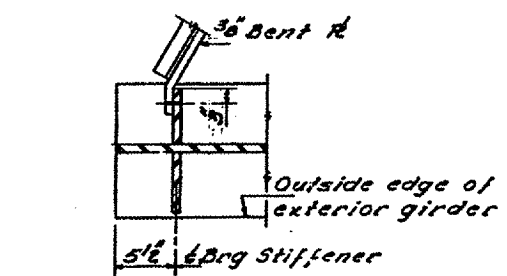
PLAN



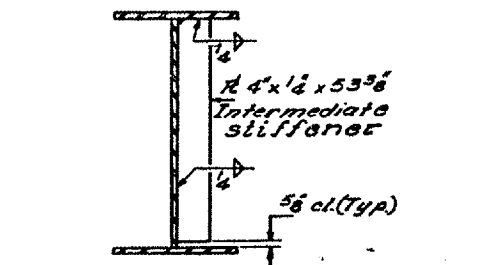
TYR END CROSS FRAME F
(No. Req'd 6)



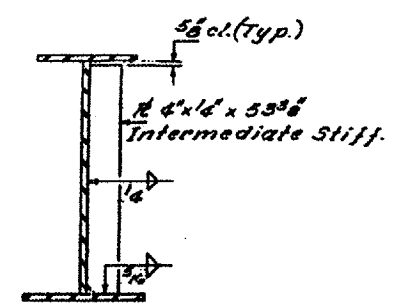
TYR INTERIOR CROSS FRAME F1
(No. Req'd 33)



**CROSS FRAME CONNECTION
DETAILS AT ABUTMENTS**



**INTERMEDIATE STIFFENER
DETAIL BETWEEN SPLICE
AND ABUTMENT**



**INTERMEDIATE STIFFENER
DETAIL BETWEEN SPLICES**

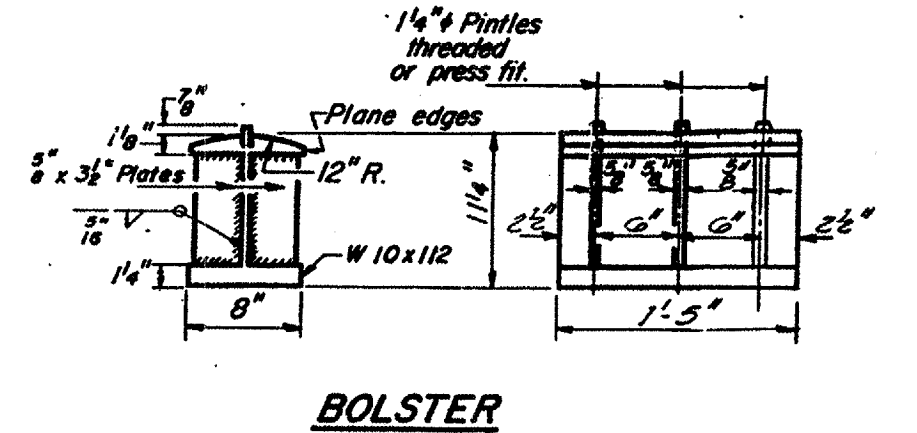
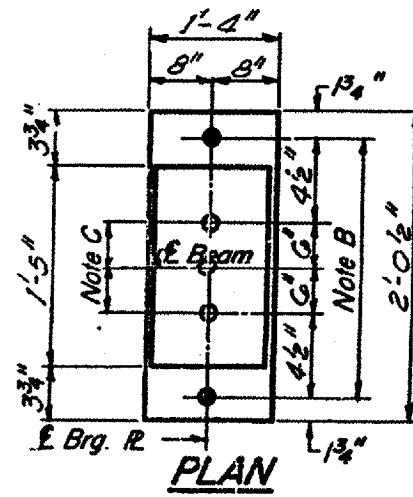
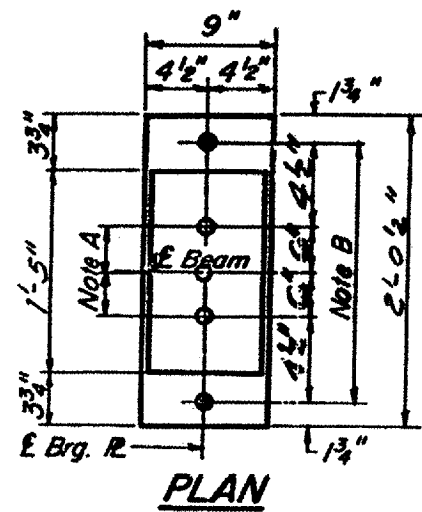
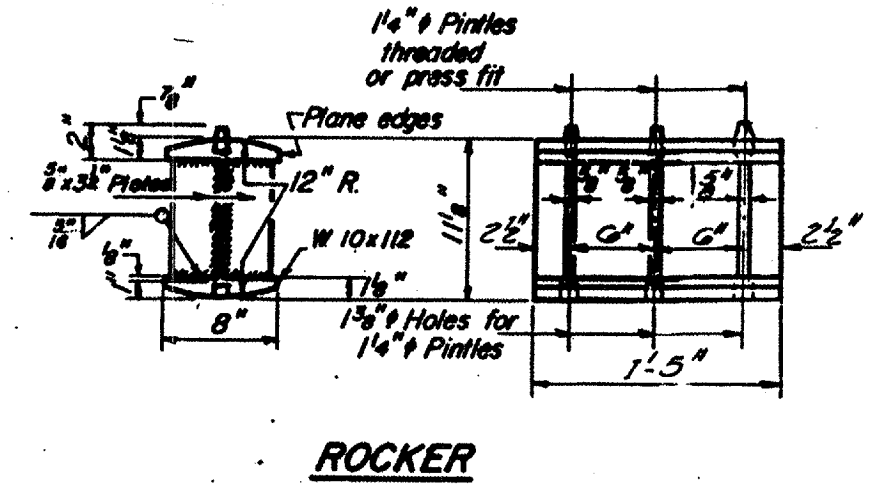
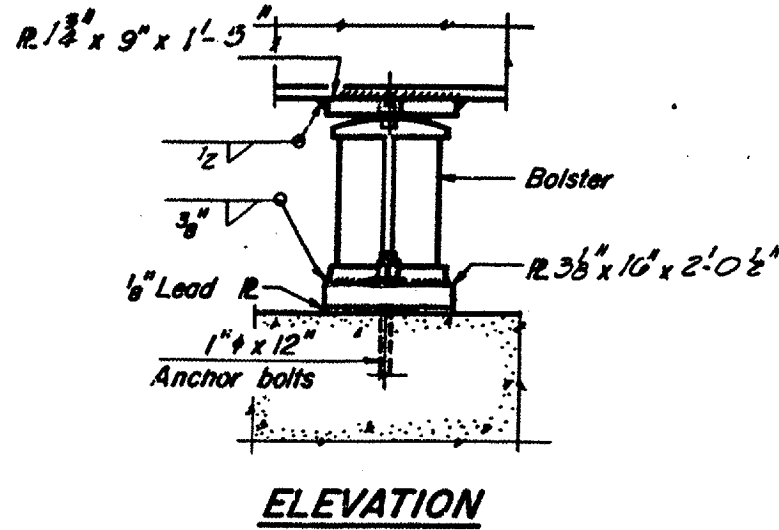
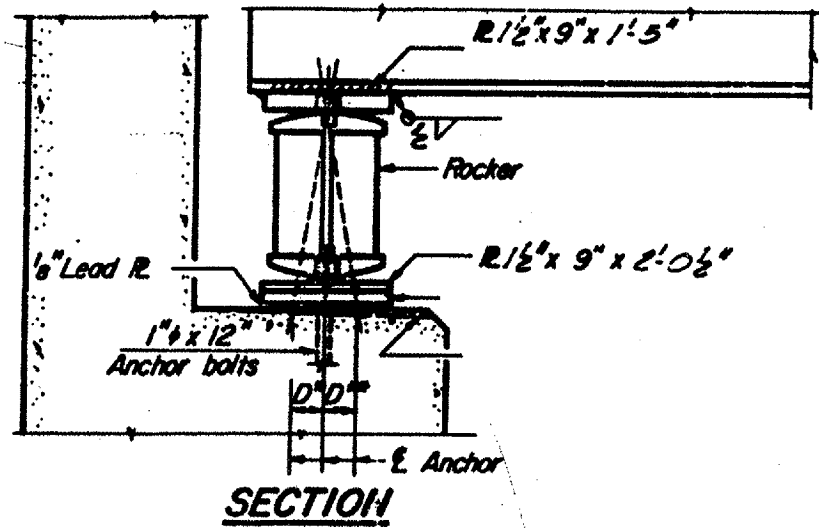
REVISIONS	
NAME	DATE

ILLINOIS DEPARTMENT OF TRANSPORTATION
**EXISTING STRUCTURE
LOCATION #1
S.N. 053-0135**

FOR INFORMATION ONLY

Date: 03/23/05
C:\projects\bridgepoint05\bp2005-2\details.dgn

ROUTES	SECTION	COUNTY	TOTAL SHEETS	SHEET NO.
FAL 55 & FAP 673	D-3 BRIDGE PAINTING 2005-2	LIVINGSTON	17	9
ILLINOIS				



AT ABUTMENT
No. req'd 8

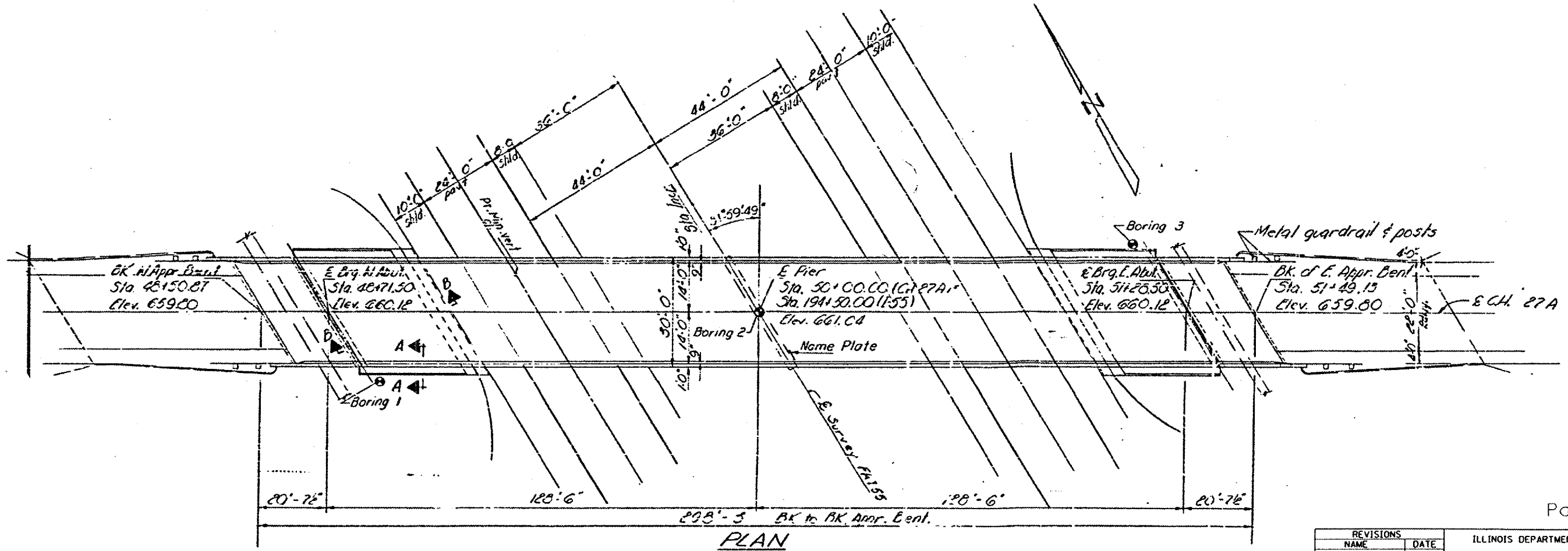
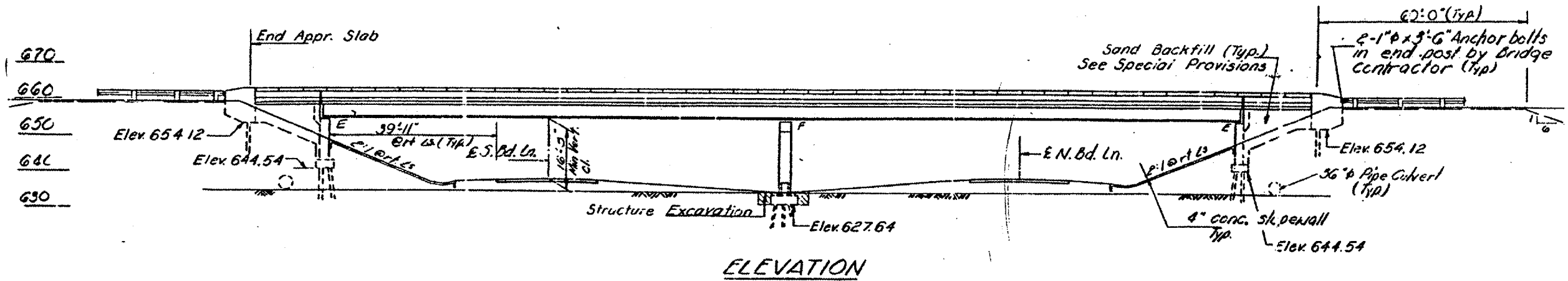
AT PIER
No. Req'd. 4

REVISIONS	
NAME	DATE

ILLINOIS DEPARTMENT OF TRANSPORTATION
EXISTING STRUCTURE
LOCATION #1
S.N. 053-0135

FOR INFORMATION ONLY

ROUTES	SECTION	COUNTY	TOTAL SHEETS	SHEET NO.
FAI 55 & FAP 673	D-3 BRIDGE PAINTING 2005-2	LIVINGSTON	17	10
ILLINOIS				



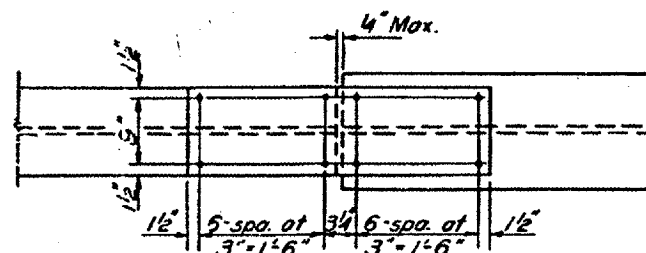
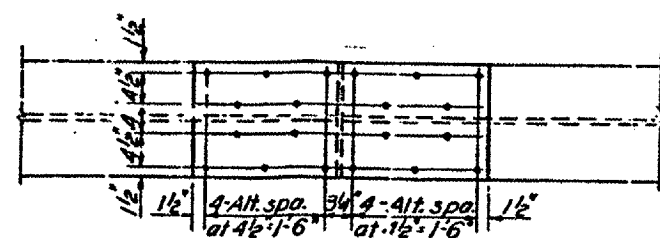
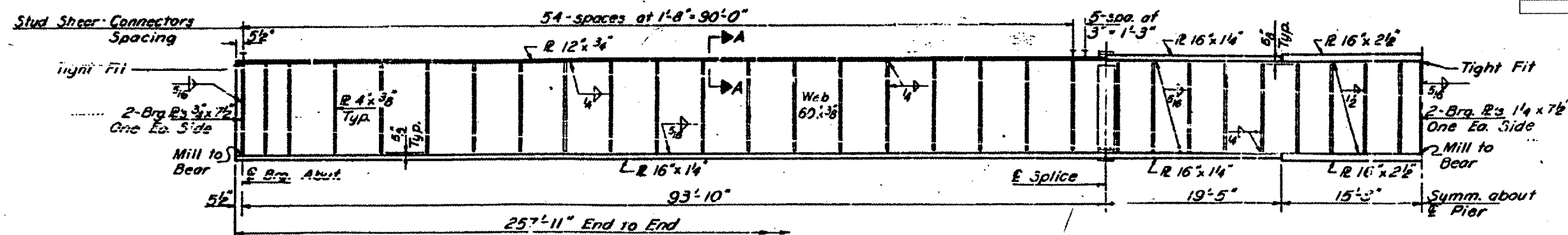
REVISIONS	
NAME	DATE

ILLINOIS DEPARTMENT OF TRANSPORTATION
**EXISTING STRUCTURE
 LOCATION #2
 S.N. 053-0130**

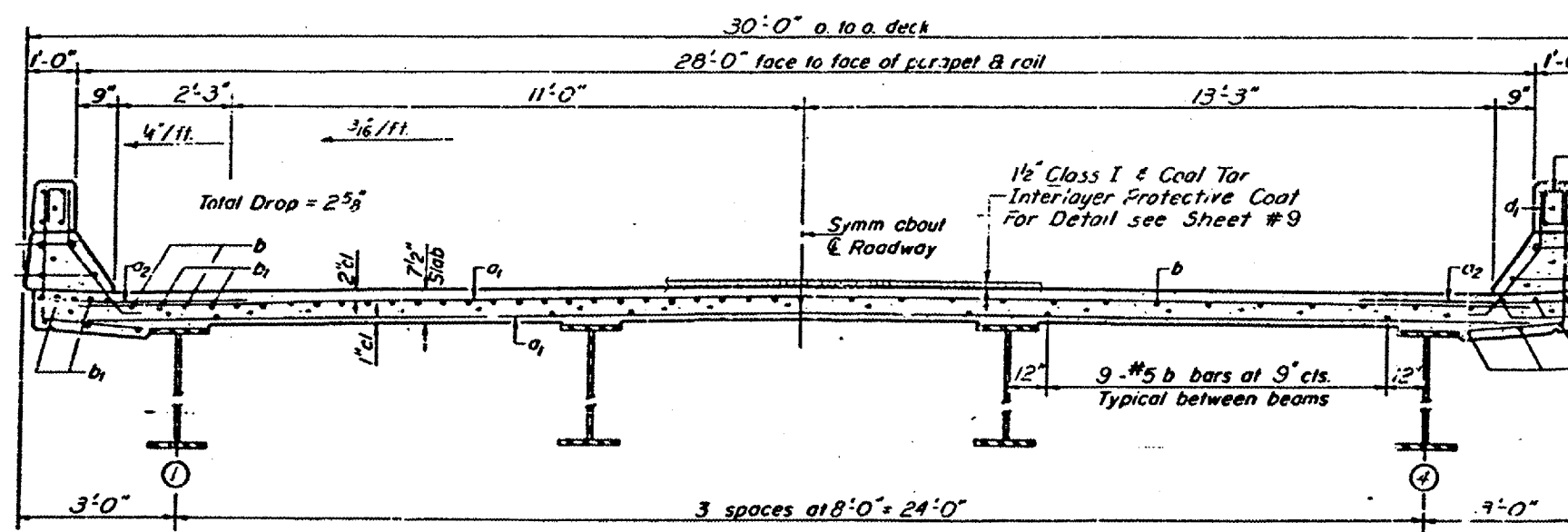
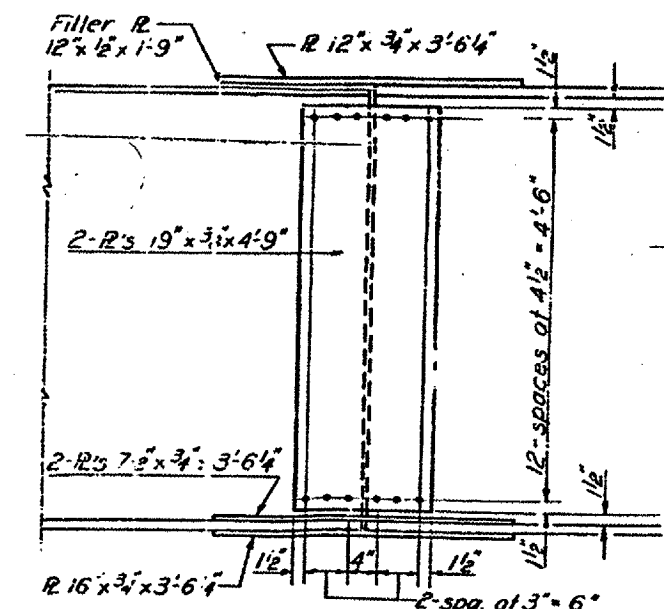
FOR INFORMATION ONLY

Date: 03/23/05
 c:/projects/bridgepoint05/rb2005-2/details.dgn

ROUTES	SECTION	COUNTY	TOTAL SHEETS	SHEET NO.
FAI 55 & FAP 673	D-3 BRIDGE PAINTING 2005-2	LIVINGSTON	17	11
ILLINOIS				



SPLICE 1 & 2



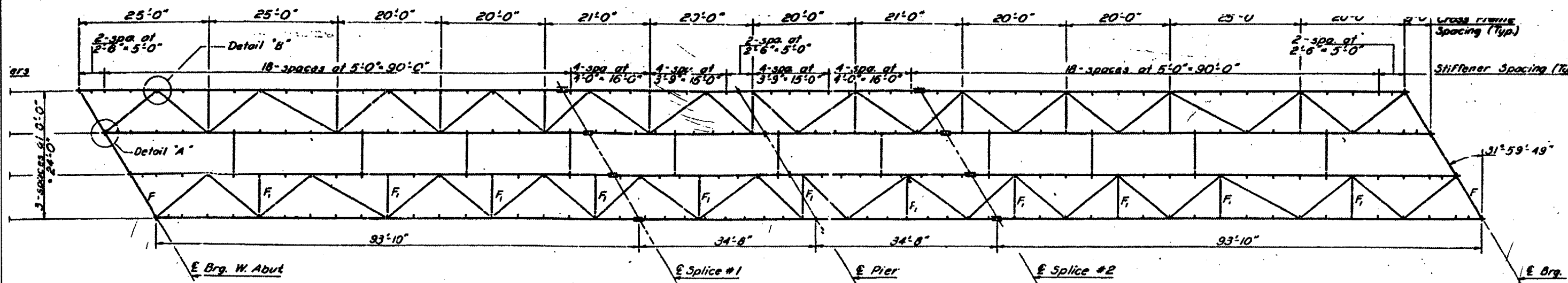
REVISIONS	
NAME	DATE

ILLINOIS DEPARTMENT OF TRANSPORTATION
EXISTING STRUCTURE
LOCATION #2
S.N. 053-0130

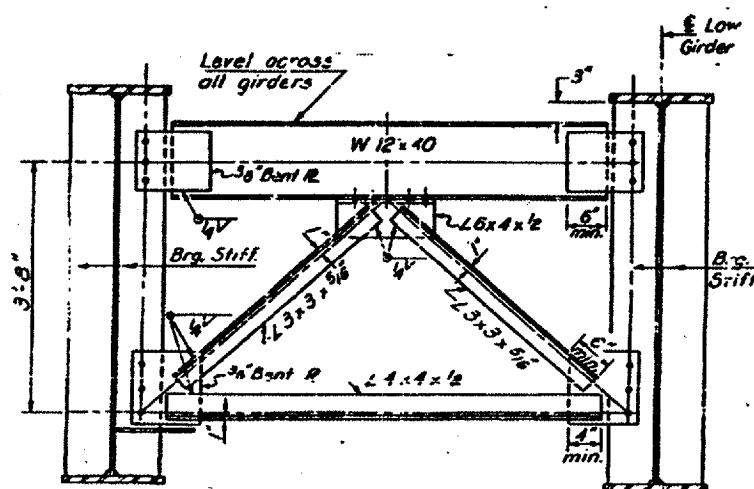
FOR INFORMATION ONLY

Date: 03/23/05
 c:\projects\brldgepaint\05\bp005-2\details.dgn

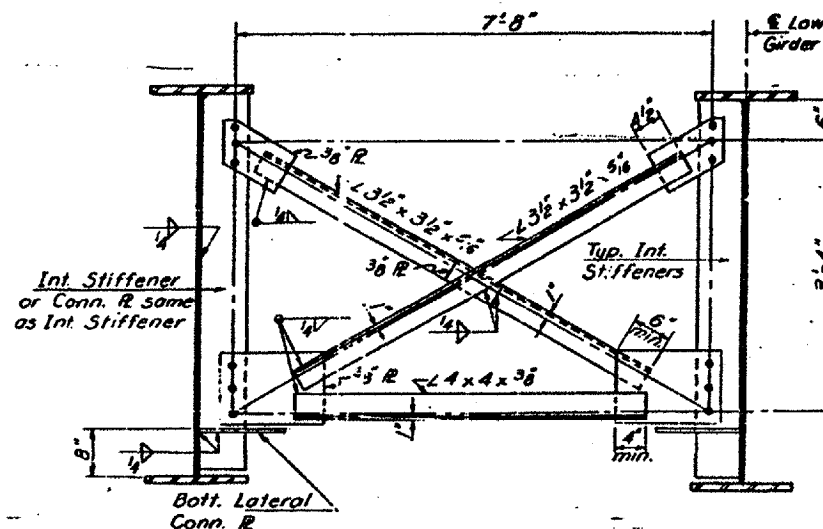
ROUTES	SECTION	COUNTY	TOTAL SHEETS	SHEET NO.
FAI 55 & FAP 673	D-3 BRIDGE PAINTING 2005-2	LIVINGSTON	17	12
ILLINOIS				



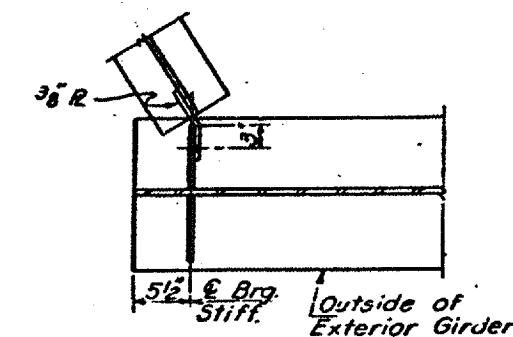
PLAN



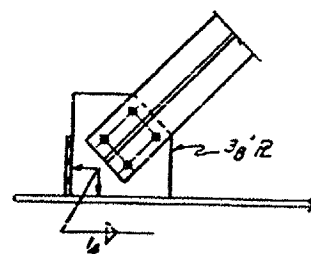
DETAIL CROSS FRAME F
6 Req'd



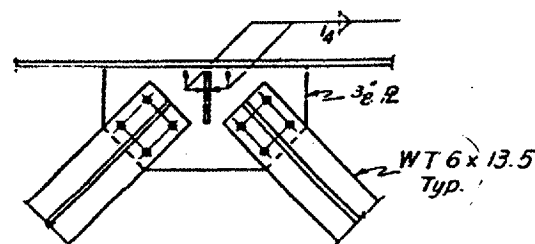
DETAIL CROSS FRAME F1
33 Req'd



CROSS FRAME CONNECTION
DETAIL AT ABUTMENT



DETAIL A



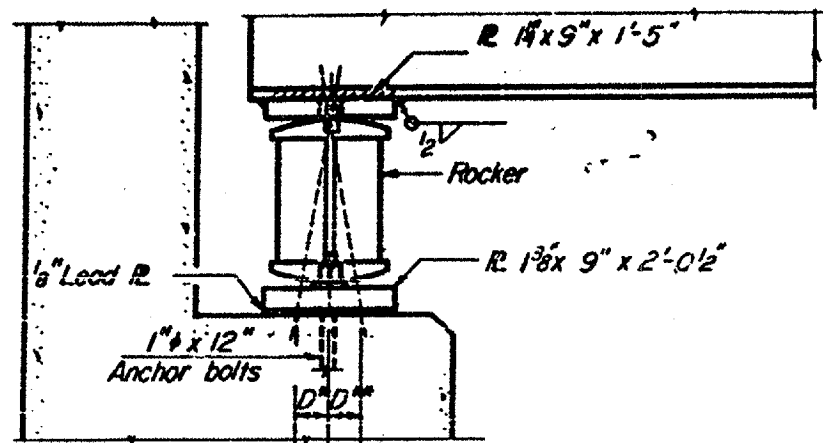
DETAIL B

FOR INFORMATION ONLY

REVISIONS	
NAME	DATE

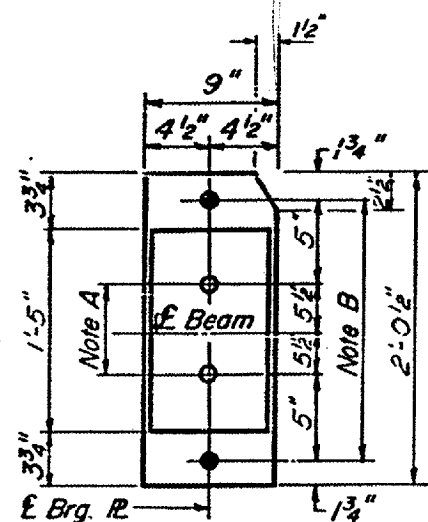
ILLINOIS DEPARTMENT OF TRANSPORTATION
**EXISTING STRUCTURE
 LOCATION #2
 S.N. 053-0130**

ROUTES	SECTION	COUNTY	TOTAL SHEETS	SHEET NO.
FAI 55 & FAP 673	D-3 BRIDGE PAINTING 2005-2	LIVINGSTON	17	13
ILLINOIS				



SECTION

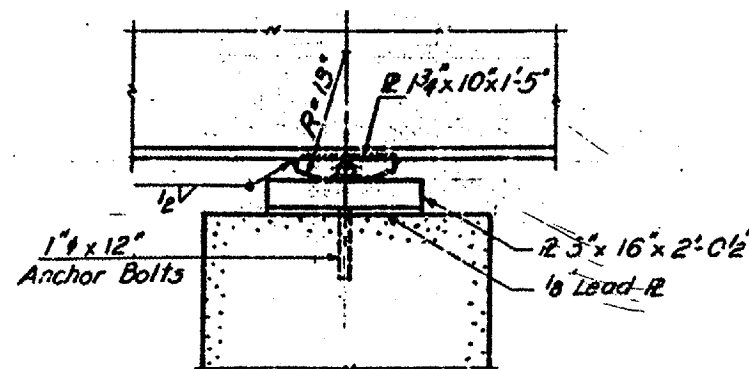
Anchor bolts for steel erection at various temperatures



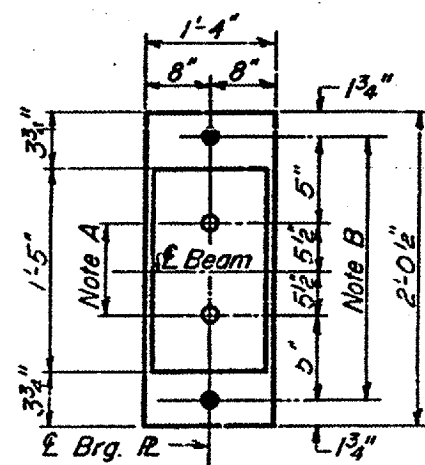
PLAN

AT ABUTMENT

NOTE A
 1 3/8" Holes - 1" deep in top R.
 for pintles. Thread or press fit
 pintles into bottom R.



SECTION

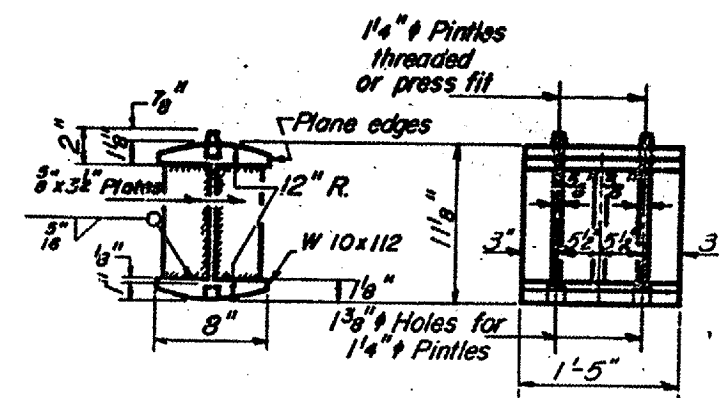


PLAN

AT PIER

NOTE B
 1 1/2" Holes for 1" anchor bolts.
 16 x 2 1/2" x 2 1/2" R. Washers
 under nut.

BEARING ASSEMBLY DETAILS



ROCKER

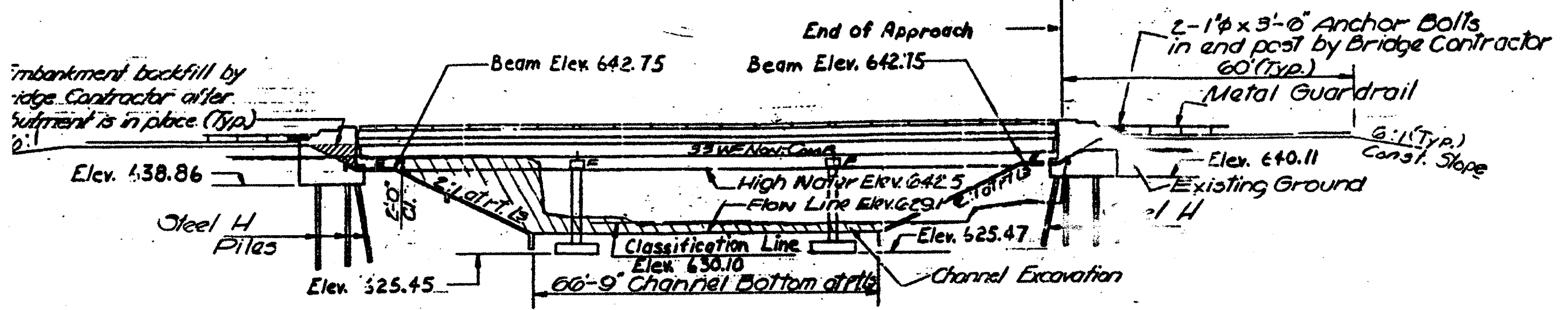
REVISIONS	
NAME	DATE

ILLINOIS DEPARTMENT OF TRANSPORTATION
EXISTING STRUCTURE
LOCATION #2
S.N. 053-0130

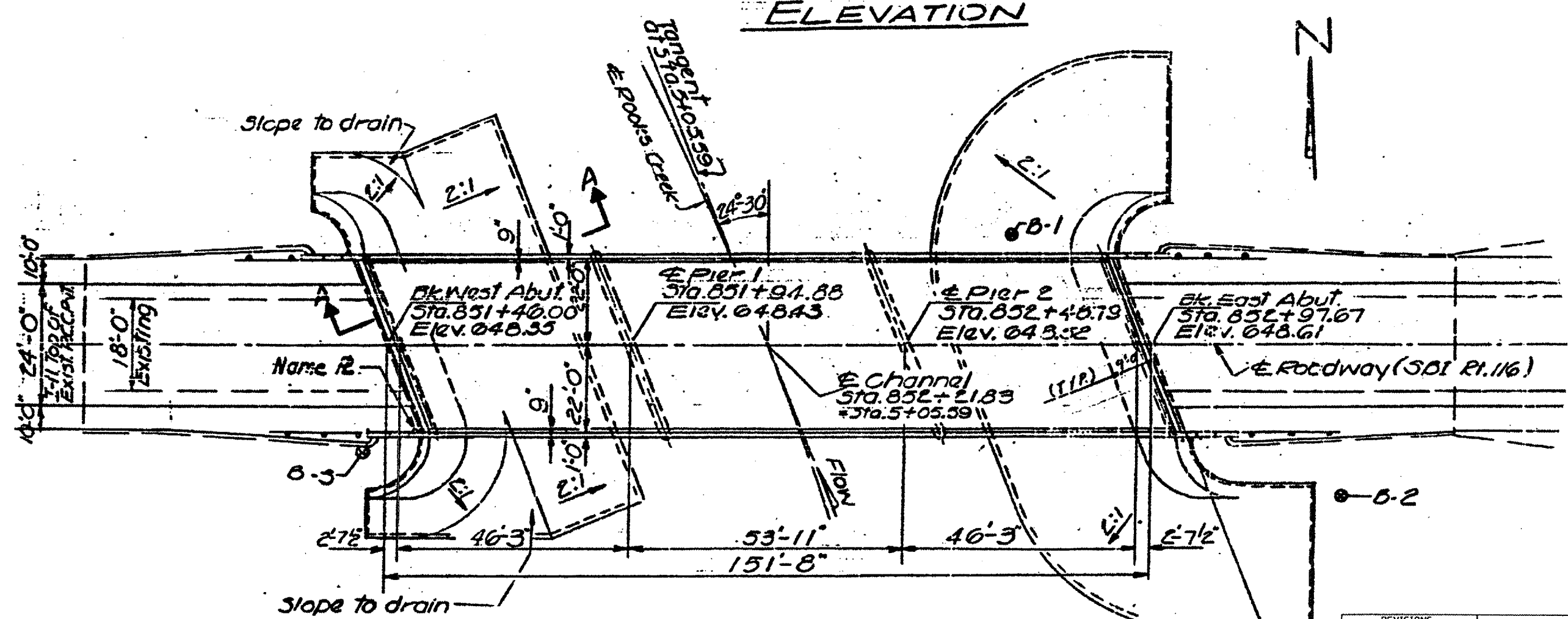
FOR INFORMATION ONLY

Date: 03/23/05
 c:/projects/bridgepoint05/bp2005-2/details.dgn

ROUTES	SECTION	COUNTY	TOTAL SHEETS	SHEET NO.
F&P 55 & F&P 673	D-3 BRIDGE PAINTING 2005-2	LIVINGSTON	17	14
ILLINOIS				



ELEVATION



PLAN

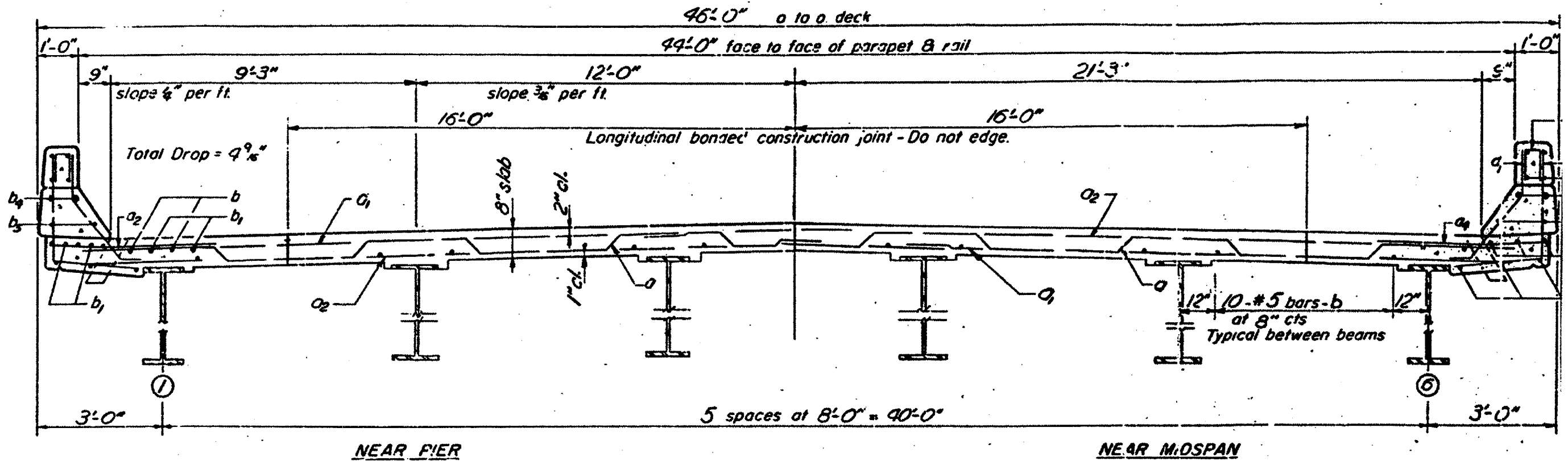
FOR INFORMATION ONLY

REVISIONS	
NAME	DATE

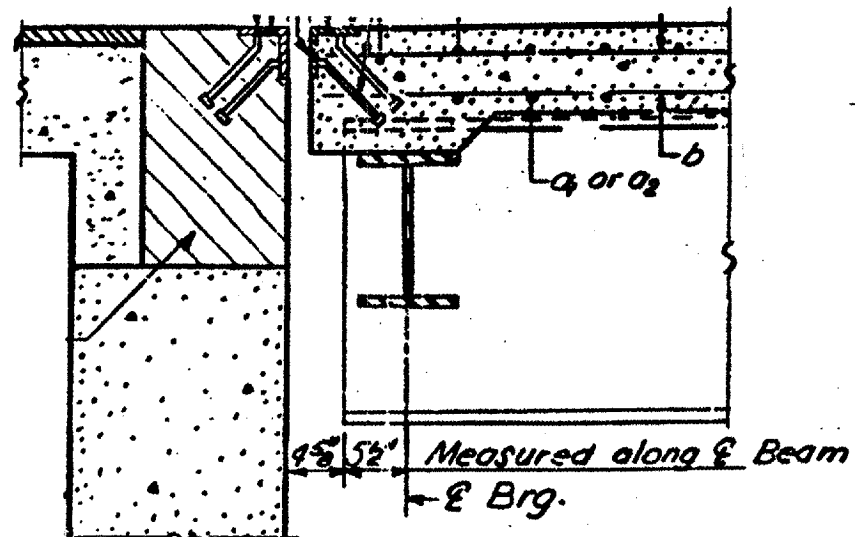
ILLINOIS DEPARTMENT OF TRANSPORTATION
**EXISTING STRUCTURE
 LOCATION #3
 S.N. 053-0065**

Date: 03/23/05
 c:\projects\bridgepoint05\bp2005-2\details.dgn

ROUTES	SECTION	COUNTY	TOTAL SHEETS	SHEET NO.
FAI 55 & FAP 673	D-3 BRIDGE PAINTING 2005-2	LIVINGSTON	17	15
ILLINOIS				



CROSS SECTION
LOOKING EAST



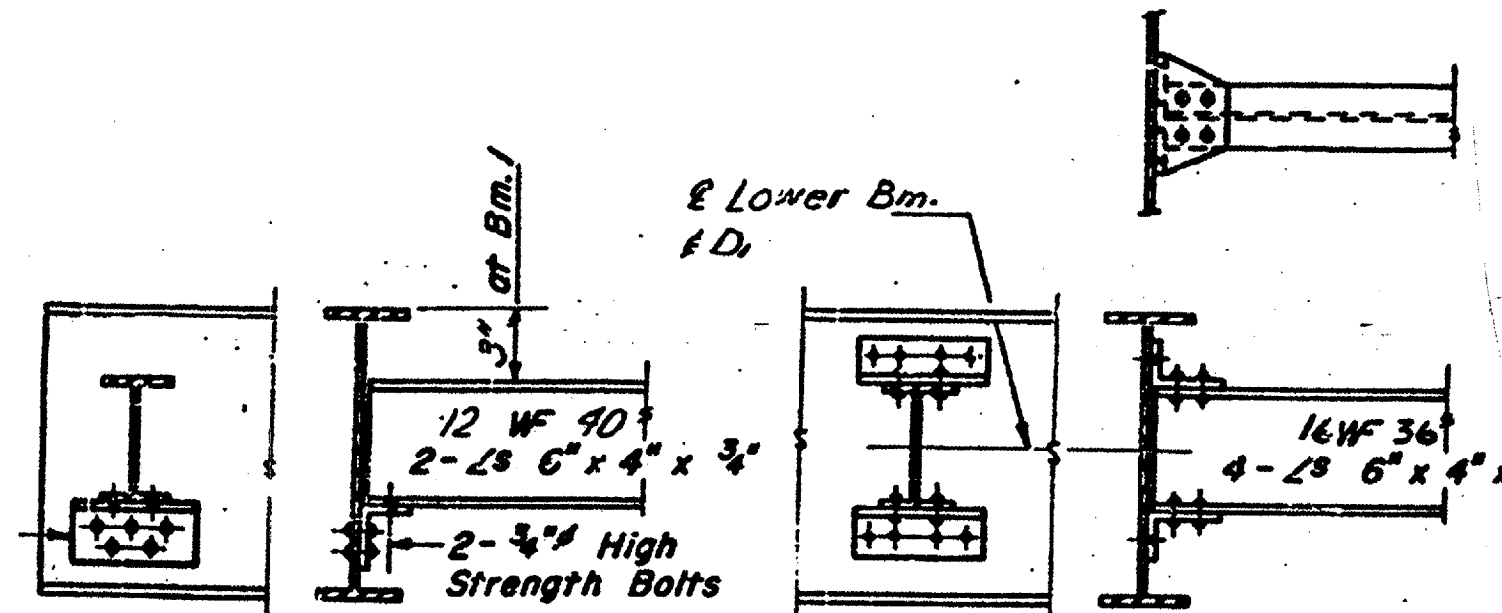
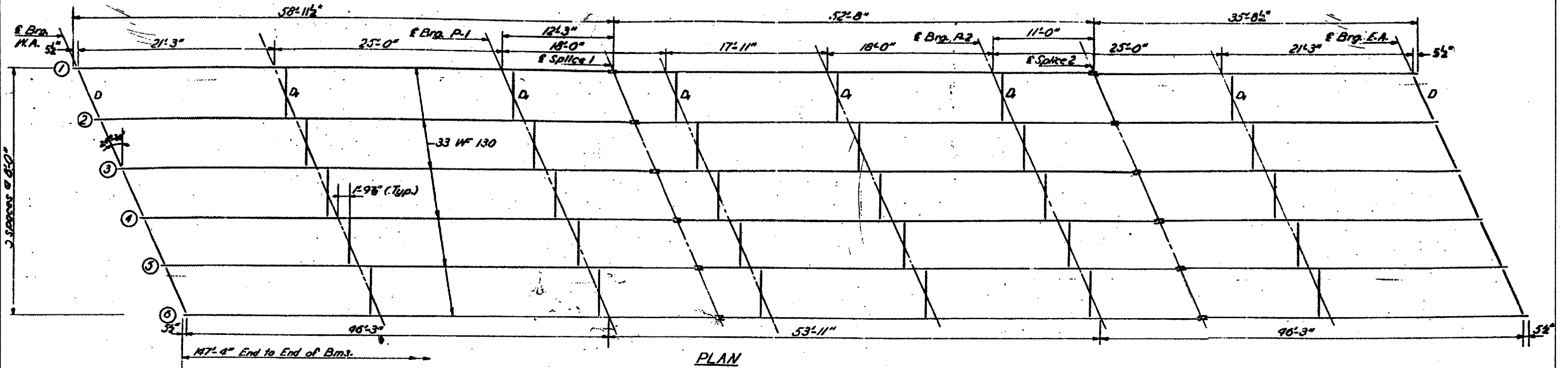
REVISIONS	
NAME	DATE

ILLINOIS DEPARTMENT OF TRANSPORTATION
EXISTING STRUCTURE
LOCATION #3
S.N. 053-0065

FOR INFORMATION ONLY

Date: 03/23/05
c:\projects\bridgepaint05\bp2005-2\details.dgn

ROUTES	SECTION	COUNTY	TOTAL SHEETS	SHEET NO.
FAI 55 & FAP 673	D-3 BRIDGE PAINTING 2005-2	LIVINGSTON	17	16
ILLINOIS				



DIAPHRAGM D
A) Required

DIAPHRAGM D1
30 Required

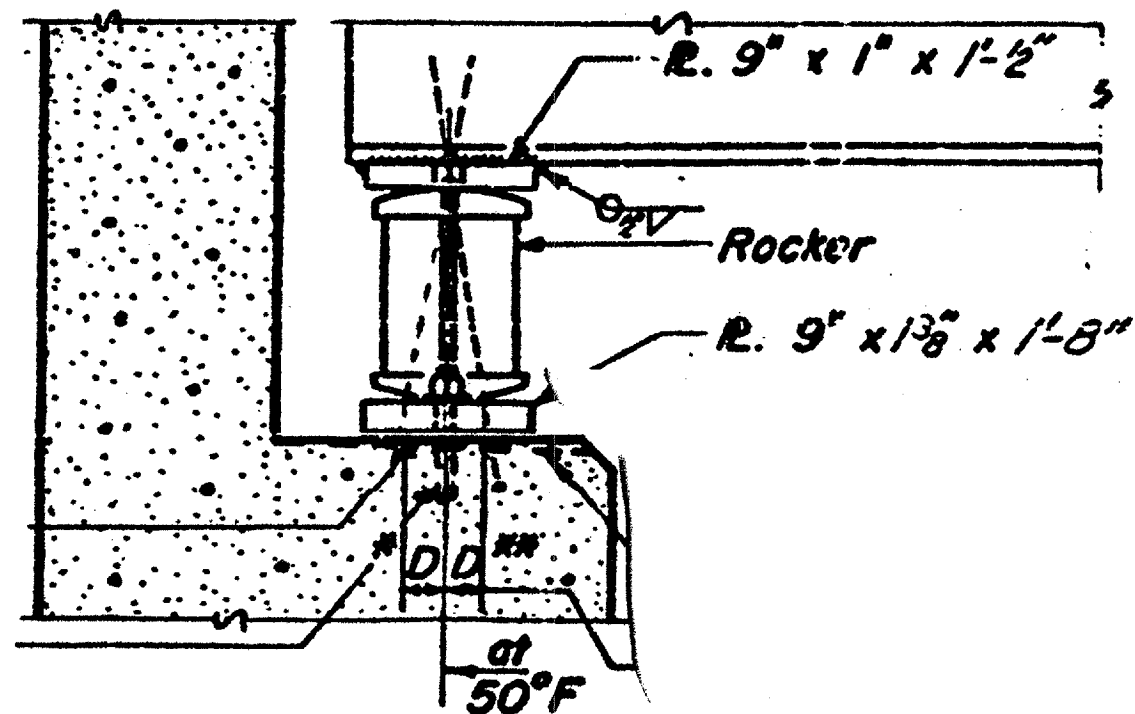
FOR INFORMATION ONLY

REVISIONS	
NAME	DATE

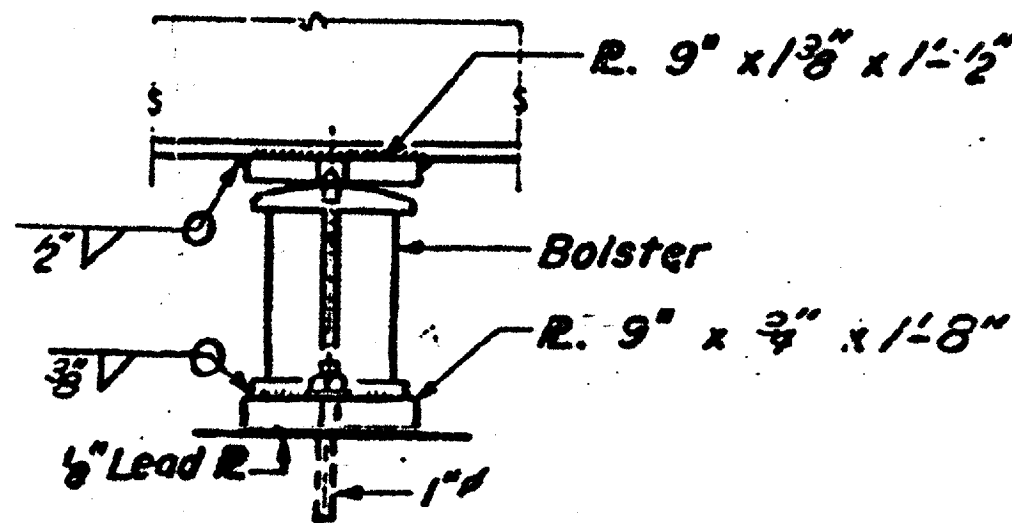
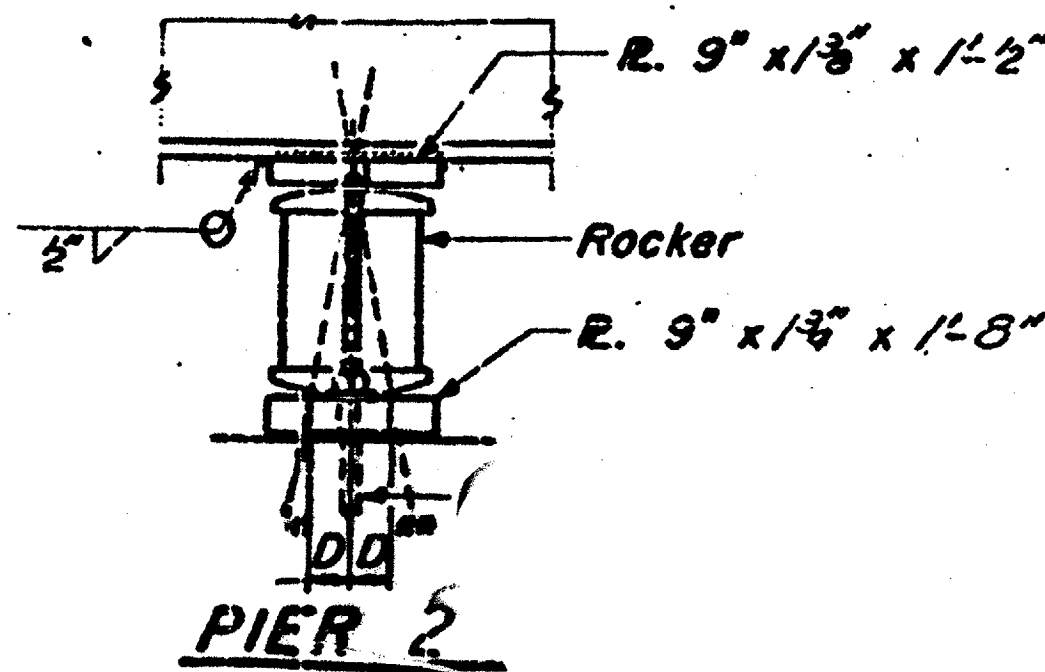
ILLINOIS DEPARTMENT OF TRANSPORTATION
EXISTING STRUCTURE
LOCATION #3
S.N. 053-0065

Date: 03/23/05
c:/projects/bridgepaint05/bp2005-2/details.dgn

ROUTES	SECTION	COUNTY	TOTAL SHEETS	NO.
F&P 55 & F&P 673	D-3 BRIDGE PAINTING 2005-2	LIVINGSTON	17	17
ILLINOIS				



SECTION AT ABUTMENT



PIER 1

FOR INFORMATION ONLY

REVISIONS	
NAME	DATE

ILLINOIS DEPARTMENT OF TRANSPORTATION
EXISTING STRUCTURE
LOCATION #3
S.N. 053-0065

Date: 03/23/05
 c:/projects/bridgepaint05/bp2005-2/details.dgn