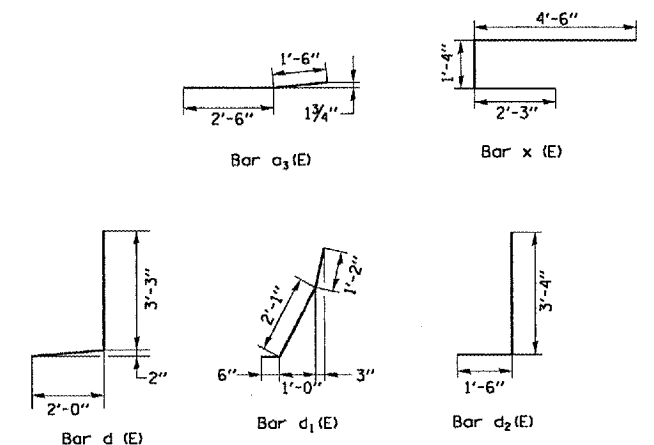
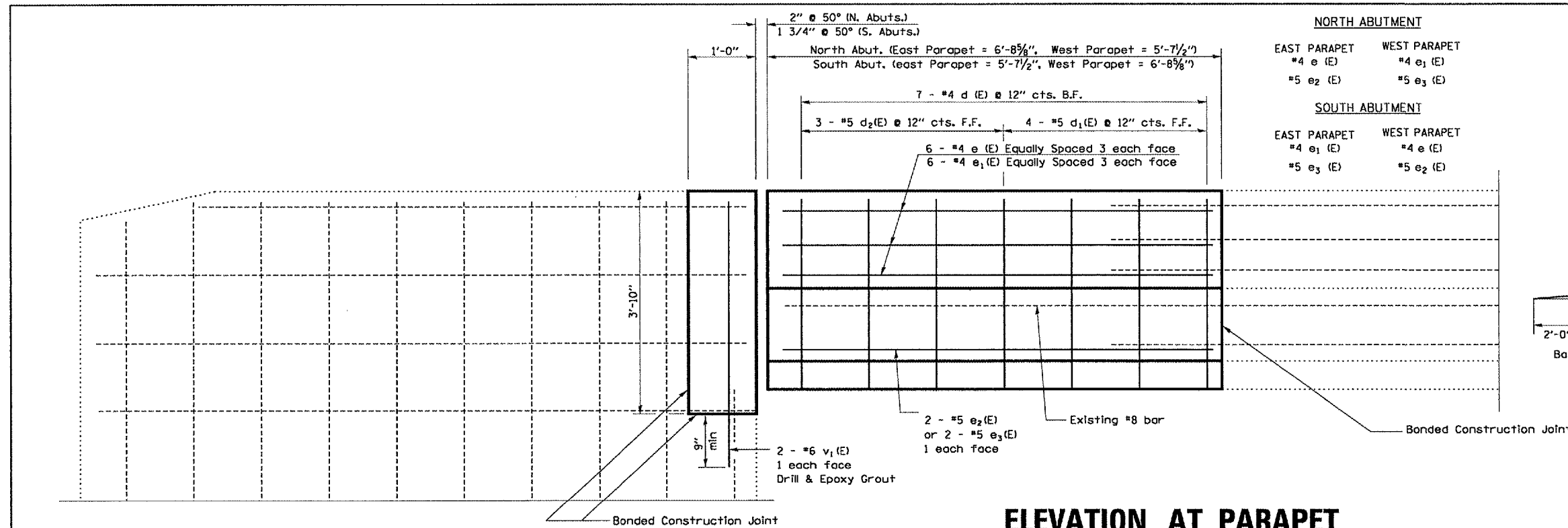


F.A.I. RTE.	SECTION	COUNTY	TOTAL SHEETS	SHEET NO.
412	(50-GVB)I-1	LASALLE	25	12
FED. ROAD DIST. NO.	ILLINOIS	STATE AID PROJECT		



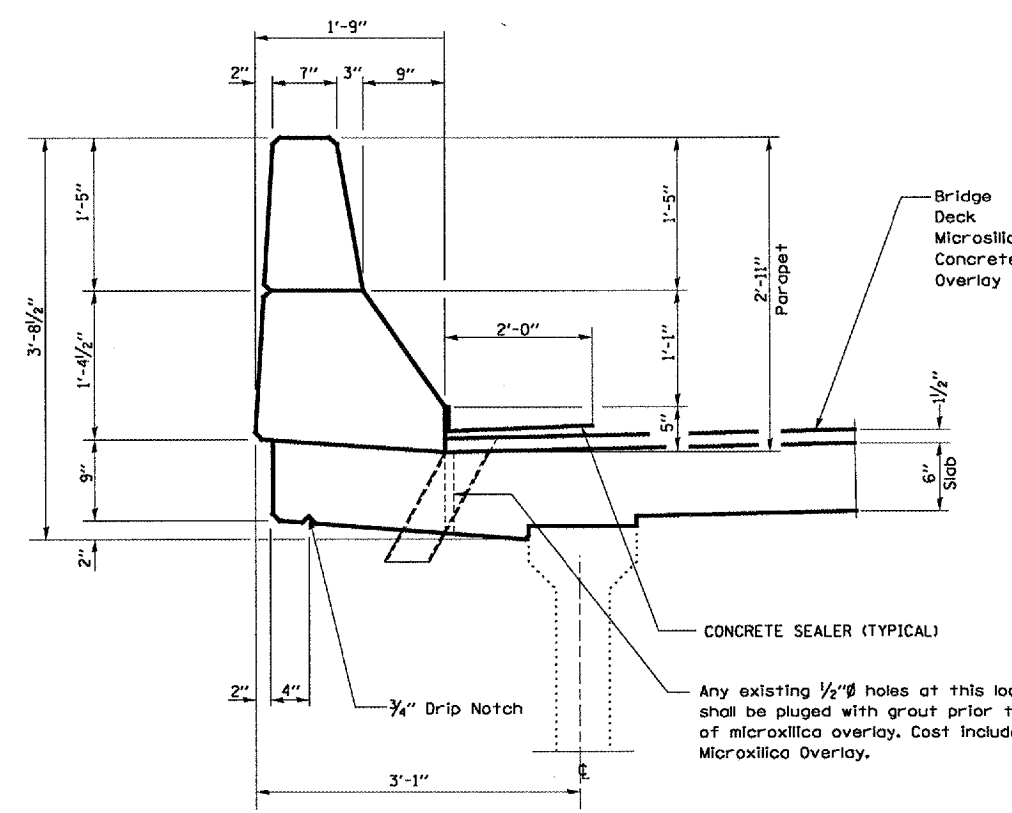
**SUPERSTRUCTURE  
 BILL OF MATERIAL  
 FOR "ONE" ABUTMENT**

Bar	No.	Size	Length	Shape
a (E)	42	6	8'-2"	—
a <sub>1</sub> (E)	12	7	25'-2"	—
a <sub>2</sub> (E)	50	6	8'-6"	—
a <sub>3</sub> (E)	18	6	4'-0"	—
b (E)	96	5	5'-10"	—
d (E)	14	4	5'-3"	┘
d <sub>1</sub> (E)	8	5	3'-9"	┘
d <sub>2</sub> (E)	6	5	4'-10"	┘
e (E)	6	4	6'-4"	—
e <sub>1</sub> (E)	6	4	5'-4"	—
e <sub>2</sub> (E)	2	5	6'-4"	—
e <sub>3</sub> (E)	2	5	5'-4"	—
h (E)	8	5	24'-4"	—
x (E)	65	6	8'-1"	┘
v <sub>1</sub> (E)	4	6	4'-5"	—
Reinforcement Bars, Epoxy Coated			Pound	3663
Concrete Superstructure			Cu. Yds.	15.9

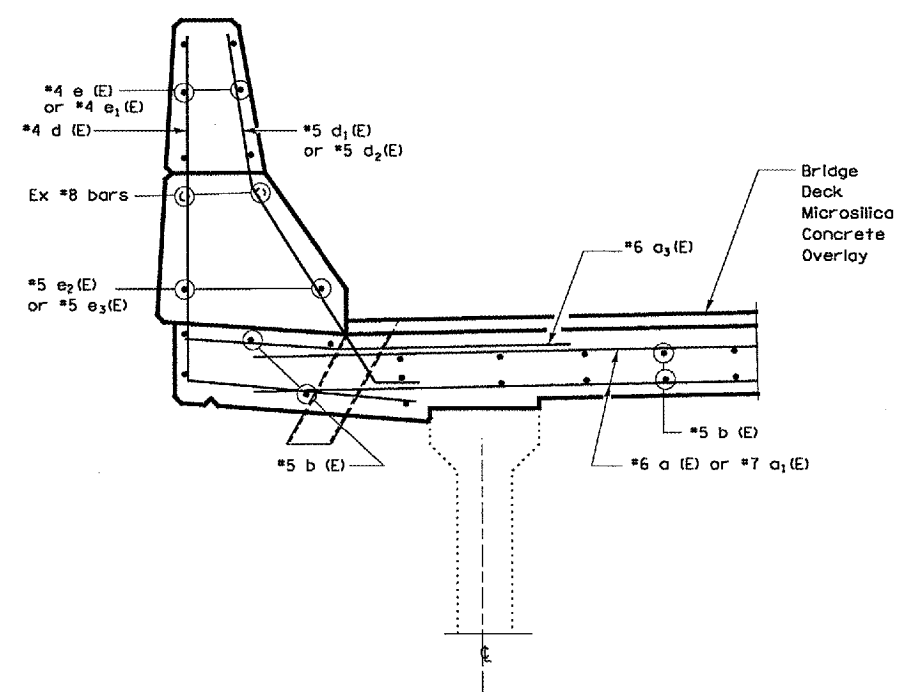
Minimum Bar Lap

#4	1'-8"
#5	2'-0"
#6	2'-7"
#7	3'-5"
#8	4'-6"

**ELEVATION AT PARAPET**



**SECTION AT PARAPET  
 DIMENSIONS**



**SECTION AT PARAPET  
 REINFORCEMENT**

REVISIONS

NAME	DATE

ILLINOIS DEPARTMENT OF TRANSPORTATION  
**CONSTRUCTION DETAILS**  
**SOUTH ABUTMENT - PARAPET**  
 S.N. 050-0167 (SB)  
 F.A.I. 412 OVER C. & N.W. RAILROAD  
 SECTION (50-6VB)I-1  
 STA. 1429 + 12.74

DATE: MARCH 06, 2005  
 DGN: CM05/CM327/DETAILS.DGN