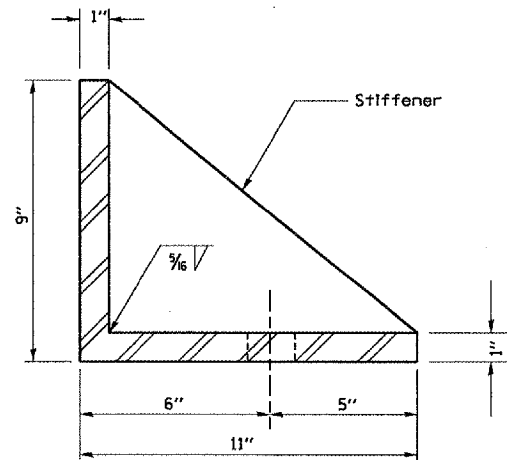
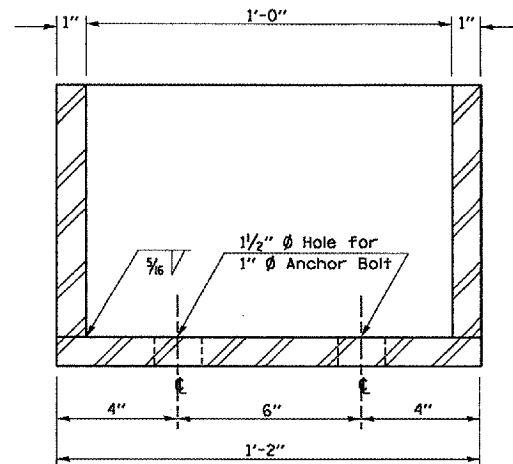


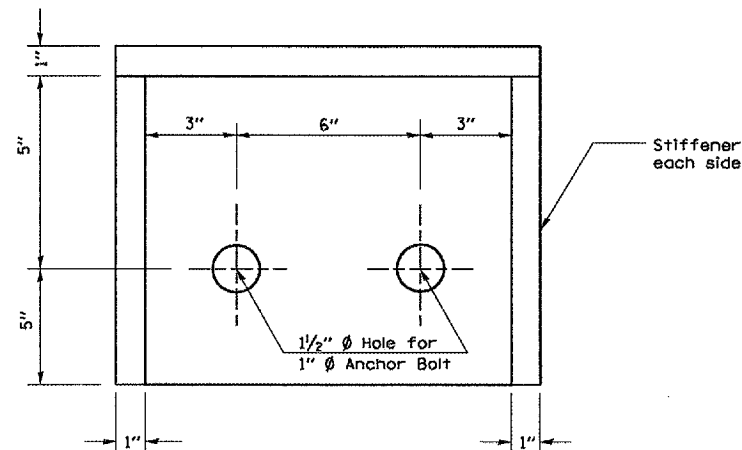
F.A.I. RTE.	SECTION	COUNTY	TOTAL SHEETS	SHEET NO.
412	150-6VB1-1	LASALLE	25	18
FED. ROAD DIST. NO.		ILLINOIS	NON-FED. AID PROJECT	



**SIDE VIEW**



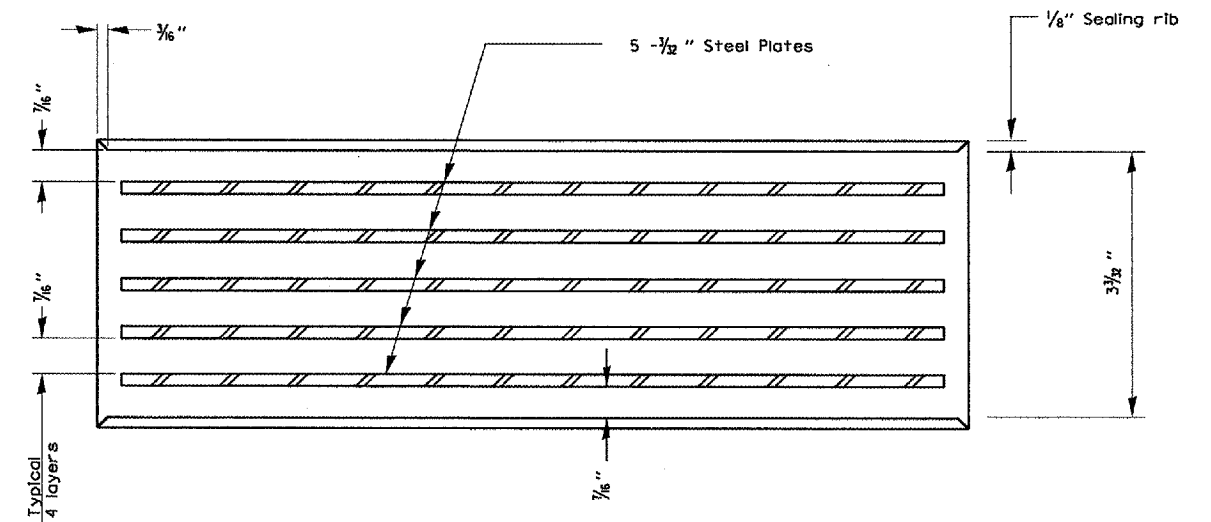
**FRONT VIEW**



**PLAN VIEW**

The cost of side retainers and anchor bolts is included with Elastomeric Bearing Assembly Type I.

**BRACKET DETAIL**  
**11" X 9" X 1" X 1'-2"**  
**SN 050-0167 - 24 REQUIRED**



**ELASTOMERIC BEARING PAD**

**3 3/32" X 8 3/4" X 1'-2"**  
**SN 050-0167 - 12 REQUIRED**

**BILL OF MATERIAL**

Item	Unit	Total
Elastomeric Bearing Assembly Type I	Each	24

REVISIONS	
NAME	DATE

ILLINOIS DEPARTMENT OF TRANSPORTATION  
**BEARING REPLACEMENT DETAILS**  
**S.N. 050-0167 (SB)**  
**F.A.I. 412 OVER C. & N.W. RAILROAD**  
**SECTION (50-6VB)I-1**  
**STA. 1429 + 12.74**

\* DATE - MARCH 06, 2005  
 \* DGN - CM05/CM327/DETAILS.DGN