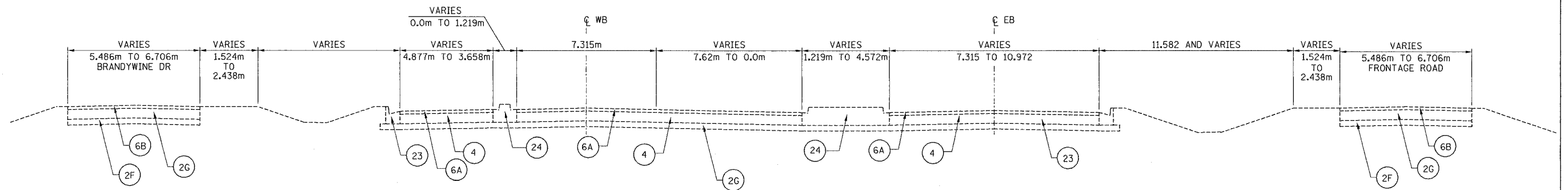


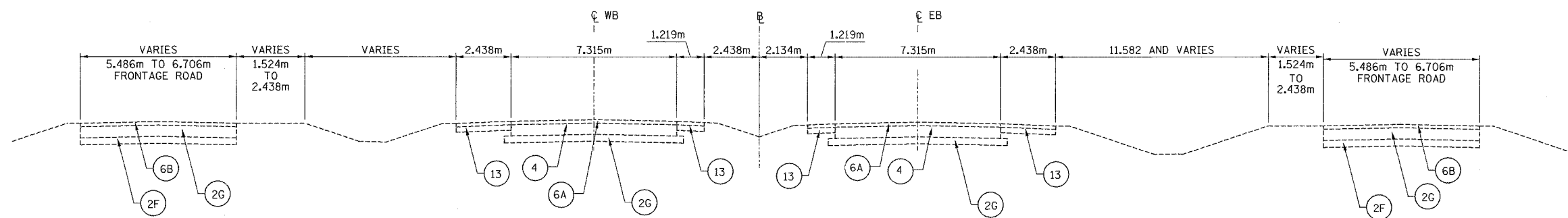
F.A.I. RTE.	SECTION	COUNTY	TOTAL SHEETS	SHEET NO.
74	72-6	PEORIA	1360	44
STA. 99+575.000		TO STA 101+020.102		
FED. ROAD DIST. NO.		ILLINOIS FED. AID PROJECT		



TYPICAL SECTION 4
WAR MEMORIAL DRIVE
STA. 39+450.000 TO STA. 39+662.000±

LEGEND:

- 2F EX SUB-BASE GRANULAR MATERIAL
- 2G EX AGGREGATE BASE COURSE
- 6A EX BITUMINOUS RESURFACING 75mm (SEE NOTE 2)
- 6B EX BITUMINOUS CONCRETE
- 4 EX PCC BASE COURSE
- 13 EX BITUMINOUS SHOULDERS
- 23 EX COMBINATION CONCRETE CURB AND GUTTER
- 24 EX CONCRETE MEDIAN



TYPICAL SECTION 5
WAR MEMORIAL DRIVE
STA. 39+662.000± TO STA. 40+480.824

NOTES:

1. EXISTING I-74 RAMP ENTRANCES AND EXISTS ARE NOT SHOWN.
2. PAVEMENT CORES INDICATE THE EXISTING BITUMINOUS RESURFACING VARIES FROM 107mm TO 127mm (EB) AND 56mm TO 76mm (WB)



ILLINOIS DEPARTMENT OF TRANSPORTATION
EXISTING TYPICAL SECTIONS
WAR MEMORIAL DRIVE
STA. 39+450.000 TO STA. 40+480.824

DATE 11/12/04

DRAWN BY CADD
CHECKED BY MWP