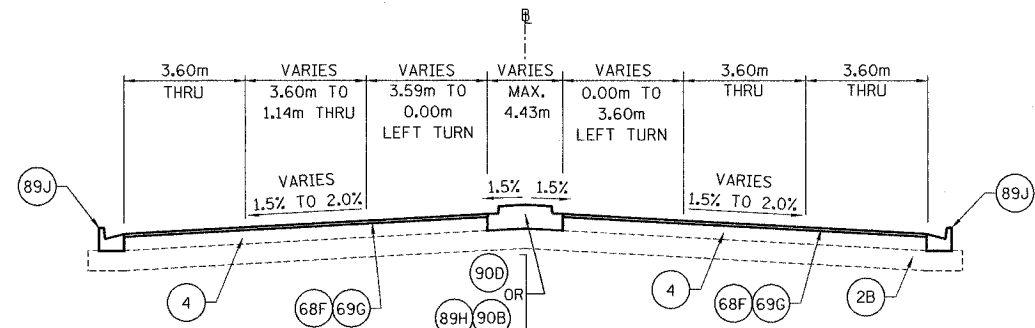
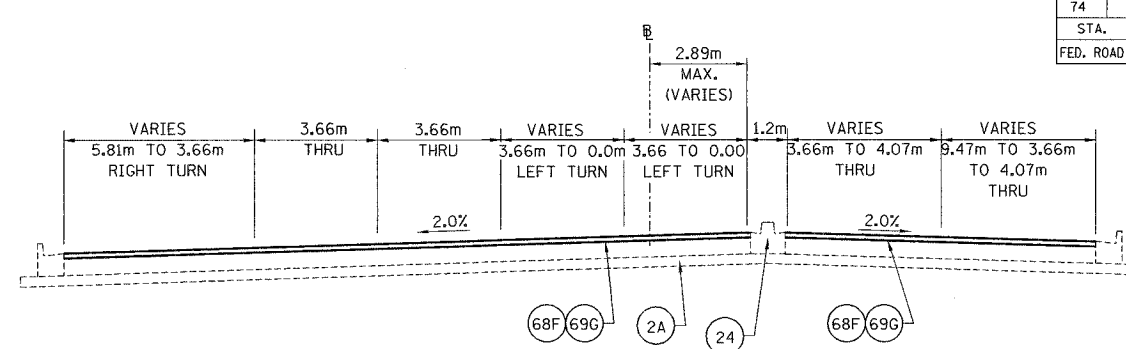


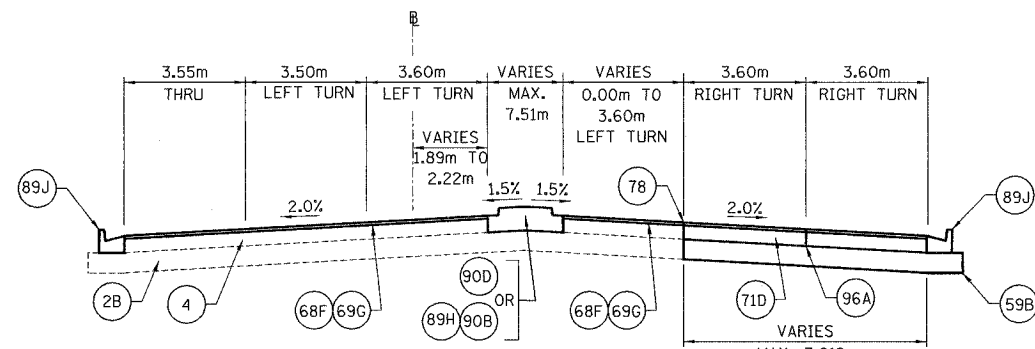
F.A. RTE.	SECTION	COUNTY	TOTAL SHEETS	SHEET NO.
74	(72-TJR-3	PEORIA	1360	47
STA.		TO STA.		
FED. ROAD DIST. NO.		ILLINOIS	FED. AID PROJECT	



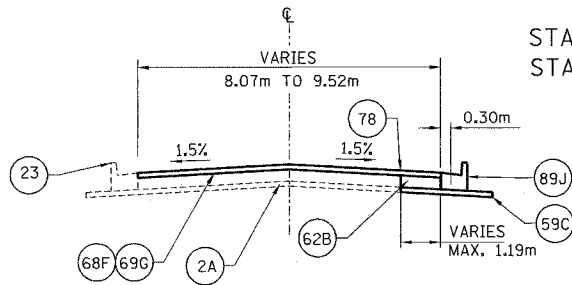
TYPICAL SECTION 1 - SCENIC DRIVE  
STA. 10+050.000 TO STA. 10+109.196



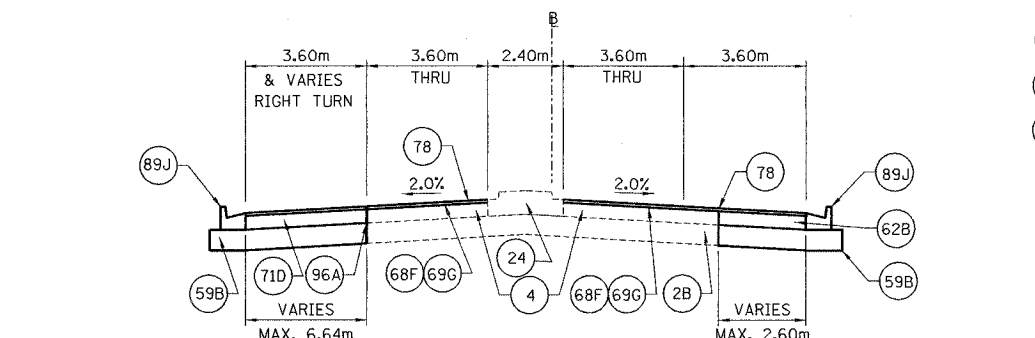
TYPICAL SECTION - GLEN AVE  
STA. 101+030± TO STA. 101+080.457 LT  
STA. 101+030± TO STA. 101+107.062 RT



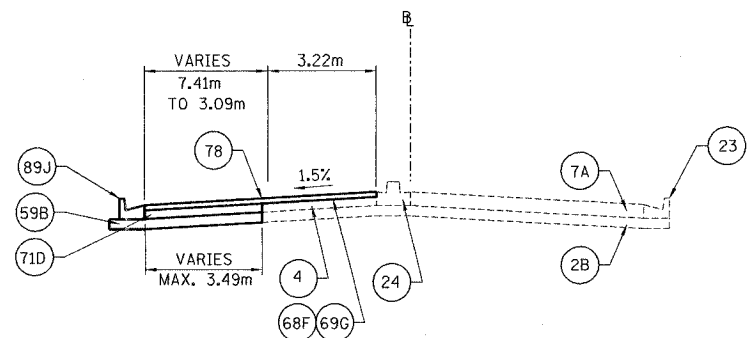
TYPICAL SECTION 2 - SCENIC DRIVE  
STA. 10+109.196 TO STA. 10+238.736



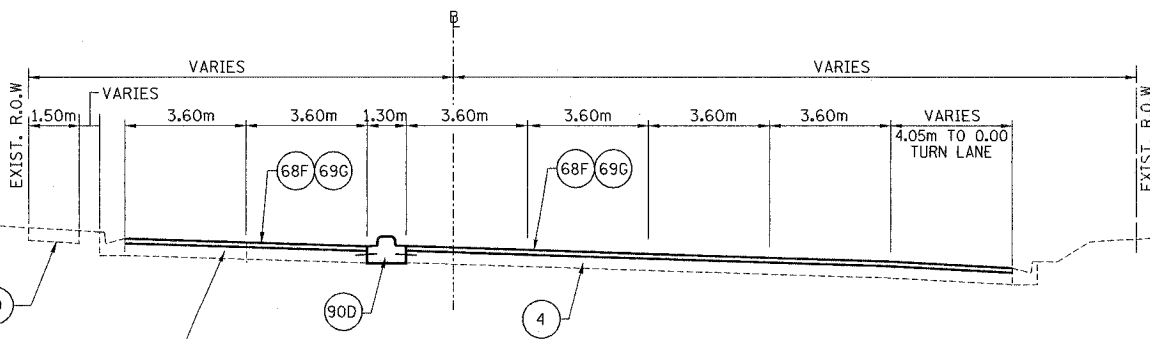
TYPICAL SECTION - BRANDYWINE DRIVE  
LOOKING SOUTH EAST



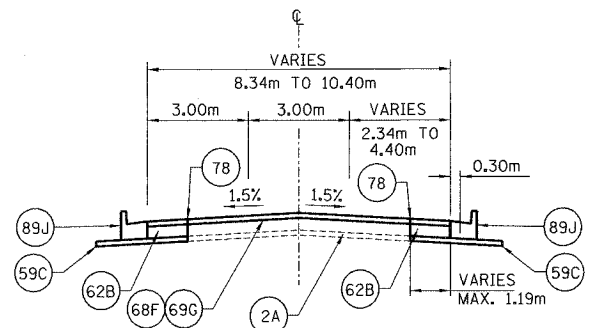
TYPICAL SECTION 3 - SCENIC DRIVE  
STA. 10+238.736 TO STA. 10+288.277



TYPICAL SECTION - NORTH MALL ACCESS  
LOOKING NORTH



TYPICAL SECTION STERLING AVENUE  
STA. 100+910.908 TO STA. 101+020±



TYPICAL SECTION FRONTAGE RD  
STA. 39+346.675 TO STA. 39+391.760

- LEGEND:**
- (2A) EX SUB-BASE GRANULAR MATERIAL, 150mm
  - (2B) EX SUB-BASE GRANULAR MATERIAL, 300mm
  - (4) EX PCC BASE COURSE
  - (7A) EXISTING PCC PAVEMENT, 250mm
  - (23) EX COMBINATION CONCRETE CURB & GUTTER
  - (24) EXISTING CONCRETE MEDIAN
  - (56A) PR FURNISH AND PLACE TOP SOIL 100mm
  - (57A) PR SODDING
  - (59B) PR SUB-BASE GRANULAR MATERIAL, TYPE A 300mm
  - (59C) PR SUB-BASE GRANULAR MATERIAL, TYPE B 150mm
  - (62B) PR PCC BASE COURSE, 240mm
  - (68F) PR POLYMERIZED BITUMINOUS CONCRETE SURFACE COURSE, SUPERPAVE, "MIX E", N70
  - (69G) PR POLYMERIZED BITUMINOUS CONCRETE BINDER COURSE, SUPERPAVE, IL-19.0, N70
  - (71D) PR PORTLAND CEMENT CONCRETE PAVEMENT 250mm (JOINTED)
  - (76A) PR PORTLAND CEMENT CONCRETE SIDEWALK 100mm
  - (78) PR STRIP REFLECTIVE CRACK CONTROL TREATMENT 100mm
  - (89H) PR COMBINATION CONCRETE CURB AND GUTTER, TYPE B-22.30
  - (89J) PR COMBINATION CONCRETE CURB AND GUTTER, TYPE B-22.60
  - (90B) PR CONCRETE MEDIAN SURFACE 100mm
  - (90D) PR CONCRETE MEDIAN, TYPE SB-22.30
  - (96A) PR LONGITUDINAL CONSTRUCTION JOINT
  - (96B) PR SAWED LONGITUDINAL JOINT

NOTE  
1. PLACE EPOXY GROUTED TIE BARS AT 600mm CENTERS FOR ALL LONGITUDINAL JOINTS

REVISIONS	
NAME	DATE

ILLINOIS DEPARTMENT OF TRANSPORTATION  
**TYPICAL SECTIONS**  
WAR MEMORIAL DRIVE  
SIDE STREETS  
DRAWN BY CADD  
CHECKED BY KJW  
DATE 11/12/04

